

UPS-BAT/VRLA/24DC/1.3AH - Battery module



2320296

<https://www.phoenixcontact.com/gb/products/2320296>

Please be informed that the data shown in this PDF document is generated from our online catalog. Please find the complete data in the user documentation. Our general terms of use for downloads are valid.



Battery module, lead AGM, VRLA technology, 24 V DC, 1.3 Ah, tool-free battery replacement, automatic detection, and communication with QUINT UPS-IQ

Product description

For continuous monitoring and intelligent management, there is constant communication with the QUINT UPS. Thanks to automatic detection of the battery module and tool-free switching during operation, quick installation is possible. The battery modules for QUINT UPS with IQ Technology leave the warehouse fully charged.

Your advantages

- Maximum buffer times
- Lead AGM (Absorbent Glass Mat) technology

Commercial data

| | |
|--------------------------------------|--------------------------------|
| Item number | 2320296 |
| Packing unit | 1 pc |
| Minimum order quantity | 1 pc |
| Note | Made to order (non-returnable) |
| Sales key | CMUEV3 |
| Product key | CMUEV3 |
| GTIN | 4046356554176 |
| Weight per piece (including packing) | 2,127.2 g |
| Weight per piece (excluding packing) | 1,700 g |
| Customs tariff number | 85072080 |
| Country of origin | CN |

UPS-BAT/VRLA/24DC/1.3AH - Battery module



2320296

<https://www.phoenixcontact.com/gb/products/2320296>

Technical data

Input data

| | |
|---------------|--------------|
| Input voltage | 24 V DC |
| Buffer period | 20 min (2 A) |
| | 5 min (5 A) |

Output data

| | |
|---------------------------|---------|
| Nominal output voltage | 24 V DC |
| Output current I_{\max} | 15 A |
| Output fuse | 1x 15 A |
| Connection in parallel | 5 |
| | 5 |
| Connection in series | no |

Battery operation

| | |
|----------------------------------|---------|
| Nominal output voltage | 24 V DC |
| Nominal output current (I_N) | 15 A |

Energy storage

| | |
|---------------------------------------|---|
| End-of-charge voltage | 27.6 V (20 °C) |
| Charging current | 1 A |
| Nominal capacity | 1.3 Ah |
| Battery module service life | 6 Years ... 9 Years (20 °C) |
| Latest startup date (battery only) | 3 Months (0 °C ... 20 °C) |
| | 1 Months (30 °C ... 40 °C) |
| Latest startup (battery only) - range | 1 Months ... 3 Months (20 °C ... 30 °C) |
| Battery technology | VRLA-AGM |
| Memory medium | Lead rechargeable battery module |
| Accumulator type | Panasonic LC-R121R3PG |
| Number of cells | 1 |
| Size designation | Block |
| Battery pack | yes |
| IQ technology | Yes |
| Temperature sensor | yes |
| Suitable for fast charging | yes |

Product properties

| | |
|----------------|---|
| Product type | Battery module |
| Product family | Battery module (device with battery) |
| Disposal | Used batteries must not be thrown away with household waste, they should instead be disposed of in accordance with applicable national regulations. |
| IQ technology | Yes |

UPS-BAT/VRLA/24DC/1.3AH - Battery module



2320296

<https://www.phoenixcontact.com/gb/products/2320296>

Insulation characteristics

| | |
|---------------------|-----|
| Protection class | III |
| Degree of pollution | 2 |

Dimensions

| | |
|--------|--------|
| Width | 54 mm |
| Height | 157 mm |
| Depth | 113 mm |

Mounting

| | |
|-------------------|-------------------------------------|
| Mounting position | horizontal DIN rail NS 35, EN 60715 |
|-------------------|-------------------------------------|

Material specifications

| | |
|------------------|---------------------------------------|
| Housing material | Metal |
| Type of housing | Galvanized sheet steel, powder-coated |

Environmental and real-life conditions

Ambient conditions

| | |
|--|---|
| Degree of protection | IP20 |
| Ambient temperature (operation) | 0 °C ... 40 °C |
| Ambient temperature (storage/transport) | 0 °C ... 40 °C |
| Max. permissible relative humidity (operation) | ≤ 95 % |
| Shock | 18 ms, 30g, in each space direction (according to IEC 60068-2-27) |
| Vibration (operation) | < 15 Hz, amplitude ±2,5 mm, 15 Hz ... 150 Hz, according to IEC 60068-2-6 15 Hz ... 150 Hz, 2.3g, 90 min. |

Standards and regulations

| | |
|------------------------------|-----------------------|
| Standard - Electrical safety | EN 62368-1/VDE 0868-1 |
|------------------------------|-----------------------|

Approvals

| | |
|--------------|--|
| UL approvals | UL/C-UL listed UL 508 |
| | UL/C-UL Recognized UL 60950-1 |
| | UL ANSI/ISA-12.12.01 Class I, Division 2, Groups A, B, C, D (Hazardous Location) |
| VdS approval | G 196049 |

Ex data

| | |
|----------------------------|----|
| Suited for EX-applications | no |
|----------------------------|----|

UPS-BAT/VRLA/24DC/1.3AH - Battery module

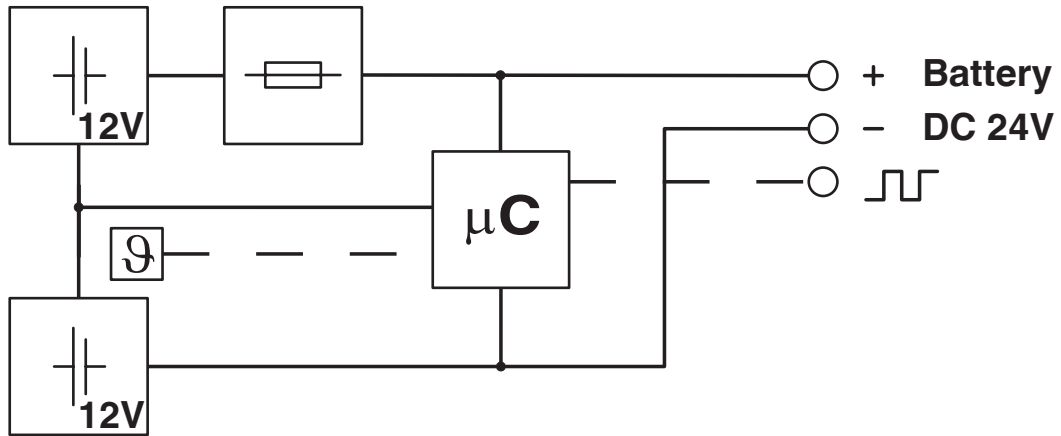


2320296

<https://www.phoenixcontact.com/gb/products/2320296>

Drawings

Block diagram



UPS-BAT/VRLA/24DC/1.3AH - Battery module



2320296

<https://www.phoenixcontact.com/gb/products/2320296>

Classifications

UNSPSC

| | |
|-------------|----------|
| UNSPSC 21.0 | 26111715 |
|-------------|----------|

UPS-BAT/VRLA/24DC/1.3AH - Battery module



2320296

<https://www.phoenixcontact.com/gb/products/2320296>

Environmental product compliance

China RoHS

| | |
|--|---|
| Environment friendly use period (EFUP) | EFUP-3 An article-related China RoHS declaration table can be found in the download area for the respective article under "Manufacturer declaration". For all articles with EFUP-E, no China RoHS declaration table issued and required. |
|--|---|

EU REACH SVHC

| | |
|-------------------------------------|----------------------------|
| REACH candidate substance (CAS No.) | No substance above 0.1 wt% |
|-------------------------------------|----------------------------|

Phoenix Contact 2026 © - all rights reserved
<https://www.phoenixcontact.com>

PHOENIX CONTACT Ltd
Halesfield 13, Telford
Shropshire, TF7 4PG
01952 681700
info@phoenixcontact.co.uk