

MINI-PS- 12- 24DC/ 5-15DC/2 - DC/DC converter



2320018

<https://www.phoenixcontact.com/gb/products/2320018>

Please be informed that the data shown in this PDF document is generated from our online catalog. Please find the complete data in the user documentation. Our general terms of use for downloads are valid.



Please use the following item in new systems: 1066704.

Primary-switched MINI DC/DC converter for DIN rail mounting, input: 12 V DC ... 24 V DC, output: 5 V DC ... 15 V DC/2 A

Product description

MINI DC/DC converter for MCR technology.

DC/DC converters alter the voltage level, regenerate the voltage at the end of long cables or enable the creation of independent supply systems by means of electrical isolation.

Your advantages

- Electrical isolation: for setting up independent supply systems
- Support conversion to various voltage levels
- Constant voltage: output voltage regenerated even at the end of long cables

Commercial data

Item number	2320018
Packing unit	1 pc
Minimum order quantity	1 pc
Sales key	CMDM42
Product key	CMDM42
GTIN	4046356478519
Weight per piece (including packing)	231 g
Weight per piece (excluding packing)	200 g
Customs tariff number	85044095
Country of origin	CN

Technical data

Input data

DC operation

Nominal input voltage range	12 V DC ... 24 V DC
Input voltage range	10 V DC ... 32 V DC (> 10.5 V DC start)
Wide-range input	yes
Input voltage range DC	10 V DC ... 32 V DC (> 10.5 V DC start)
Voltage type of supply voltage	DC
Inrush current	< 10 A (typical)
Inrush current integral (I^2t)	0.2 A ² s
Frequency range DC	0 Hz
Mains buffering time	typ. 4 ms (12 V DC) typ. 18 ms (24 V DC)
Current consumption	2.3 A (12 V DC) 1.1 A (24 V DC)
Typical response time	< 0.5 s
Input fuse	6.3 A (slow-blow, internal)

Output data

Efficiency	> 88 % (at 24 V DC and nominal values)
Output characteristic	U/I
Nominal output voltage	12 V DC \pm 1 %
Setting range of the output voltage (U_{Set})	5 V DC ... 15 V DC
Nominal output current (I_N)	2 A (-25 °C ... 60 °C)
Derating	60 °C ... 70 °C (2.5 %/K)
Feedback voltage resistance	30 V DC
Protection against overvoltage at the output (OVP)	< 25 V DC
Residual ripple	< 20 mV _{PP} (20 MHz)
Output power	24 W
Peak switching voltages nominal load	< 10 mV _{PP} (20 MHz)
Maximum no-load power dissipation	< 1 W
Power loss nominal load max.	< 4.2 W
Connection in parallel	yes, for assembling redundant systems and increasing efficiency
Connection in series	yes
Fuse protection (secondary side)	electronic

Signal: DC OK active

Output description	$U_{OUT} > 0.9 \times U_N$: High signal
Continuous load current	\leq 20 mA

Connection data

Input

MINI-PS- 12- 24DC/ 5-15DC/2 - DC/DC converter



2320018

<https://www.phoenixcontact.com/gb/products/2320018>

Connection method	Pluggable screw connection
Conductor cross-section, rigid min.	0.2 mm ²
Conductor cross-section, rigid max.	2.5 mm ²
Conductor cross-section flexible min.	0.2 mm ²
Conductor cross-section flexible max.	2.5 mm ²
Conductor cross-section AWG min.	24
Conductor cross-section AWG max.	14
Stripping length	7 mm
Screw thread	M3
Tightening torque, min	0.5 Nm
Tightening torque max	0.6 Nm

Output

Connection method	Pluggable screw connection
Conductor cross-section, rigid min.	0.2 mm ²
Conductor cross-section, rigid max.	2.5 mm ²
Conductor cross-section flexible min.	0.2 mm ²
Conductor cross-section flexible max.	2.5 mm ²
Conductor cross-section AWG min.	24
Conductor cross-section AWG max.	14
Stripping length	7 mm
Screw thread	M3
Tightening torque, min	0.5 Nm
Tightening torque max	0.6 Nm

Signal

Conductor cross-section, rigid min.	0.2 mm ²
Conductor cross-section, rigid max.	2.5 mm ²
Conductor cross-section flexible min.	0.2 mm ²
Conductor cross-section flexible max.	2.5 mm ²
Conductor cross-section AWG min.	24
Conductor cross-section AWG max.	14
Screw thread	M3
Tightening torque, min	0.5 Nm
Tightening torque max	0.6 Nm

Signaling

Types of signaling	LED
	Active switching output

Signal output: DC OK active

Status display	"DC OK" LED green
Note on status display	$U_{OUT} > 0.9 \times U_N$: LED ON
Color	green
Note on status display	LED on

MINI-PS- 12- 24DC/ 5-15DC/2 - DC/DC converter



2320018

<https://www.phoenixcontact.com/gb/products/2320018>

Electrical properties

Number of phases	1
Insulation voltage input/output	1.5 kV (type test)
	1 kV (routine test)

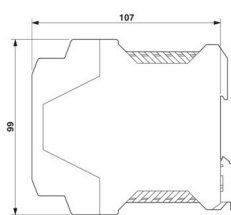
Product properties

Product type	DC/DC converters
Product family	MINI POWER
MTBF (IEC 61709, SN 29500)	> 2072000 h (40 °C)

Insulation characteristics

Protection class	III
Degree of pollution	2

Dimensions

Dimensional drawing	
Width	22.5 mm
Height	99 mm
Depth	107 mm

Installation dimensions

Installation distance right/left	0 mm / 0 mm ($\leq 70\text{ °C}$)
Installation distance top/bottom	50 mm / 50 mm ($\leq 70\text{ °C}$)

Mounting

Assembly note	alignable: horizontally 0 mm, vertically 50 mm
Mounting position	horizontal DIN rail NS 35, EN 60715
With protective coating	no

Material specifications

Housing material	Plastic
Housing material	PA
Type of housing	Polyamide PA, color: green

Environmental and real-life conditions

Ambient conditions

Degree of protection	IP20
Ambient temperature (operation)	-25 °C ... 70 °C (> +60°C derating)

MINI-PS- 12- 24DC/ 5-15DC/2 - DC/DC converter



2320018

<https://www.phoenixcontact.com/gb/products/2320018>

Ambient temperature (storage/transport)	-40 °C ... 85 °C
Climatic class	3K3 (in acc. with EN 60721)
Max. permissible relative humidity (operation)	≤ 95 % (at +25 °C, non-condensing)
Shock	18 ms, 30g, in each space direction (according to IEC 60068-2-27)
Vibration (operation)	< 15 Hz, amplitude ±2.5 mm (according to IEC 60068-2-6) 15 Hz ... 150 Hz, 2.3g

Standards and regulations

Rail applications	EN 50121-4
Standard – Electronic equipment for use in electrical power installations and their assembly into electrical power installations	EN 50178/VDE 0160 (PELV)
Standard - Electrical safety	EN 60950-1/VDE 0805 (SELV)
Standard - Safe isolation	DIN VDE 0100-410 DIN VDE 0106-101

Approvals

CSA	CSA-C22.2 No. 107.1-01
UL approvals	UL/C-UL listed UL 508 UL/C-UL Recognized UL 60950-1 UL ANSI/ISA-12.12.01 Class I, Division 2, Groups A, B, C, D (Hazardous Location)

EMC data

Electromagnetic compatibility	Conformance with EMC Directive 2014/30/EU
Low Voltage Directive	Conformance with Low Voltage Directive 2014/35/EC
EMC requirements for noise emission	EN 61000-6-3 EN 61000-6-4
EMC requirements for noise immunity	EN 61000-6-1 EN 61000-6-2

Noise emission

Standards/regulations	EN 55011 (EN 55022)
-----------------------	---------------------

Electrostatic discharge

Standards/regulations	EN 61000-4-2
Housing	> Level 3

Electrostatic discharge

Contact discharge	8 kV (Contact discharge)
Discharge in air	8 kV (Air discharge)
Comments	Criterion B

Electromagnetic HF field

Standards/regulations	EN 61000-4-3
-----------------------	--------------

Electromagnetic HF field

MINI-PS- 12- 24DC/ 5-15DC/2 - DC/DC converter



2320018

<https://www.phoenixcontact.com/gb/products/2320018>

Frequency range	80 MHz ... 3 GHz
Test field strength	10 V/m
Comments	Criterion A

Fast transients (burst)

Standards/regulations	EN 61000-4-4
-----------------------	--------------

Fast transients (burst)

Input	4 kV (level 4 - asymmetrical: conductor to ground)
Output	2 kV (level 3 - asymmetrical: conductor to ground)
Signal	1 kV (Level 2 - asymmetrical cable to ground)
Comments	Criterion B

Surge voltage load (surge)

Standards/regulations	EN 61000-4-5
-----------------------	--------------

Conducted interference

Standards/regulations	EN 61000-4-6
-----------------------	--------------

Conducted interference

Input/Output	Level 3
Frequency range	0.15 MHz ... 80 MHz (10 V)

Voltage dips

Standards/regulations	EN 61000-4-11
-----------------------	---------------

Emitted interference

Standards/regulations	EN 61000-6-3
Radio interference voltage in acc. with EN 55011	EN 55011 (EN 55022) Class B, area of application: Industry and residential
Emitted radio interference in acc. with EN 55011	EN 55011 (EN 55022) Class B, area of application: Industry and residential

MINI-PS- 12- 24DC/ 5-15DC/2 - DC/DC converter

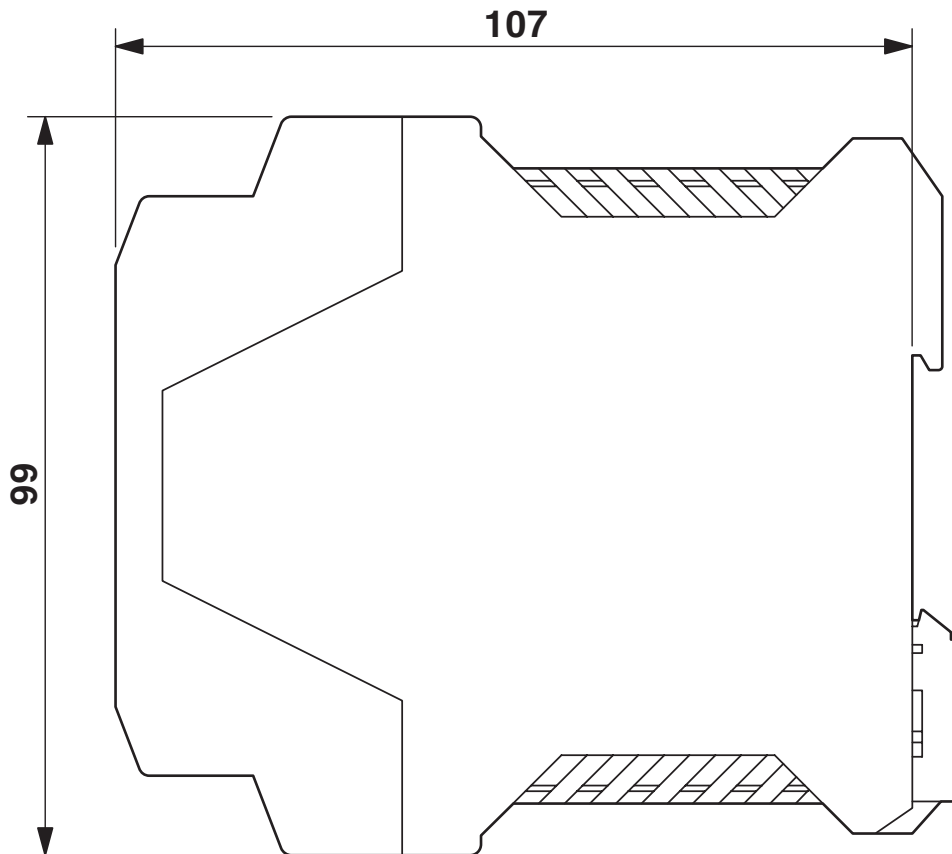


2320018

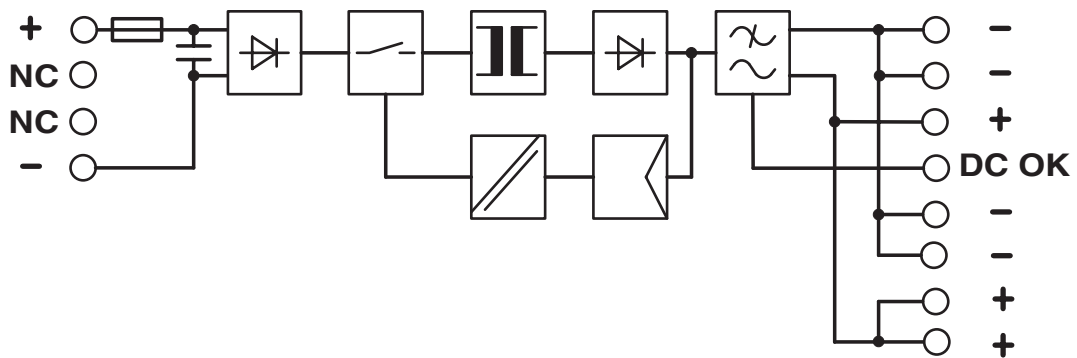
<https://www.phoenixcontact.com/gb/products/2320018>

Drawings

Dimensional drawing



Block diagram



2320018

<https://www.phoenixcontact.com/gb/products/2320018>

Approvals

To download certificates, visit the product detail page: <https://www.phoenixcontact.com/gb/products/2320018>



cUL Recognized
Approval ID: FILE E 211944



UL Recognized
Approval ID: E211944



EAC
Approval ID: RU S-DE.BL08.W.00764



UL Listed
Approval ID: E123528



cUL Listed
Approval ID: E123528

CoC / Compliance Statement

Approval ID: 19-004-01



cUL Listed
Approval ID: E199827



UL Listed
Approval ID: E199827

MINI-PS- 12- 24DC/ 5-15DC/2 - DC/DC converter



2320018

<https://www.phoenixcontact.com/gb/products/2320018>

Classifications

ECLASS

ECLASS-13.0	27040701
ECLASS-15.0	27040701

ETIM

ETIM 10.0	EC002540
-----------	----------

UNSPSC

UNSPSC 21.0	39121000
-------------	----------

2320018

<https://www.phoenixcontact.com/gb/products/2320018>

Environmental product compliance

EU RoHS

Fulfills EU RoHS substance requirements	Yes
Exemption	7(a), 7(c)-I

China RoHS

Environment friendly use period (EFUP)	EFUP-25
	An article-related China RoHS declaration table can be found in the download area for the respective article under "Manufacturer declaration". For all articles with EFUP-E, no China RoHS declaration table issued and required.

EU REACH SVHC

REACH candidate substance (CAS No.)	Lead(CAS: 7439-92-1)
SCIP	2350ef3a-62c5-4b86-a136-b61d660c3ebc

EF3.1 Climate Change

CO2e kg	2.23 kg CO2e
---------	--------------

Phoenix Contact 2026 © - all rights reserved
<https://www.phoenixcontact.com>

PHOENIX CONTACT Ltd
Halesfield 13, Telford
Shropshire, TF7 4PG
01952 681700
info@phoenixcontact.co.uk