

# FLKM 50-PA-AB/1756/EXTC - Front adapter



2302735

<https://www.phoenixcontact.com/gb/products/2302735>

Please be informed that the data shown in this PDF document is generated from our online catalog. Please find the complete data in the user documentation. Our general terms of use for downloads are valid.



VARIOFACE front adapters, for Allen Bradley ControlLogix and Honeywell PlantScape, max. 1 x 32 channels can be connected. The front adapters are pushed into the high 1756-TBE hoods (not supplied as standard).

## Commercial data

Item number	2302735
Packing unit	1 pc
Minimum order quantity	1 pc
Note	Made to order (non-returnable)
Sales key	DK231R
Product key	DK231R
GTIN	4017918910488
Weight per piece (including packing)	68 g
Weight per piece (excluding packing)	39.5 g
Customs tariff number	85369010
Country of origin	DE

# FLKM 50-PA-AB/1756/EXTC - Front adapter



2302735

<https://www.phoenixcontact.com/gb/products/2302735>

## Technical data

### Product properties

Product type	Front adapter
Product family	VARIOFACE

### Insulation characteristics: Air clearances and creepage distances

Insulation	Functional insulation
Overvoltage category	II
Pollution degree	2

### Electrical properties

Operating voltage (AC)	≤ 30 V AC
Operating voltage (DC)	≤ 60 V DC
Nominal operating mode	100% operating factor
Current (per branch)	≤ 1 A
Current (Voltage supply via screw connection)	≤ 8 A

### Air clearances and creepage distances

Rated insulation voltage	63 V
Rated surge voltage	0.6 kV (1.2/50 μs)

### Supported controller: ALLEN-BRADLEY ControlLogix

Suitable I/O card	1756-IA16I
	1756-IB16D
	1756-IB16I
	1756-IH16I
	1756-OB32
	1756-IF8
	1756-IF16
	1756-HSC
	1756-M02AE
	1756-IF8H

### Supported controller: HONEYWELL Experion PKS C200

Suitable I/O card	TC-IDJ 161
	TC-IDX 161
	TC-IDK 161
	TC-ODD 321
	TC-IAH 161

### Connection data

#### Connection 1 (control level)

Connection method	Plug-in connection
Number of positions	36

# FLKM 50-PA-AB/1756/EXTC - Front adapter



2302735

<https://www.phoenixcontact.com/gb/products/2302735>

## Connection 2 (field level)

Connection in acc. with standard	IEC 60603-13
Connection method	IDC/FLK pin strip
Number of connections	1
Number of positions	50
Insertion/withdrawal cycles	> 50
Pitch	2.54 mm

## Connection 3 (supply)

Connection method	Screw connection
Stripping length	7 mm
Screw thread	M3
Number of positions	4
Conductor cross-section rigid	0.14 mm <sup>2</sup> ... 1.5 mm <sup>2</sup>
Conductor cross-section rigid (2 conductors with same cross section)	0.08 mm <sup>2</sup> ... 0.5 mm <sup>2</sup>
Conductor cross-section flexible	0.14 mm <sup>2</sup> ... 1.5 mm <sup>2</sup>
	0.25 mm <sup>2</sup> ... 1.5 mm <sup>2</sup> (Ferrule without plastic sleeve)
	0.25 mm <sup>2</sup> ... 0.75 mm <sup>2</sup> (Ferrule with plastic sleeve)
Conductor cross-section flexible (2 conductors with same cross section)	0.08 mm <sup>2</sup> ... 0.75 mm <sup>2</sup>
	0.25 mm <sup>2</sup> ... 0.34 mm <sup>2</sup> (Ferrule without plastic sleeve)
	0.5 mm <sup>2</sup> ... 0.5 mm <sup>2</sup> (TWIN ferrule with plastic sleeve)
Conductor cross-section AWG	28 ... 16
Tightening torque	0.22 Nm ... 0.25 Nm
Pitch	3.81 mm

## Environmental and real-life conditions

### Ambient conditions

Degree of protection (Module)	IP00
Degree of protection (Installation location)	≥ IP54
Ambient temperature (operation)	-20 °C ... 50 °C
Ambient temperature (storage/transport)	-20 °C ... 70 °C
Altitude	≤ 2000 m

## Standards and regulations

### Air clearances and creepage distances

Standards/regulations	EN IEC 60664-1
-----------------------	----------------

## Mounting

Mounting type	Plug-in mounting
Mounting position	any

## Notes

Notes on operation	For proper use, the specifications of the installation directive (see
--------------------	---

# FLKM 50-PA-AB/1756/EXTC - Front adapter



2302735

<https://www.phoenixcontact.com/gb/products/2302735>

Downloads) must be observed. For applications or use with third-party products, the specifications, and the safety and warning instructions of the respective third-party manufacturer must also be met.

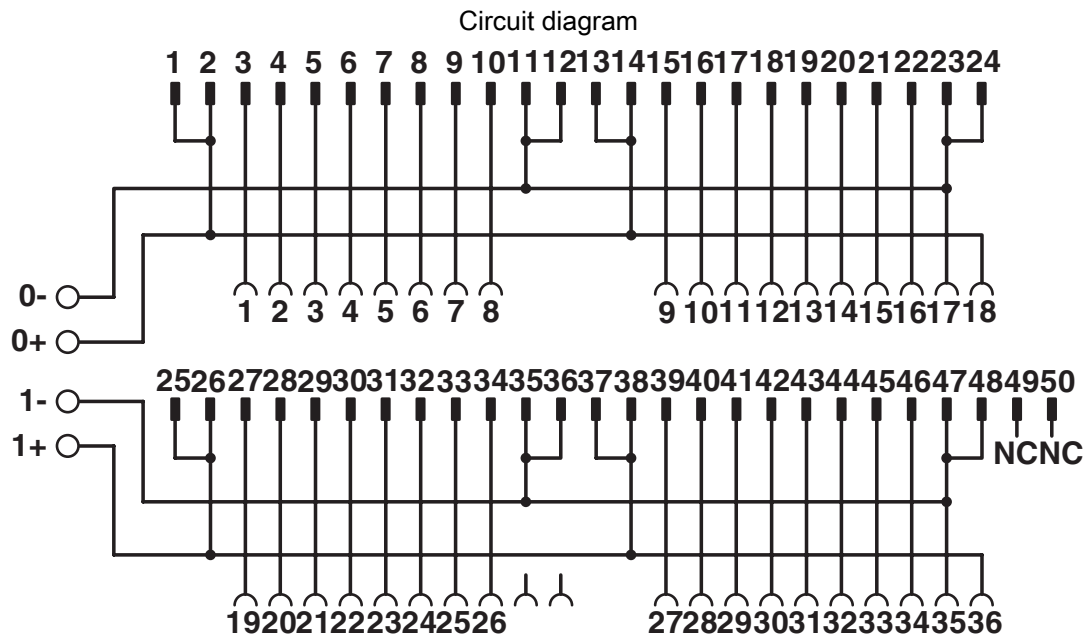
# FLKM 50-PA-AB/1756/EXTC - Front adapter



2302735

<https://www.phoenixcontact.com/gb/products/2302735>

## Drawings



Connection scheme FLKM 50-PA-AB/1756/EXTC

# FLKM 50-PA-AB/1756/EXTC - Front adapter





2302735

<https://www.phoenixcontact.com/gb/products/2302735>

## Approvals

To download certificates, visit the product detail page: <https://www.phoenixcontact.com/gb/products/2302735>

 <b>cUL Recognized</b> Approval ID: E238705				
	Nominal voltage $U_N$	Nominal current $I_N$	Cross section AWG	Cross section $\text{mm}^2$
keine				
	125 V	1 A	-	-

 <b>UL Recognized</b> Approval ID: E238705				
	Nominal voltage $U_N$	Nominal current $I_N$	Cross section AWG	Cross section $\text{mm}^2$
keine				
	125 V	1 A	-	-

# FLKM 50-PA-AB/1756/EXTC - Front adapter



2302735

<https://www.phoenixcontact.com/gb/products/2302735>

## Classifications

### ECLASS

ECLASS-13.0	27242292
ECLASS-15.0	27242292

### ETIM

ETIM 10.0	EC002584
-----------	----------

### UNSPSC

UNSPSC 21.0	32151600
-------------	----------

2302735

<https://www.phoenixcontact.com/gb/products/2302735>

## Environmental product compliance

### EU RoHS

Fulfills EU RoHS substance requirements	Yes
Exemption	6(c)

### China RoHS

Environment friendly use period (EFUP)	EFUP-50
	An article-related China RoHS declaration table can be found in the download area for the respective article under "Manufacturer declaration". For all articles with EFUP-E, no China RoHS declaration table issued and required.

### EU REACH SVHC

REACH candidate substance (CAS No.)	Lead(CAS: 7439-92-1)
SCIP	7501dc8c-45b7-4262-a564-d154af3cbbf2

Phoenix Contact 2026 © - all rights reserved

<https://www.phoenixcontact.com>

PHOENIX CONTACT Ltd  
Halesfield 13, Telford  
Shropshire, TF7 4PG  
01952 681700  
[info@phoenixcontact.co.uk](mailto:info@phoenixcontact.co.uk)