

AXL SE PM - Function module



1768313

<https://www.phoenixcontact.com/gb/products/1768313>

Please be informed that the data shown in this PDF document is generated from our online catalog. Please find the complete data in the user documentation. Our general terms of use for downloads are valid.



Axioline Smart Elements, Function module, Power measurement; degree of protection: IP20; Voltage input: up to 480 V AC (phase/neutral conductor) or 830 V AC (phase/phase), Current input: up to 5 A AC

Product description

You can integrate Axioline Smart Elements into systems with the Smart Element interface. The power measurement module is used for measurement of AC currents up to 5 A, including neutral conductor current and phase voltages up to 480 V AC (phase/neutral conductor) or phase-to-phase voltages up to 830 V AC (phase/phase). The module is used to measure essential grid variables in AC power grids. You can use it in distribution systems for measuring current, voltage, and power, for example. Feed in the current of the three phases via a transformer.

Your advantages

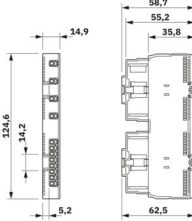
- 4 inputs, 0 A AC ... 5 A AC for phase currents and neutral conductor current, connection via current transformer supported
- 4 inputs for phase-to-phase voltages up to 830 V AC and neutral conductor voltage, direct connection supported
- Also suitable for use in IT networks

Commercial data

Item number	1768313
Packing unit	1 pc
Minimum order quantity	1 pc
Note	Made to order (non-returnable)
Sales key	DRIB65
Product key	DRIB65
GTIN	4067923379534
Weight per piece (including packing)	75.7 g
Weight per piece (excluding packing)	69 g
Country of origin	Information on the country of origin is provided with the delivery.

Technical data

Dimensions

Dimensional drawing	
Width	14.9 mm
Height	124.6 mm
Depth	62.5 mm

Material specifications

Color (Housing)	gray (RAL 7042)
-----------------	-----------------

Interfaces

Smart Element interface

Number of interfaces	2
Connection method	Card edge connector
Transmission speed	See system in which you use the Smart Element.
Start time until ready to operate	< 500 ms

System properties

Programming data (LocalbusSlave)

Input address area	64 Byte
Output address area	0 Byte

Input data

Measurement: voltage

Input name	Voltage measuring input
Description of the input	Detection of phase voltages U1 ... U3, for phase-to-phase voltages up to 830 V AC (phase/phase), direct connection supported
Number of inputs	4

Measurement: Current

Input name	Current measuring input
Description of the input	Acquisition of currents I1 ... I3 and IN, connection via external current transformers
Number of inputs	4

1768313

<https://www.phoenixcontact.com/gb/products/1768313>

Product properties

Product type	I/O component
Product family	Axioline Smart Elements
Type	modular
Mounting position	See the system in which the Smart Element is used.
Operating mode	Process data mode with 32 words
Special properties	Voltage input: up to 480 V AC (phase/neutral conductor) or 830 V AC (phase/phase) Current input: up to 5 A AC

Insulation characteristics

Pollution degree	2 (IEC 60664-1, EN 60664-1)
------------------	-----------------------------

Electrical properties

Maximum power dissipation for nominal condition	3 W
---	-----

Potentials: Communications power supply of the Smart Elements (U_{SE})

Supply voltage	using card edge connectors
----------------	----------------------------

Electrical isolation/isolation of the voltage ranges

Test voltage: Supply for logic/peripheral range AC	1800 V AC, 50 Hz, 1 min
Test voltage: Communications supply / functional ground	500 V AC, 50 Hz, 1 min
Test voltage: Peripheral range for AC/functional ground	1800 V AC, 50 Hz, 1 min

Connection data

Connection technology

Connection name	I/O
Note on the connection method	Please observe the information provided on conductor cross-sections in the "Axioline Smart Elements" user manual. Applications with UL approval: only use copper conductors.

I/O

Connection method	Push-in connection
Note on the connection method	Please observe the information provided on conductor cross-sections in the "Axioline Smart Elements" user manual. Applications with UL approval: only use copper conductors.
Conductor cross-section, rigid	0.25 mm ² ... 1.5 mm ²
Conductor cross-section, flexible	0.25 mm ² ... 1.5 mm ²
Conductor cross-section AWG	24 ... 16
Conductor cross-section, flexible, with ferrule, with plastic sleeve	0.25 mm ² ... 0.75 mm ²
Conductor cross-section, flexible, with ferrule, without plastic sleeve	0.25 mm ² ... 1.5 mm ² 0.25 mm ² ... 1.5 mm ²
Conductor cross-section, flexible, with ferrule, with plastic sleeve	0.25 mm ² ... 0.75 mm ²
Stripping length	8 mm

Environmental and real-life conditions

AXL SE PM - Function module



1768313

<https://www.phoenixcontact.com/gb/products/1768313>

Ambient conditions

Ambient temperature (operation)	-25 °C ... 60 °C
Degree of protection	IP20
Air pressure (operation)	70 kPa ... 106 kPa (up to 3000 m above sea level)
Air pressure (storage/transport)	70 kPa ... 106 kPa (up to 3000 m above sea level)
Ambient temperature (storage/transport)	-40 °C ... 85 °C
Permissible humidity (operation)	5 % ... 95 % (non-condensing)
Permissible humidity (storage/transport)	5 % ... 95 % (non-condensing)

Mechanical test

Vibration resistance in accordance with EN 60068-2-6/IEC 60068-2-6	5g
Shock in accordance with EN 60068-2-27/IEC 60068-2-27	30g
Continuous shock in accordance with EN 60068-2-27/IEC 60068-2-27	10g

Standards and regulations

Protection class	II
------------------	----

Mounting

Mounting type	Plug-in mounting (Smart Element slot)
Mounting position	See the system in which the Smart Element is used.

AXL SE PM - Function module

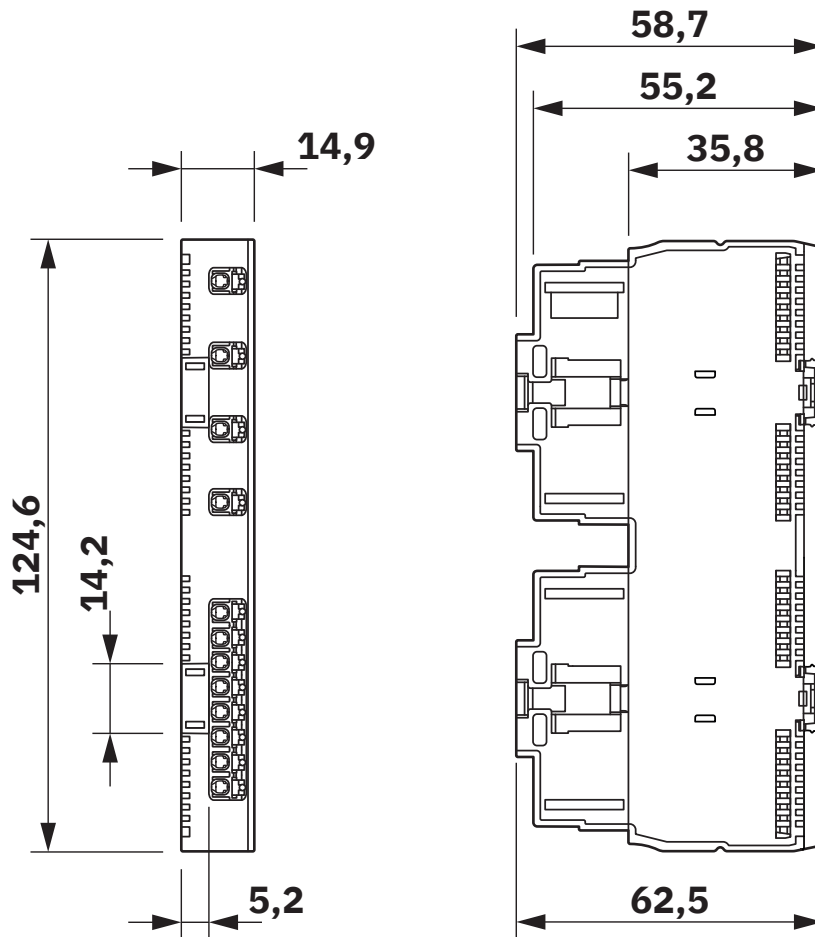
1768313

<https://www.phoenixcontact.com/gb/products/1768313>



Drawings

Dimensional drawing



Dimensions (in mm)

AXL SE PM - Function module

1768313

<https://www.phoenixcontact.com/gb/products/1768313>



Classifications

ECLASS

ECLASS-15.0	27242605
-------------	----------

1768313

<https://www.phoenixcontact.com/gb/products/1768313>

Environmental product compliance

EU RoHS

Fulfills EU RoHS substance requirements	Yes
Exemption	7(a), 7(c)-I

China RoHS

Environment friendly use period (EFUP)	EFUP-50
	An article-related China RoHS declaration table can be found in the download area for the respective article under "Manufacturer declaration". For all articles with EFUP-E, no China RoHS declaration table issued and required.

EU REACH SVHC

REACH candidate substance (CAS No.)	Lead(CAS: 7439-92-1)
	Bis(α , α -dimethylbenzyl) peroxide(CAS: 80-43-3)

Phoenix Contact 2026 © - all rights reserved

<https://www.phoenixcontact.com>

PHOENIX CONTACT Ltd
Halesfield 13, Telford
Shropshire, TF7 4PG
01952 681700
info@phoenixcontact.co.uk