

PSR-MC73-5NO-1DO-24DC-PI - Safety relays



1734498

<https://www.phoenixcontact.com/gb/products/1734498>

Please be informed that the data shown in this PDF document is generated from our online catalog. Please find the complete data in the user documentation. Our general terms of use for downloads are valid.



Safety relay for emergency stop, safety doors, light grids up to SIL 3, Cat. 4, PL e, 1- or 2-channel operation, cross-circuit detection, can be retriggered, off-/on delay of 0.2 s to 300 s, 5 enabling current paths, $U_S = 24$ V DC, plug-in Push-in terminal block

Product description

The safety relay PSR-MC73 is designed to monitor various items of safety equipment, e.g., emergency stop, safety doors, or light grids. Despite its compact overall width of 22.5 mm, the device offers the option of setting release or on delays with high accuracy in the range from 0.2 s to 300 s. In addition, the delay time can be reset using the adjustable retrigger function when the safety function is demanded.

Your advantages

- Up to Cat. 4/PL e in accordance with EN ISO 13849-1, SIL 3 in accordance with EN IEC 62061
- Low housing width of only 22.5mm
- 1 or 2-channel control
- 2 enabling current paths (adjustable, retriggerable release or on delay), 1 digital signal output
- Adjustable delay time from 0.2 s ... 300 s

Commercial data

Item number	1734498
Packing unit	1 pc
Minimum order quantity	1 pc
Note	Made to order (non-returnable)
Sales key	DNA1A3
Product key	DNA1A3
GTIN	4067923292482
Weight per piece (including packing)	230 g
Weight per piece (excluding packing)	208 g
Customs tariff number	85371098
Country of origin	DE

Technical data

Notes

Note on application

Note on application	Only for industrial use
---------------------	-------------------------

Product properties

Product type	Safety relays
Product family	PSRcompact
Application	Emergency stop
	Safety door
	Light grid
Control	1 and 2 channel
Relay type	Electromechanical relay with force-guided contacts in accordance with IEC/EN 61810-3

Insulation characteristics

Overvoltage category	II, III (See the section "Insulation coordination")
Degree of pollution	2

Times

Typical response time	< 50 ms (automatic start)
	< 50 ms (manual, monitored start)
Typ. starting time with U_S	500 ms (with U_S when controlled via A1)
Typical release time	< 25 ms (when controlled via S12 and S22 (only for undelayed contacts))
	< 10 ms (when controlled via A1; applicative deactivation via A1/A2 is not permitted)
Delay time range	0.2 s ... 300 s $\pm 5\%$ (can be set for 47/48, 57/58)
Restart time	< 1 s (Boot time)
Recovery time	500 ms (following demand of the safety function)
	100 ms (Availability time after activating the sensor circuit during manual start)
Start pulse length	min. 500 ms (manual start)

Electrical properties

Maximum power dissipation for nominal condition	9.91 W (at $U_S = 30\text{ V}$, $I_L^2 = 144\text{ A}^2$)
Nominal operating mode	100% operating factor
Rated insulation voltage	250 V AC
Rated surge voltage/insulation	See data sheet, section "Insulation coordination".

Supply

Designation	A1/A2
Rated control circuit supply voltage U_S	24 V DC -20% / +25%
Rated control supply current I_S	typ. 80 mA

PSR-MC73-5NO-1DO-24DC-PI - Safety relays



1734498

<https://www.phoenixcontact.com/gb/products/1734498>

Power consumption at U_S	typ. 1.92 W
Inrush current	typ. 28 A ($\Delta t = 30 \mu s$ at U_S)
Filter time	1 ms (For the logic. At A1 in the event of voltage dips at U_S)
Protective circuit	Serial protection against polarity reversal
	Suppressor diode

Input data

Digital: Sensor circuit (S12, S22)

Description of the input	safety-related sensor inputs
Number of inputs	2
Input voltage range "0" signal	0 V DC ... 5 V DC
Input voltage range "1" signal	11 V DC ... 30 V DC
Input current range "0" signal	0 mA ... 2 mA
Inrush current	< 11 mA (typ. with U_S)
Filter time	max. 3 ms (Test pulse width of low test pulses)
	min. 21 ms (Test pulse rate for low test pulse)
Concurrency	∞
Limit frequency	min. 0 Hz
	max. 1 Hz
Max. permissible overall conductor resistance	150 Ω
Protective circuit	Varistor
Current consumption	< 4.5 mA (typ. with U_S)

Digital: Start circuit (S34)

Description of the input	non-safety-related
Number of inputs	1
Input voltage range "0" signal	0 V DC ... 5 V DC
Input voltage range "1" signal	11 V DC ... 30 V DC
Input current range "0" signal	0 mA ... 2 mA
Inrush current	< 8.6 mA (typ. with U_S)
Filter time	max. 1 ms (Test pulse width of low test pulses)
	min. 21 ms (Test pulse rate for low test pulse)
Limit frequency	min. 0 Hz
	max. 1 Hz
Max. permissible overall conductor resistance	150 Ω
Protective circuit	Varistor
Current consumption	< 3.2 mA (typ. with U_S)

Output data

Relay: Enabling current paths (13/14, 23/24/34, 47/48, 57/58)

Output description	2 N/O contacts each in series, safety-related, floating
Number of outputs	3 (undelayed: 13/14, 23/24/34)
	2 (delayed: 47/48, 57/58)
Contact switching type	5 enabling current paths

PSR-MC73-5NO-1DO-24DC-PI - Safety relays



1734498

<https://www.phoenixcontact.com/gb/products/1734498>

Contact material	AgCuNi +0.2 µm ... 0.4 µm Au / AgSnO ₂ +0.2 µm Au
Switching voltage	min. 12 V AC/DC
	max. 250 V AC/DC
Switching power	min. 60 mW
Inrush current	min. 5 mA
	max. 6 A
Switching capacity	4 A (24 V (DC13))
	3 A (230 V (AC 15))
Limiting continuous current	6 A
Sq. Total current	144 A ² (observe derating)
Switching frequency	0.1 Hz (depending on the set delay time)
Mechanical service life	10x 10 ⁶ cycles
Output fuse	6 A gL/gG
	4 A gL/gG (for low-demand applications)

Signal: M1

Output description	PNP
	non-safety-related
Number of outputs	1
Voltage	approx. 23 V DC (U _S - 1 V)
Current	max. 100 mA
Maximum inrush current	500 mA (Δt = 100 ms at U _S)
Ohmic load	min. 192 Ω (max. 100 mA)
Switching frequency	0.1 Hz (depending on the set delay time)
Protective circuit	Suppressor diode
Short-circuit protection	Yes

Clock: S11, S21

Output description	PNP
	non-safety-related
Number of outputs	2
Voltage	corresponds to U _S
Current	max. 100 mA
Maximum inrush current	500 mA (Δt = 100 ms at U _S)
Protective circuit	Suppressor diode
Short-circuit protection	Yes

Connection data

Connection technology

pluggable	yes
-----------	-----

Conductor connection

Connection method	Push-in connection
Conductor cross-section rigid	0.2 mm ² ... 2.5 mm ²
Conductor cross-section flexible	0.2 mm ² ... 2.5 mm ²

PSR-MC73-5NO-1DO-24DC-PI - Safety relays



1734498

<https://www.phoenixcontact.com/gb/products/1734498>

Conductor cross-section AWG	24 ... 14
Stripping length	10 mm

Signaling

Status display	4 x LED (green, yellow, red)
Operating voltage display	1 x LED (green, yellow, red)

Dimensions

Width	22.5 mm
Height	107.9 mm
Depth	111.7 mm

Material specifications

Color (Housing)	yellow (RAL 1018)
Housing material	PA

Characteristics

Safety data

Stop category (EN 60204-1)	0 (Undelayed contacts)
Stop category	1 (delayed contacts)

Safety data: EN ISO 13849

Performance level (PL)	e (4 A DC13; 3 A AC15; 8760 switching cycles/year)
------------------------	--

Safety data: IEC 61508 - High demand

Safety Integrity Level (SIL)	3
------------------------------	---

Safety data: IEC 61508 - Low demand

Safety Integrity Level (SIL)	3
------------------------------	---

Safety data: EN IEC 62061

Safety Integrity Level (SIL)	3
------------------------------	---

Environmental and real-life conditions

Ambient conditions

Degree of protection	IP20
Min. degree of protection of inst. location	IP54
Ambient temperature (operation)	-35 °C ... 55 °C (observe derating) -35 °C ... 60 °C (mounted in the horizontal mounting position with ≥ 10 mm spacing)
Ambient temperature (storage/transport)	-40 °C ... 85 °C
Maximum altitude	≤ 2000 m (Above sea level)
Max. permissible humidity (storage/transport)	75 % (on average, 85% infrequently, non-condensing)
Max. permissible relative humidity (operation)	75 % (on average, 85% infrequently, non-condensing)
Shock	10g (operation), 15g (transport)
Vibration (operation)	10 Hz ... 150 Hz, 2g

PSR-MC73-5NO-1DO-24DC-PI - Safety relays



1734498

<https://www.phoenixcontact.com/gb/products/1734498>

Mounting

Mounting type	DIN rail mounting
Assembly note	See derating curve
Mounting position	vertical or horizontal

PSR-MC73-5NO-1DO-24DC-PI - Safety relays

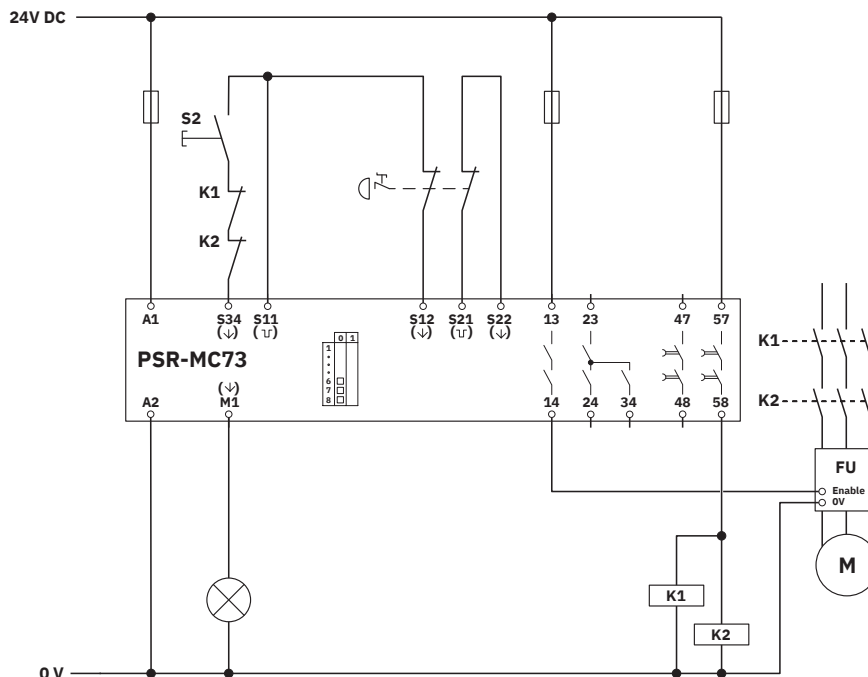


1734498

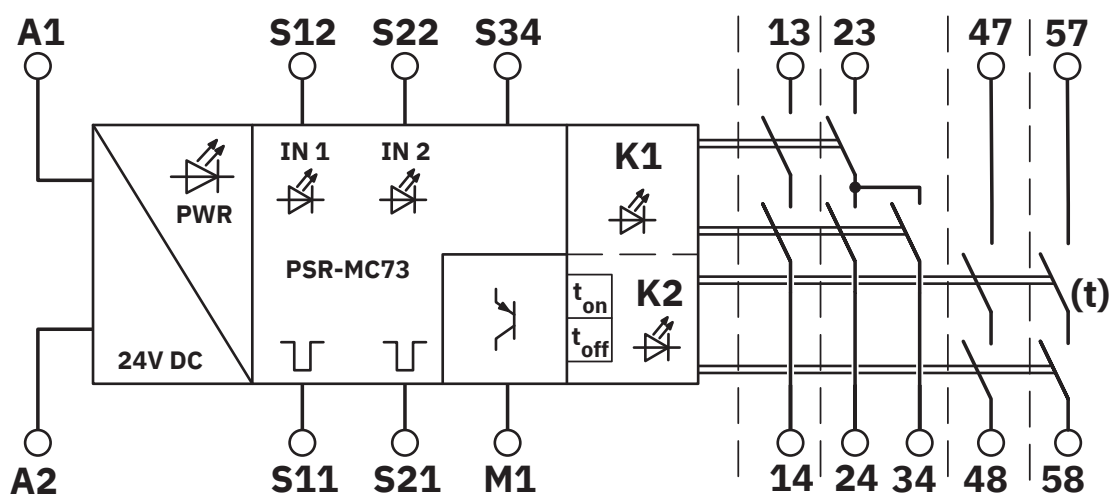
<https://www.phoenixcontact.com/gb/products/1734498>

Drawings

Circuit diagram



Block diagram



Block diagram

PSR-MC73-5NO-1DO-24DC-PI - Safety relays



1734498

<https://www.phoenixcontact.com/gb/products/1734498>

Classifications

ECLASS

ECLASS-13.0	27371819
ECLASS-15.0	27371819

ETIM

ETIM 10.0	EC001449
-----------	----------

1734498

<https://www.phoenixcontact.com/gb/products/1734498>

Environmental product compliance

EU RoHS

Fulfills EU RoHS substance requirements	Yes
Exemption	7(a), 7(c)-I

China RoHS

Environment friendly use period (EFUP)	EFUP-50
	An article-related China RoHS declaration table can be found in the download area for the respective article under "Manufacturer declaration". For all articles with EFUP-E, no China RoHS declaration table issued and required.

EU REACH SVHC

REACH candidate substance (CAS No.)	Lead(CAS: 7439-92-1)
-------------------------------------	----------------------

Phoenix Contact 2026 © - all rights reserved
<https://www.phoenixcontact.com>

PHOENIX CONTACT Ltd
Halesfield 13, Telford
Shropshire, TF7 4PG
01952 681700
info@phoenixcontact.co.uk