

PSR-MC82-5NO-1NC-1DO-24DC-PI - Extension module



1734496

<https://www.phoenixcontact.com/gb/products/1734496>

Please be informed that the data shown in this PDF document is generated from our online catalog. Please find the complete data in the user documentation. Our general terms of use for downloads are valid.



Contact extension up to SIL 3, Cat. 4, PL e in conjunction with suitable evaluation device, 5 enabling current paths, $U_S = 24 \text{ V DC}$, pluggable Push-in terminal block

Product description

The contact extension PSR-MC82 enables the straightforward extension of the enabling paths of a basic device. It provides five additional enabling current paths and is extremely compact with an overall width of just 17.5 mm. The PSR-MC82 is suitable for classic signal generators, such as emergency stops or safety doors, as well as for use at fail-safe controllers.

Your advantages

- Up to Cat. 4/PL e in accordance with ISO 13849-1, SIL 3 in accordance with EN IEC 62061 in conjunction with suitable evaluation device
- Low housing width of just 17.5 mm
- 1- and 2-channel control
- 5 enabling current paths, 1 confirmation current path, 1 digital signal output
- Automatic activation

Commercial data

Item number	1734496
Packing unit	1 pc
Minimum order quantity	1 pc
Note	Made to order (non-returnable)
Sales key	DNA1A4
Product key	DNA1A4
GTIN	4067923293465
Weight per piece (including packing)	195.24 g
Weight per piece (excluding packing)	170.96 g
Customs tariff number	85371098
Country of origin	Information on the country of origin is provided with the delivery.

PSR-MC82-5NO-1NC-1DO-24DC-PI - Extension module



1734496

<https://www.phoenixcontact.com/gb/products/1734496>

Technical data

Notes

Note on application

Note on application	Only for industrial use
---------------------	-------------------------

Product properties

Product type	Safety relays
Product family	PSRcompact
Application	Extension module
Control	1 and 2 channel
Relay type	Electromechanical relay with force-guided contacts in accordance with IEC/EN 61810-3

Insulation characteristics

Overvoltage category	II, III (See the section "Insulation coordination")
Degree of pollution	2

Times

Typ. starting time with U_s	< 50 ms (with U_s when controlled via A1)
Typical release time	< 25 ms (when controlled via A1)
Recovery time	< 100 ms

Electrical properties

Maximum power dissipation for nominal condition	15.2 W ($U_B = 30 \text{ V}$, $I_L^2 = 64 \text{ A}^2$; $P_{\text{Total max}} = 2.4 \text{ W} + 12.8 \text{ W}$)
Nominal operating mode	100% operating factor
Rated insulation voltage	250 V AC
Rated surge voltage/insulation	See data sheet, section "Insulation coordination".

Supply

Designation	For signal output M1
Rated control circuit supply voltage U_S	19.2 V DC ... 30 V DC
Rated control circuit supply voltage U_S	24 V DC -20 % / +25 %
Protective circuit	Serial protection against polarity reversal
	Suppressor diode
	Short-circuit protection for M1

Input data

Digital: A1

Description of the input	safety-related
Number of inputs	1
Input voltage range "1" signal	19.2 V DC ... 30 V DC
Inrush current	max. 125 mA ($\Delta t = 7 \text{ ms}$ at U_S)
	max. 1 ms (Test pulse width, high test pulse)

PSR-MC82-5NO-1NC-1DO-24DC-PI - Extension module



1734496

<https://www.phoenixcontact.com/gb/products/1734496>

Filter time	min. 10 ms (Test pulse rate, high test pulse)
	max. 1 ms (Test pulse width of low test pulses)
	min. 5 ms (Test pulse rate for low test pulse)
Protective circuit	Reverse polarity protection
	Suppressor diode
Current consumption	typ. 80 mA

Output data

Relay: Enabling current paths (23/24 ... 63/64)

Output description	2 N/O contacts in series, safety-related, floating
Number of outputs	5 (undelayed)
Contact switching type	5 enabling current paths
Contact material	AgSnO ₂
Switching voltage	min. 5 V AC/DC
	max. 250 V AC/DC (Observe the load curve)
Switching power	min. 50 mW
Inrush current	min. 10 mA
	max. 20 A (≤ 100 ms)
Switching capacity	3 A (24 V (DC13))
	3 A (250 V (AC15))
Limiting continuous current	6 A
Sq. Total current	64 A ² (observe derating)
Switching frequency	max. 0.1 Hz
Mechanical service life	10x 10 ⁶ cycles
Output fuse	10 A gL/gG
	6 A gL/gG (for low-demand applications)

Relay: Confirmation current path (11/12)

Output description	Diagnostic contact, 2 NC in series, floating
Number of outputs	1 (undelayed)
Contact switching type	1 confirmation current path
Contact material	AgSnO ₂
Switching voltage	min. 5 V AC/DC
	max. 24 V DC
Switching power	min. 50 mW
Inrush current	min. 10 mA
	max. 1 A
Limiting continuous current	100 mA
Switching frequency	max. 0.1 Hz
Mechanical service life	10x 10 ⁶ cycles
Output fuse	1 A gL/gG (Undelayed contacts)

Signal: M1

Output description	non-safety-related
--------------------	--------------------

PSR-MC82-5NO-1NC-1DO-24DC-PI - Extension module



1734496

<https://www.phoenixcontact.com/gb/products/1734496>

Number of outputs	1 (digital, PNP)
Voltage	22 V DC ($U_s - 2 V$)
Current	max. 100 mA
Maximum inrush current	500 mA ($\Delta t = 100 \text{ ms at } U_s$)
Ohmic load	min. 240 Ω
Switching frequency	0.5 Hz (ohmic)
Protective circuit	Suppressor diode
Short-circuit protection	Yes
Discharging circuit	No

Connection data

Connection technology

pluggable	yes
-----------	-----

Conductor connection

Connection method	Push-in connection
Conductor cross-section rigid	0.2 mm ² ... 2.5 mm ²
Conductor cross-section flexible	0.2 mm ² ... 2.5 mm ²
Conductor cross-section AWG	24 ... 14
Stripping length	10 mm

Signaling

Status display	2 x LED (green)
----------------	-----------------

Dimensions

Width	17.5 mm
Height	107.9 mm
Depth	111.7 mm

Material specifications

Color (Housing)	yellow (RAL 1018)
Housing material	PA

Characteristics

Safety data

Stop category (EN 60204-1)	0
----------------------------	---

Safety data: EN ISO 13849

Performance level (PL)	e
------------------------	---

Safety data: IEC 61508 - High demand

Safety Integrity Level (SIL)	3 (In conjunction with suitable evaluating device)
------------------------------	--

Safety data: IEC 61508 - Low demand

Safety Integrity Level (SIL)	3 (In conjunction with suitable evaluating device)
------------------------------	--

PSR-MC82-5NO-1NC-1DO-24DC-PI - Extension module



1734496

<https://www.phoenixcontact.com/gb/products/1734496>

Safety data: EN IEC 62061

Safety Integrity Level (SIL)	3
------------------------------	---

Environmental and real-life conditions

Ambient conditions

Degree of protection	IP20
Min. degree of protection of inst. location	IP54
Ambient temperature (operation)	-20 °C ... 60 °C (observe derating)
Ambient temperature (storage/transport)	-40 °C ... 80 °C
Maximum altitude	max. 2000 m (Above sea level)
Max. permissible humidity (storage/transport)	75 % (on average, 85% infrequently, non-condensing)
Max. permissible relative humidity (operation)	75 % (on average, 85% infrequently, non-condensing)
Shock (operation)	15g (In the event of stress caused by shock, contact reactions are possible for up to 6 ms)
Vibration (operation)	10 Hz ... 150 Hz, 2g (In the event of stress caused by vibration, contact reactions are possible for up to 1 ms.)

Approvals

CE

Identification	CE-compliant
----------------	--------------

Mounting

Mounting type	DIN rail mounting
Assembly note	See derating curve
Mounting position	vertical or horizontal

PSR-MC82-5NO-1NC-1DO-24DC-PI - Extension module

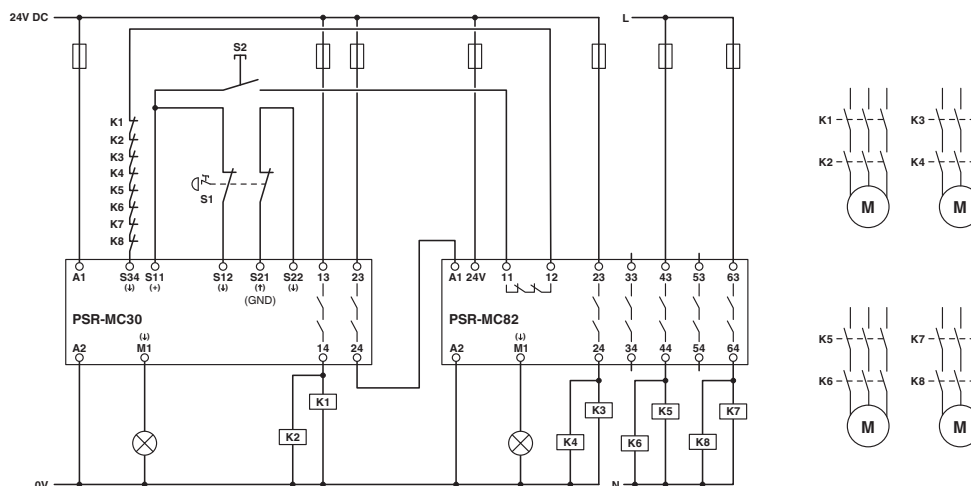


1734496

<https://www.phoenixcontact.com/gb/products/1734496>

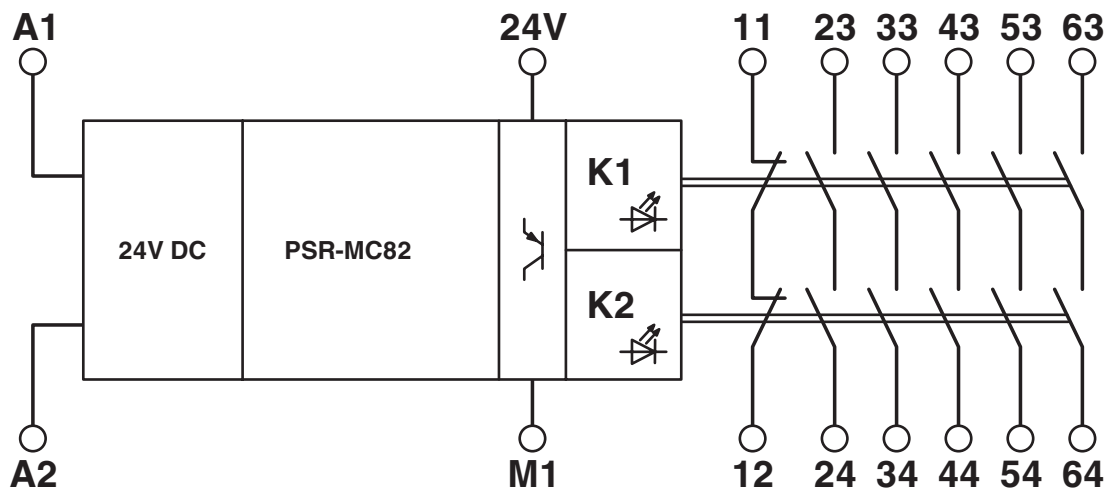
Drawings

Circuit diagram



Example application

Block diagram



Block diagram

PSR-MC82-5NO-1NC-1DO-24DC-PI - Extension module



1734496

<https://www.phoenixcontact.com/gb/products/1734496>

Classifications

ECLASS

ECLASS-13.0	27371819
ECLASS-15.0	27371819

ETIM

ETIM 10.0	EC001449
-----------	----------

PSR-MC82-5NO-1NC-1DO-24DC-PI - Extension module



1734496

<https://www.phoenixcontact.com/gb/products/1734496>

Environmental product compliance

EU RoHS

Fulfills EU RoHS substance requirements	Yes
Exemption	7(a), 7(c)-I

China RoHS

Environment friendly use period (EFUP)	EFUP-50
	An article-related China RoHS declaration table can be found in the download area for the respective article under "Manufacturer declaration". For all articles with EFUP-E, no China RoHS declaration table issued and required.

EU REACH SVHC

REACH candidate substance (CAS No.)	Lead(CAS: 7439-92-1)
-------------------------------------	----------------------

Phoenix Contact 2026 © - all rights reserved
<https://www.phoenixcontact.com>

PHOENIX CONTACT Ltd
Halesfield 13, Telford
Shropshire, TF7 4PG
01952 681700
info@phoenixcontact.co.uk