

SAC-3P-M12Y/2XM12FS PE - Y distributor



1683455

<https://www.phoenixcontact.com/gb/products/1683455>

Please be informed that the data shown in this PDF document is generated from our online catalog. Please find the complete data in the user documentation. Our general terms of use for downloads are valid.



Y distributor, 4-position, unshielded, Plug straight M12, coding: A, on Socket straight M12, coding: A and Socket straight M12, coding: A

Commercial data

Item number	1683455
Packing unit	5 pc
Minimum order quantity	5 pc
Sales key	AF1GAB
Product key	AF1GAB
GTIN	4017918166922
Weight per piece (including packing)	27.96 g
Weight per piece (excluding packing)	27 g
Customs tariff number	85366990
Country of origin	PL

SAC-3P-M12Y/2XM12FS PE - Y distributor

1683455

<https://www.phoenixcontact.com/gb/products/1683455>

Technical data

Notes

General	with center distance of 18 mm, suitable for molded connectors and unshielded connectors that can be assembled with QUICKON IDC terminal block connection technology and a connection range of 0.14 mm ² to 0.34 mm ²
---------	--------------------------------------------------------------------------------------------------------------------------------------------------------------------------------------------------------------------------------------------

Product properties

Product type	Y-distributor
Number of positions	4
No. of cable outlets	2
Shielded	no
Coding	A
Thread type	M12

Insulation characteristics

Overvoltage category	II
Degree of pollution	3

Electrical properties

Insulation resistance	≥ 100 MΩ
Nominal voltage U _N	48 V AC
	60 V DC
Nominal current I _N	4 A

Signaling

Status display	no
Status display present	no

Dimensions

Dimensional drawing	
Width	33 mm
Height	14.8 mm
Length	50.1 mm
Center distance	18 mm

Material specifications

Flammability rating according to UL 94	HB
Seal material	NBR
Material of grip body	TPU, hardly inflammable, self-extinguishing

SAC-3P-M12Y/2XM12FS PE - Y distributor



1683455

<https://www.phoenixcontact.com/gb/products/1683455>

Contact material	CuZn
Contact surface material	Ni/Au
Contact carrier material	TPU GF
Material for screw connection	Zinc die-cast, nickel-plated

Connector

Connection 1

Type	Plug straight M12
Coding type	A

Connection 2

Type	Socket straight M12
Coding type	A

Connection 3

Type	Socket straight M12
Coding type	A

Mechanical properties

Mechanical data

Insertion/withdrawal cycles	≥ 100
-----------------------------	-------

Environmental and real-life conditions

Ambient conditions

Degree of protection	IP65
	IP67
Ambient temperature (operation) (male connector/female connector)	-25 °C ... 90 °C (Plug / socket)

Standards and regulations

M12

Standard designation	M12 connector
Standards/specifications	IEC 61076-2-101

SAC-3P-M12Y/2XM12FS PE - Y distributor

1683455

<https://www.phoenixcontact.com/gb/products/1683455>

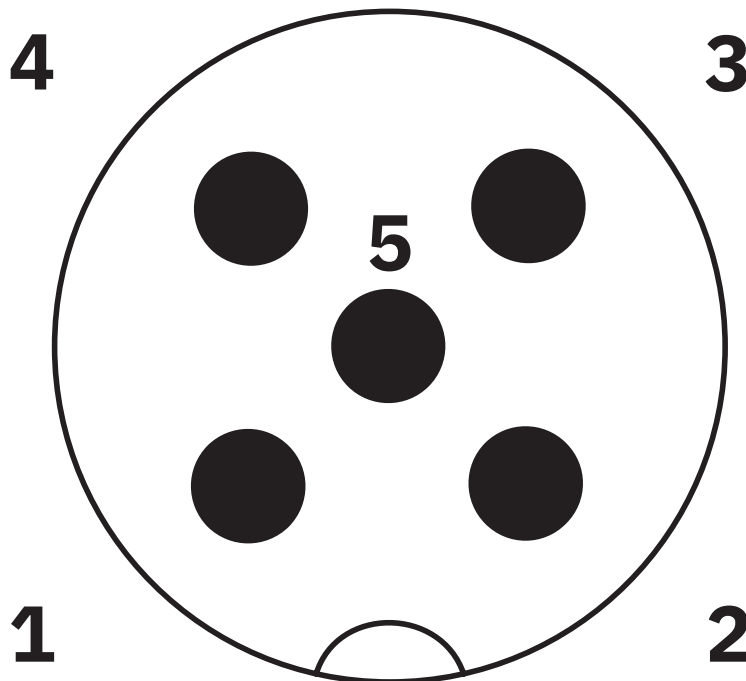
Drawings

Dimensional drawing



M12 Y distributor

Schematic diagram



Pin assignment M12 male connector, 5-pos., A-coded, male side

SAC-3P-M12Y/2XM12FS PE - Y distributor

1683455

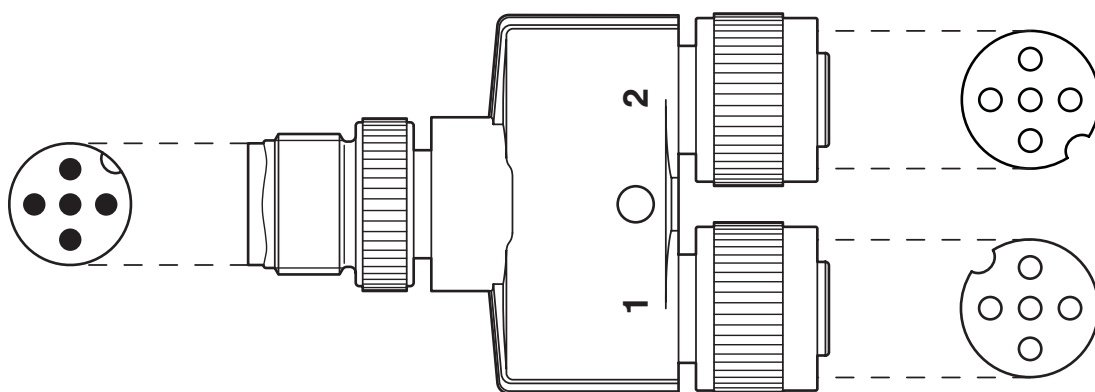
<https://www.phoenixcontact.com/gb/products/1683455>

Schematic diagram



Pin assignment socket M 12, 3-pos. + PE

Schematic diagram



Layout of connector pin assignments

SAC-3P-M12Y/2XM12FS PE - Y distributor

1683455

<https://www.phoenixcontact.com/gb/products/1683455>



Contact assignment of the M12 Y distributor

SAC-3P-M12Y/2XM12FS PE - Y distributor



1683455

<https://www.phoenixcontact.com/gb/products/1683455>

Approvals

To download certificates, visit the product detail page: <https://www.phoenixcontact.com/gb/products/1683455>



EAC

Approval ID: RU C-DE.AI30.B.01102



UL Listed

Approval ID: E221474

	Nominal voltage U_N	Nominal current I_N	Cross section AWG	Cross section mm^2
keine				
	30 V	4 A	-	-



cUL Listed

Approval ID: E221474

	Nominal voltage U_N	Nominal current I_N	Cross section AWG	Cross section mm^2
keine				
	30 V	4 A	-	-

SAC-3P-M12Y/2XM12FS PE - Y distributor



1683455

<https://www.phoenixcontact.com/gb/products/1683455>

Classifications

ECLASS

ECLASS-13.0	27440106
ECLASS-15.0	27440106

ETIM

ETIM 10.0	EC002925
-----------	----------

UNSPSC

UNSPSC 21.0	31251500
-------------	----------

SAC-3P-M12Y/2XM12FS PE - Y distributor



1683455

<https://www.phoenixcontact.com/gb/products/1683455>

Environmental product compliance

EU RoHS

Fulfills EU RoHS substance requirements	Yes, No exemptions
-----------------------------------------	--------------------

China RoHS

Environment friendly use period (EFUP)	EFUP-E
	No hazardous substances above the limits

EU REACH SVHC

REACH candidate substance (CAS No.)	No substance above 0.1 wt%
-------------------------------------	----------------------------

EF3.1 Climate Change

CO2e kg	0.942 kg CO2e
---------	---------------

Phoenix Contact 2026 © - all rights reserved
<https://www.phoenixcontact.com>

PHOENIX CONTACT Ltd
Halesfield 13, Telford
Shropshire, TF7 4PG
01952 681700
info@phoenixcontact.co.uk