

# PROT-M12 - Screw plug

1680539

<https://www.phoenixcontact.com/gb/products/1680539>

Please be informed that the data shown in this PDF document is generated from our online catalog. Please find the complete data in the user documentation. Our general terms of use for downloads are valid.



An M12 screw plug for the unoccupied M12 sockets of the sensor/actuator cable, boxes and flush-type connectors

## Your advantages

- Reliable protection of unoccupied slots during transport and use in the field
- Protected against splash water and dust
- Easy assembly using a screwdriver

## Commercial data

Item number	1680539
Packing unit	5 pc
Minimum order quantity	5 pc
Sales key	AF3ZAX
Product key	AF3ZAX
GTIN	4017918163389
Weight per piece (including packing)	2 g
Weight per piece (excluding packing)	0.826 g
Customs tariff number	39269097
Country of origin	DE

# PROT-M12 - Screw plug

1680539

<https://www.phoenixcontact.com/gb/products/1680539>

## Technical data

### Notes

Note on application	Also suitable for M12 push-pull.
---------------------	----------------------------------

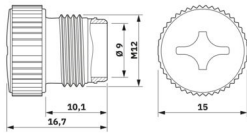
### Product properties

Product type	Plug for cable screw gland
Thread type	M12

### Connection data

Tightening torque	0.4 Nm
-------------------	--------

### Dimensions

Dimensional drawing	
Diameter	15 mm

### Material specifications

Flammability rating according to UL 94	V0
Material for screw connection	PA 6.6
Standards/regulations	PA 6.6

### Environmental and real-life conditions

#### Ambient conditions

Degree of protection	IP65 IP67
Ambient temperature (operation) (male connector/female connector)	-40 °C ... 85 °C

# PROT-M12 - Screw plug

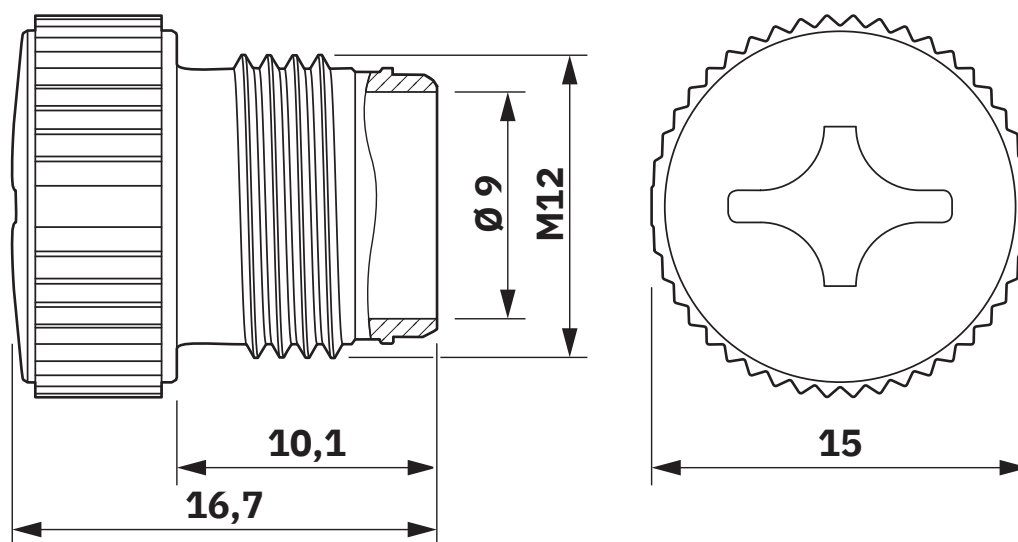
1680539

<https://www.phoenixcontact.com/gb/products/1680539>



## Drawings

Dimensional drawing



# PROT-M12 - Screw plug



1680539

<https://www.phoenixcontact.com/gb/products/1680539>

## Approvals

To download certificates, visit the product detail page: <https://www.phoenixcontact.com/gb/products/1680539>



**UL Recognized**

Approval ID: E240868

# PROT-M12 - Screw plug



1680539

<https://www.phoenixcontact.com/gb/products/1680539>

## Classifications

### ECLASS

ECLASS-13.0	23111190
ECLASS-15.0	27440208

### ETIM

ETIM 10.0	EC002943
-----------	----------

### UNSPSC

UNSPSC 21.0	31261500
-------------	----------

# PROT-M12 - Screw plug



1680539

<https://www.phoenixcontact.com/gb/products/1680539>

## Environmental product compliance

### EU RoHS

Fulfills EU RoHS substance requirements	Yes, No exemptions
---	--------------------

### China RoHS

Environment friendly use period (EFUP)	EFUP-E
	No hazardous substances above the limits

### EU REACH SVHC

REACH candidate substance (CAS No.)	No substance above 0.1 wt%
-------------------------------------	----------------------------

### EF3.1 Climate Change

CO2e kg	0.014 kg CO2e
---------	---------------

Phoenix Contact 2026 © - all rights reserved  
<https://www.phoenixcontact.com>

PHOENIX CONTACT Ltd  
Halesfield 13, Telford  
Shropshire, TF7 4PG  
01952 681700  
[info@phoenixcontact.co.uk](mailto:info@phoenixcontact.co.uk)