

# HC-A03-I-PT-M - Contact insert

1585252

<https://www.phoenixcontact.com/gb/products/1585252>

Please be informed that the data shown in this PDF document is generated from our online catalog. Please find the complete data in the user documentation. Our general terms of use for downloads are valid.



Contact insert, number of positions: 3+PE, size: D7, number of connections per position: 1, Pin, Push-in connection, 230 V/400 V, 10 A, 0.14 mm<sup>2</sup> ... 1.5 mm<sup>2</sup>

## Your advantages

- Easy installation without tools, even when mounted, with push-in connection technology
- Shortest installation time compared to other connection technologies
- Quick and effortless wiring, in particular when space is tight
- Automatic cabling with robots possible
- Safe wiring and operation with color-coded actuators
- Shock and vibration-resistant in accordance with DIN EN 61373
- Cost-effective and fast coding with plastic profiles

## Commercial data

|                                      |               |
|--------------------------------------|---------------|
| Item number                          | 1585252       |
| Packing unit                         | 1 pc          |
| Minimum order quantity               | 1 pc          |
| Sales key                            | AF7ABJ        |
| Product key                          | AF7ABJ        |
| GTIN                                 | 4046356284981 |
| Weight per piece (including packing) | 13.9 g        |
| Weight per piece (excluding packing) | 13.48 g       |
| Customs tariff number                | 85366990      |
| Country of origin                    | CN            |

# HC-A03-I-PT-M - Contact insert

1585252

<https://www.phoenixcontact.com/gb/products/1585252>

## Technical data

### Mounting

|               |   |
|---------------|---|
| Assembly note | To ensure correct use, installation in housing with IP54 protection or better is required |
|---------------|---|

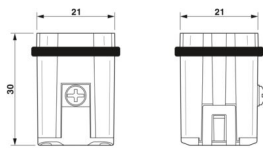
### Product properties

|                                    |  |
|------------------------------------|--|
| Product type                       | Contact insert with a fixed no. of positions |
| Series                             | HC-A   |
| Type                               | D7   |
| Number of positions                | 3  |
| Connection profile                 | 3+PE   |
| Contact numbering                  | 1 - 3  |
| Number of connections per position | 1  |
| Contact material type              | rolled                                       |

### Insulation characteristics

|                      |     |
|----------------------|-----|
| Overvoltage category | III |
| Degree of pollution  | 3   |

### Dimensions

|                     |  |
|---------------------|--|
| Dimensional drawing |  |
| Width               | 28 mm  |
| Height              | 28.5 mm  |
| Length              | 21 mm  |

### Mechanical characteristics

|                  |        |
|------------------|--------|
| Contact diameter | 1.6 mm |
|------------------|--------|

### Connection data

#### Connection technology

|                                    |                    |
|------------------------------------|--------------------|
| Connection technology              | Push-in connection |
| Number of connections per position | 1                  |
| Connection in acc. with standard   | IEC / EN           |

#### Conductor connection

|   |  |
|---|--|
| Conductor cross-section                 | 0.14 mm <sup>2</sup> ... 1.5 mm <sup>2</sup>                             |
| Connection cross section AWG            | 26 ... 16  |
| Tightening torque                       | 0.5 Nm ... 0.8 Nm (Mounting screws for mounting in the HEAVYCON housing) |
| Stripping length of the individual wire | 10 mm  |

# HC-A03-I-PT-M - Contact insert



1585252

<https://www.phoenixcontact.com/gb/products/1585252>

## Electrical properties

|                                  |                             |
|----------------------------------|-----------------------------|
| Rated voltage (III/3)            | 230 V (Conductor-PE)        |
|                                  | 400 V (Conductor-Conductor) |
| Rated voltage for power contacts | 230/400 V                   |
| Rated surge voltage              | 4 kV                        |
| Rated current                    | 10 A                        |

## Mechanical properties

### Mechanical data

|                             |       |
|-----------------------------|-------|
| Insertion/withdrawal cycles | ≥ 500 |
|-----------------------------|-------|

## Material specifications

|  |                 |
|--|-----------------|
| Flammability rating according to UL 94 | V0              |
| Seal material                          | NBR, conductive |
| Contact surface material               | Ag              |
| Contact carrier material               | PC              |
| Standards/regulations                  | PC              |

## Environmental and real-life conditions

### Ambient conditions

|                                 |                   |
|---------------------------------|-------------------|
| Degree of protection            | IP20              |
| Ambient temperature (operation) | -40 °C ... 125 °C |

## Standards and regulations

### Testing

|                       |   |
|-----------------------|---|
| Standards/regulations | PC: Fire protection in rail vehicles - requirement sets R22, R23, and R24 acc. to DIN EN 45545-2 (Risk level HL1 - HL3) |
|-----------------------|---|

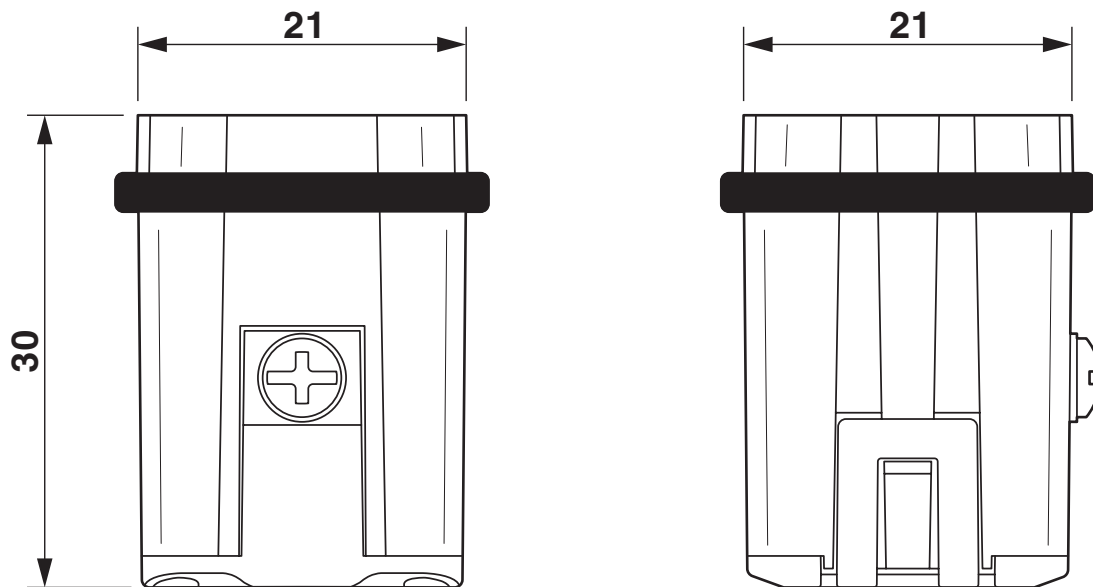
# HC-A03-I-PT-M - Contact insert

1585252

<https://www.phoenixcontact.com/gb/products/1585252>

## Drawings

Dimensional drawing



Male insert

Schematic diagram



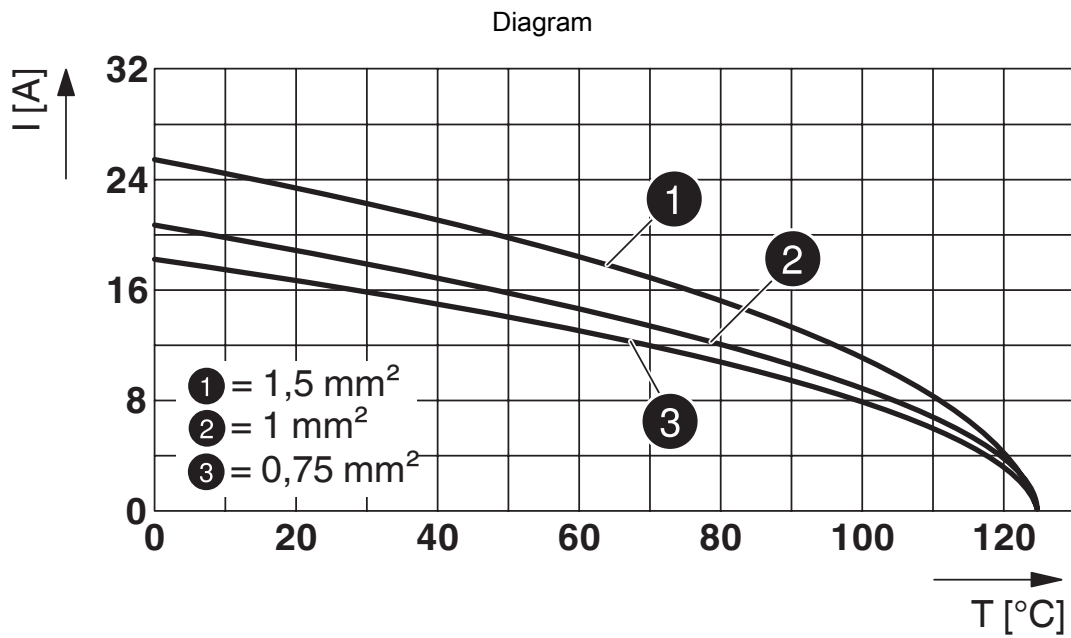
Connector pin assignment connection side: Left pin; right socket

# HC-A03-I-PT-M - Contact insert



1585252

<https://www.phoenixcontact.com/gb/products/1585252>



Derating diagram

# HC-A03-I-PT-M - Contact insert



1585252

<https://www.phoenixcontact.com/gb/products/1585252>

## Approvals

To download certificates, visit the product detail page: <https://www.phoenixcontact.com/gb/products/1585252>

### DNV

Approval ID: TAE000037S



### CSA

Approval ID: 13631

|       | Nominal voltage $U_N$ | Nominal current $I_N$ | Cross section AWG | Cross section $\text{mm}^2$ |
|-------|-----------------------|-----------------------|-------------------|-----------------------------|
| keine |                       |                       |                   |                             |
|       | 600 V                 | 15 A                  | - 16              | -                           |



### UL Recognized

Approval ID: E118976

|       | Nominal voltage $U_N$ | Nominal current $I_N$ | Cross section AWG | Cross section $\text{mm}^2$ |
|-------|-----------------------|-----------------------|-------------------|-----------------------------|
| keine |                       |                       |                   |                             |
|       | 600 V                 | 17.5 A                | - 16              | -                           |



### UL Recognized

Approval ID: E468743

|       | Nominal voltage $U_N$ | Nominal current $I_N$ | Cross section AWG | Cross section $\text{mm}^2$ |
|-------|-----------------------|-----------------------|-------------------|-----------------------------|
| keine |                       |                       |                   |                             |
|       | 600 V                 | 16 A                  | -                 | -                           |

# HC-A03-I-PT-M - Contact insert



1585252

<https://www.phoenixcontact.com/gb/products/1585252>

## Classifications

### ECLASS

|             |          |
|-------------|----------|
| ECLASS-13.0 | 27440205 |
| ECLASS-15.0 | 27440205 |

### ETIM

|           |          |
|-----------|----------|
| ETIM 10.0 | EC000438 |
|-----------|----------|

### UNSPSC

|             |          |
|-------------|----------|
| UNSPSC 21.0 | 39121500 |
|-------------|----------|

# HC-A03-I-PT-M - Contact insert



1585252

<https://www.phoenixcontact.com/gb/products/1585252>

## Environmental product compliance

### EU RoHS

|   |                    |
|---|--------------------|
| Fulfills EU RoHS substance requirements | Yes, No exemptions |
|---|--------------------|

### China RoHS

|  |  |
|--|--|
| Environment friendly use period (EFUP) | EFUP-E                                   |
|  | No hazardous substances above the limits |

### EU REACH SVHC

|                                     |                            |
|-------------------------------------|----------------------------|
| REACH candidate substance (CAS No.) | No substance above 0.1 wt% |
|-------------------------------------|----------------------------|

Phoenix Contact 2026 © - all rights reserved  
<https://www.phoenixcontact.com>

PHOENIX CONTACT Ltd  
Halesfield 13, Telford  
Shropshire, TF7 4PG  
01952 681700  
[info@phoenixcontact.co.uk](mailto:info@phoenixcontact.co.uk)