

EEM-MA390-R-24DC - Measuring device



1576594

<https://www.phoenixcontact.com/gb/products/1576594>

Please be informed that the data shown in this PDF document is generated from our online catalog. Please find the complete data in the user documentation. Our general terms of use for downloads are valid.



Multifunctional energy measuring device with 24 V DC supply, integrated Modbus RTU/TCP and BACnet MSTP/IP interface for measuring electrical parameters in low-voltage installations up to 690 V. ([phoenixcontact.com/empro-help](https://www.phoenixcontact.com/empro-help))

Commercial data

Item number	1576594
Packing unit	1 pc
Minimum order quantity	1 pc
Product key	CMMC21
GTIN	4067923065963
Country of origin	Information on the country of origin is provided with the delivery.

Technical data

Product properties

Product type	Energy measuring device
Product family	EMpro

Insulation characteristics

Pollution degree	2
------------------	---

Display

Display type	LCD display, backlit, 2-color, multi-line
--------------	---

Electrical properties

Electrical isolation Housing against all potentials IEC 61010-1

Standards/regulations	IEC 61010-1
Test voltage (reinforced insulation)	4 kV AC (50 Hz, 60 s)
Test voltage (Functional insulation)	1 kV AC (50 Hz, 60 s)
Overvoltage category	III (300 V AC)
	II (600 V AC)
Insulation	Reinforced insulation

Electrical isolation Supply voltage

Test voltage	1 kV AC
Insulation	Functional insulation

Electrical isolation Voltage measurement input against all other potentials IEC 61010-2-030

Standards/regulations	IEC 61010-2-030
Measuring category	III (300 V AC)
	II (600 V AC)
Insulation	Reinforced insulation

Electrical isolation Current measurement input against all other potentials

Insulation	Functional insulation
------------	-----------------------

Electrical isolation Digital I/Os

Insulation	Functional insulation
------------	-----------------------

Electrical isolation Communication interface

Insulation	Functional insulation
------------	-----------------------

Supply

Supply voltage	24 V DC \pm 25 %
Supply voltage range	18 V DC ... 30 V DC
Power consumption	< 4 W

Input data

Measuring data acquisition

Measuring principle	True r.m.s. value measurement (seamless)
Supply system configuration	TN, TT, IT (PE)
Frequency measuring range (Fundamental component)	45 Hz ... 65 Hz
Measured value	AC sine (50 Hz/60 Hz)
Scanning rate	12,8 kHz (50 Hz) / 15,4 kHz (60 Hz)
Number of periods	10 (true RMS value at 50 Hz) 12 (true RMS value at 60 Hz)
Acquisition of harmonics	up to 63rd harmonic

Measurement: Voltage

Input name	Voltage measuring input V1, V2, V3
Input voltage range direct	18 V AC ... 690 V AC (Phase/Phase) 11 V AC ... 400 V AC (Phase/neutral conductor)
Input voltage range via external transformers	60 V AC ... 200000 V AC (primary) 60 V AC ... 400 V AC (secondary)
Surge voltage capacity	760 V AC (Phase/Phase) 440 V AC (Phase/neutral conductor)
Precision	0.1 %
Power consumption	< 0.5 VA
Crest factor	> 2
Input impedance	5 MΩ (per channel)

Measurement: Current

Input name	Current measurement I1, I2, I3
Nominal current I_N	1 A 5 A
Nominal current range	1 A ... 20000 A (primary, depending on external current transformer)
Input current	1 A (secondary) 5 A (secondary)
Measuring range	0,05 % ... 120 % I_N 0.05 % ... 120 % (I_N)
Overload capacity	20 A (permanent) 50 A (for 1 s)
Precision	0.2 %
Power consumption	< 0.5 VA
Crest factor	> 2
Input impedance	< 1 Ω (per channel)

Measurement: Power

Active energy (IEC 62053-22)	Class 0.2 S
Reactive power (IEC 62053-23)	Class 2
ANSI C12.20	Class 0.2

1576594

<https://www.phoenixcontact.com/gb/products/1576594>

Digital

Description of the input	Digital input in accordance with IEC/EN 61131-2 (type 3)
Number	1
Voltage input signal	24 V DC 0 V DC ... 30 V DC
Current input signal	2 mA ... 15 mA
Protection	250 mA (fast-blow)
Protective circuit	Protection against incorrect DC connection (max. 30 V)

Output data

Digital

Output description	Digital output in accordance with IEC/EN 61131-2 (type 3)
Number	1
Current output signal	≤ 100 mA
Voltage output signal	24 V DC
Protection	250 mA (fast-blow)
Protective circuit	Protection against incorrect DC connection (max. 30 V)

Connection data

Current / voltage / supply

Connection method	Screw connection
Stripping length	8 mm
Screw thread	M3
Conductor cross-section rigid	0.2 mm ² ... 6 mm ²
Conductor cross-section flexible	0.2 mm ² ... 4 mm ²
Conductor cross-section AWG	24 ... 10
Tightening torque	0.5 Nm ... 0.6 Nm

Digital I/O / communication

Connection method	Screw connection
Stripping length	7 mm
Screw thread	M3
Conductor cross-section rigid	0.14 mm ² ... 2.5 mm ²
Conductor cross-section flexible	0.14 mm ² ... 1.5 mm ²
Conductor cross-section AWG	26 ... 14
Tightening torque	0.5 Nm ... 0.6 Nm

RS-485

Connection method	Screw connection
Stripping length	7 mm
Screw thread	M3
Conductor cross-section rigid	0.2 mm ² ... 2.5 mm ²
Conductor cross-section flexible	0.2 mm ² ... 2.5 mm ²
Conductor cross-section AWG	24 ... 12

EEM-MA390-R-24DC - Measuring device



1576594

<https://www.phoenixcontact.com/gb/products/1576594>

Tightening torque	0.5 Nm ... 0.6 Nm
-------------------	-------------------

Interfaces

Data: Network interface - Ethernet

Communication protocol	BACnet IP
	Modbus/TCP
	REST (HTTP)
Connection method	RJ45
Transmission speed	10 Mbps
	100 Mbps

Data: Network interface - serial

Communication protocol	BACnet MS/TP
	Modbus/RTU
Connection method	RS-485
Note	Screw connection
Transmission speed range	2.4 kbps ... 115.2 kbps
Resistance	120 Ω (integrated)

Dimensions

Item dimensions

Width	90 mm
Height	90 mm
Depth	71.9 mm
Horizontal pitch	5 Div.

Material specifications

Color	gray (RAL 7042)
-------	-----------------

Environmental and real-life conditions

Ambient conditions

Degree of protection	IP20 (Housing)
	IP40 (Display)
Ambient temperature (operation)	-25 °C ... 70 °C
Ambient temperature (storage/transport)	-30 °C ... 80 °C
Altitude	≤ 2000 m
Max. permissible relative humidity (operation)	≤ 95 % (non-condensing)
Shock (operation)	30 g / 18 ms
Vibration (operation)	1g (10 Hz ... 150 Hz)

Approvals

CE

Certificate	CE-compliant
-------------	--------------

EEM-MA390-R-24DC - Measuring device



1576594

<https://www.phoenixcontact.com/gb/products/1576594>

UL, USA/Canada

Identification	UL/C-UL Listed UL 61010-1
----------------	---------------------------

FCC / ISED

Identification	Class A
Certificate	Part 15 / ICES-003

UL data

Operating mode	Indoor use
----------------	------------

EMC data

Noise immunity (Environment class)	E2
------------------------------------	----

Emitted interference(Emission class)

Standards/regulations	IEC 61326-1 (class A)
-----------------------	-----------------------

Standards and regulations

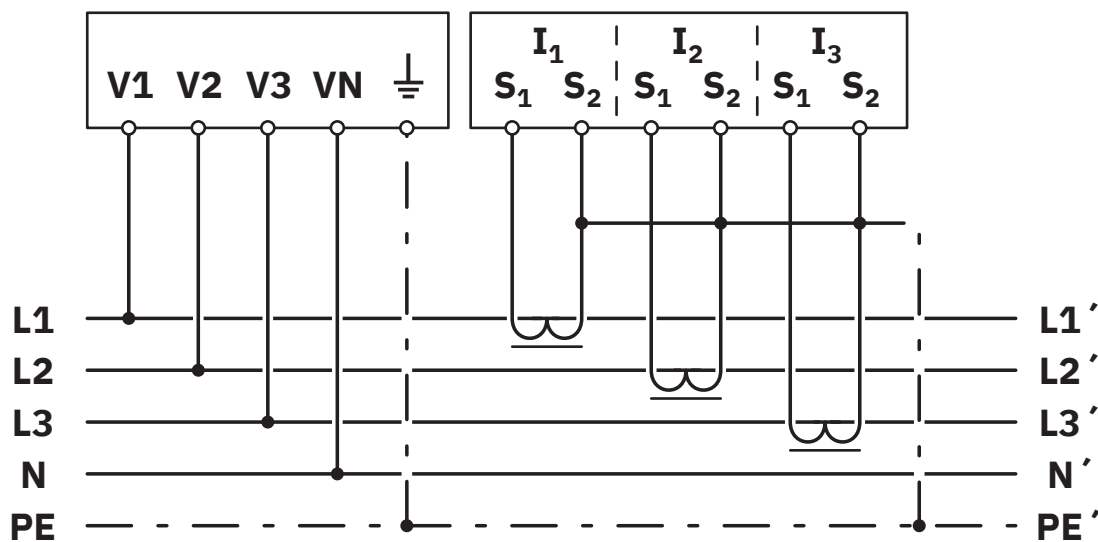
Standards/regulations	IEC 61010-1
	IEC 61326-1
	IEC 61557-12

Mounting

Mounting type	DIN rail mounting
Mounting position	Horizontal DIN rail

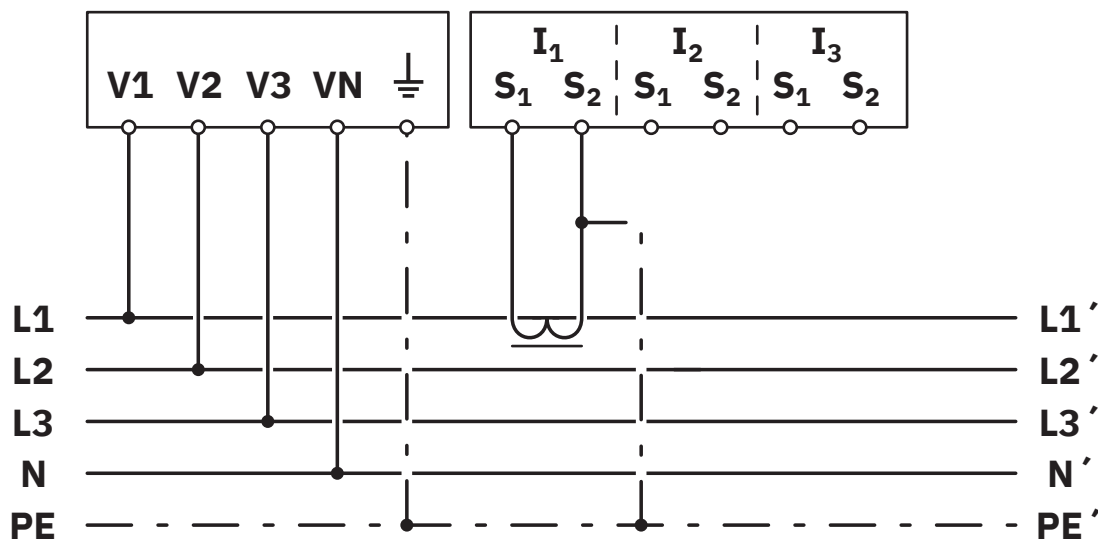
Drawings

Connection diagram



Network type: 3PH-4W-3CT

Connection diagram



Network type: 3PH-4W-1CT

Connection diagram



Network type: 3PH-3W-3CT

Connection diagram



Network type: 3PH-3W-2CT

Connection diagram



Network type: 3PH-3W-1CT

Connection diagram



Network type: 2PH-2W-1CT

1576594

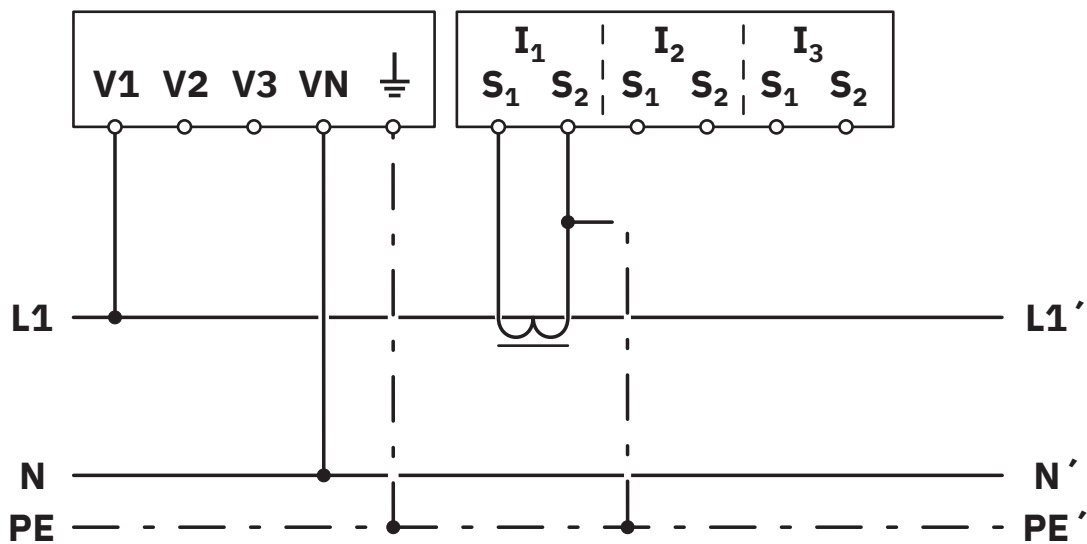
<https://www.phoenixcontact.com/gb/products/1576594>

Connection diagram



Network type: 2PH-3W-2CT

Connection diagram

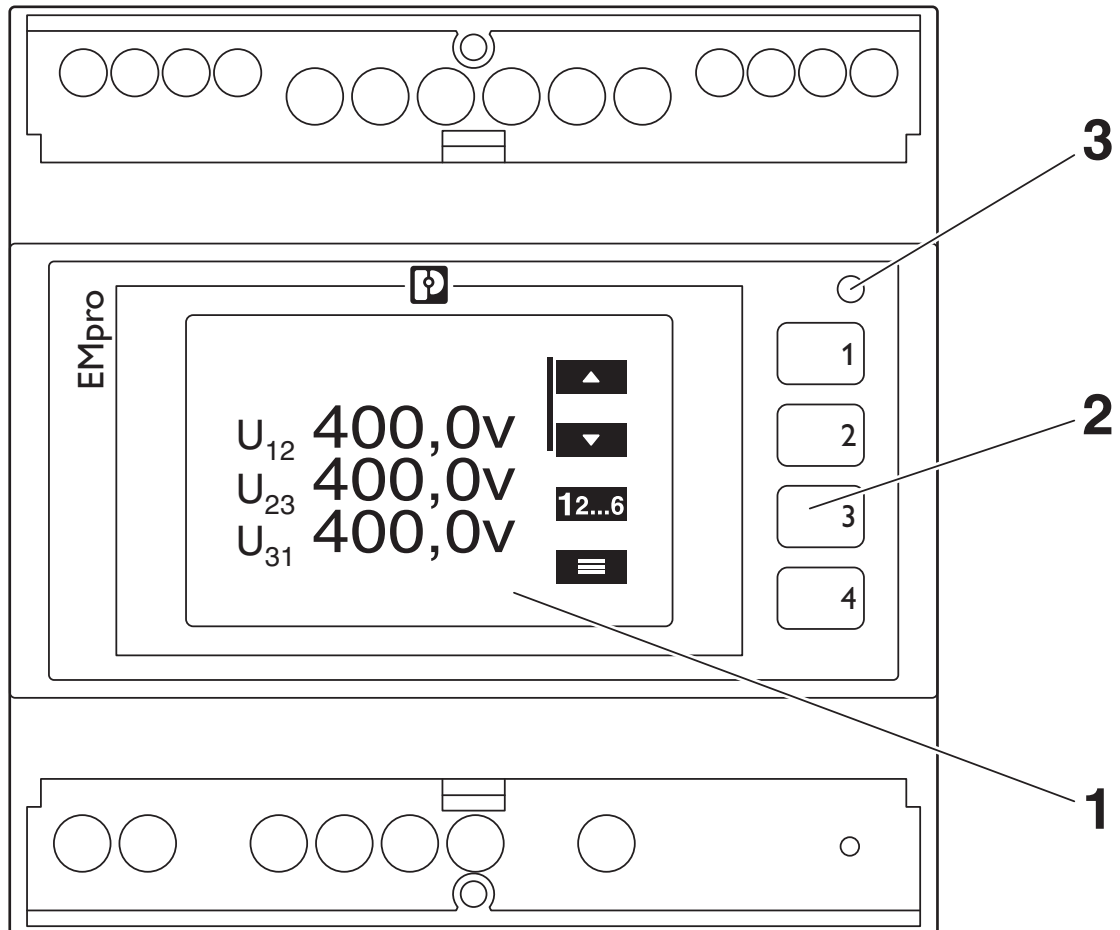


Network type: 1PH-2W-1CT

1576594

<https://www.phoenixcontact.com/gb/products/1576594>

Schematic diagram



Operating and indication elements

1 LCD, backlit

2 Operating buttons for displaying measured values and for changing the configuration

3 Pulse LED

EEM-MA390-R-24DC - Measuring device



1576594

<https://www.phoenixcontact.com/gb/products/1576594>

Schematic diagram



Mounting

EEM-MA390-R-24DC - Measuring device



1576594

<https://www.phoenixcontact.com/gb/products/1576594>

Classifications

ECLASS

ECLASS-13.0	27142330
ECLASS-15.0	27142330

ETIM

ETIM 10.0	EC002301
-----------	----------

Phoenix Contact 2026 © - all rights reserved

<https://www.phoenixcontact.com>

PHOENIX CONTACT Ltd
Halesfield 13, Telford
Shropshire, TF7 4PG
01952 681700
info@phoenixcontact.co.uk