

SACC-M12MRD-4Q SH PN - Data connector



1554539

<https://www.phoenixcontact.com/gb/products/1554539>

Please be informed that the data shown in this PDF document is generated from our online catalog. Please find the complete data in the user documentation. Our general terms of use for downloads are valid.

Data connector, PROFINET CAT5 (100 Mbps), 4-position, shielded, Plug angled M12, coding: D, Insulation displacement connection, knurl material: Brass, nickel-plated, external cable diameter 4 mm ... 8 mm



Your advantages

- Safe use in the field, thanks to a high degree of protection
- Insulation displacement connection: innovative and time-saving assembly without stripping the single wire
- Reliable signal transmission – 360° shielding in environments with electromagnetic interference

Commercial data

| | |
|--------------------------------------|---------------|
| Item number | 1554539 |
| Packing unit | 1 pc |
| Minimum order quantity | 1 pc |
| Sales key | AF2CDN |
| Product key | AF2CDN |
| GTIN | 4046356166225 |
| Weight per piece (including packing) | 38.5 g |
| Weight per piece (excluding packing) | 38.5 g |
| Customs tariff number | 85366990 |
| Country of origin | DE |

1554539

<https://www.phoenixcontact.com/gb/products/1554539>

Technical data

Mounting

| | |
|---------------|---|
| Assembly note | The connector pin assignment can be rotated 45° to the cable outlet |
|---------------|---|

Product properties

| | |
|----------------------|---------------------------------|
| Product type | Circular connector (cable-side) |
| Application | Data |
| Sensor type | PROFINET |
| Number of positions | 4 |
| No. of cable outlets | 1 |
| Shielded | yes |
| Coding | D |
| Cable outlet | angled |

Insulation characteristics

| | |
|----------------------|----|
| Overvoltage category | II |
| Degree of pollution | 3 |

Dimensions

External dimensions

| | |
|------------------|---------------|
| Outside diameter | 4 mm ... 8 mm |
|------------------|---------------|

Material specifications

| | |
|--|------------------------------|
| Flammability rating according to UL 94 | V0 |
| Seal material | Neoprene |
| Material of grip body | Zinc die-cast, nickel-plated |
| Contact material | CuSn |
| Contact surface material | Ni/Au |
| Contact carrier material | PA 6 |
| Material for screw connection | Brass, nickel-plated |

Connection data

Conductor connection

| | |
|------------------------------|--|
| Connection method | Insulation displacement connection |
| Connection cross section AWG | 23 ... 22 |
| Tightening torque | 0.4 Nm (M12 knurl) |
| | 0.8 Nm (Connector with coupling sleeve) |
| | 3 Nm (Pressure nut with coupling sleeve) |

Connection assignment

| | |
|---|---------------------|
| Contact Color (signal designation) Contact (optional) | 1 (Plug) = YE (TD+) |
| | 3 (Plug) = OG (TD-) |

SACC-M12MRD-4Q SH PN - Data connector



1554539

<https://www.phoenixcontact.com/gb/products/1554539>

| | |
|--|---------------------|
| | 2 (Plug) = WH (RD+) |
|--|---------------------|

| | |
|--|---------------------|
| | 4 (Plug) = BU (RD-) |
|--|---------------------|

Electrical properties

| | |
|-----------------------|----------|
| Contact resistance | ≤ 5 mΩ |
| Insulation resistance | ≥ 100 MΩ |
| Nominal voltage U_N | 48 V AC |
| | 60 V DC |
| Nominal current I_N | 1.75 A |
| Transmission speed | 100 Mbps |

Mechanical properties

Mechanical data

| | |
|-----------------------------|-------|
| Insertion/withdrawal cycles | ≥ 100 |
|-----------------------------|-------|

Connector

Connection 1

| | |
|-------------------|--------|
| Head design | Plug |
| Head cable outlet | angled |
| Head thread type | M12 |
| Coding | D |

Cable/line

| | |
|----------------------|--|
| Signal type/category | PROFINET CAT5 (based on IEC 11801), 100 Mbps |
|----------------------|--|

Environmental and real-life conditions

Ambient conditions

| | |
|---|----------------------------------|
| Degree of protection | IP67 |
| Ambient temperature (operation) (male connector/female connector) | -40 °C ... 85 °C (Plug / socket) |

Standards and regulations

M12

| | |
|--------------------------|------------------------------|
| Standard designation | M12 connector |
| Standards/specifications | according to IEC 61076-2-101 |

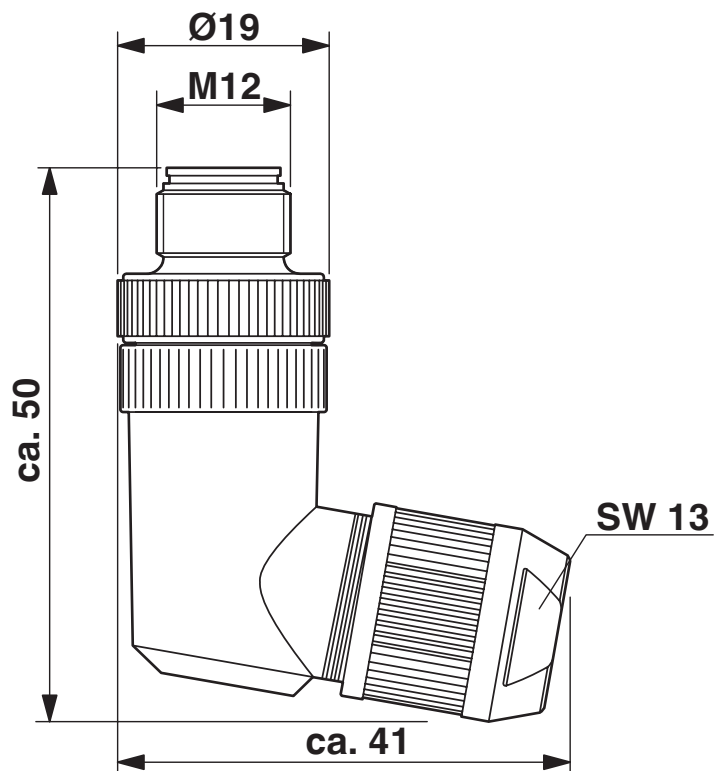
SACC-M12MRD-4Q SH PN - Data connector

1554539

<https://www.phoenixcontact.com/gb/products/1554539>

Drawings

Dimensional drawing



M12 x 1 male plug, angled, shielded

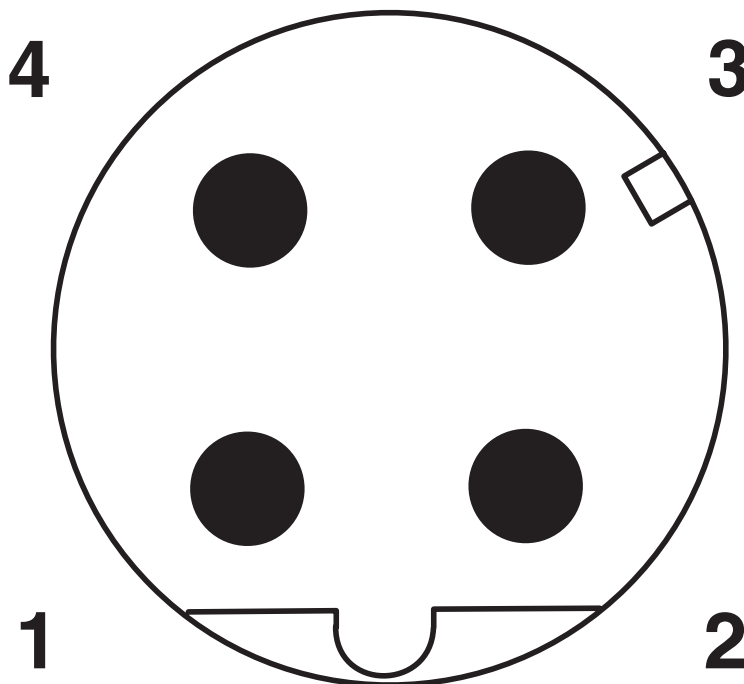
SACC-M12MRD-4Q SH PN - Data connector

1554539

<https://www.phoenixcontact.com/gb/products/1554539>



Schematic diagram



Pin assignment M12 male connector, 4-pos., D-coded, male side

SACC-M12MRD-4Q SH PN - Data connector



1554539

<https://www.phoenixcontact.com/gb/products/1554539>

Classifications

ECLASS

| | |
|-------------|----------|
| ECLASS-13.0 | 27440116 |
| ECLASS-15.0 | 27440116 |

ETIM

| | |
|-----------|----------|
| ETIM 10.0 | EC002635 |
|-----------|----------|

UNSPSC

| | |
|-------------|----------|
| UNSPSC 21.0 | 39121400 |
|-------------|----------|

SACC-M12MRD-4Q SH PN - Data connector



1554539

<https://www.phoenixcontact.com/gb/products/1554539>

Environmental product compliance

EU RoHS

| | |
|---|--------------------|
| Fulfills EU RoHS substance requirements | Yes, No exemptions |
|---|--------------------|

China RoHS

| | |
|--|--|
| Environment friendly use period (EFUP) | EFUP-E |
| | No hazardous substances above the limits |

EU REACH SVHC

| | |
|-------------------------------------|--|
| REACH candidate substance (CAS No.) | 2-(2H-benzotriazol-2-yl)-4-(1,1,3,3-tetramethylbutyl)phenol (UV-329)(CAS: 3147-75-9) |
| SCIP | 8b90fa30-8da7-43b6-8604-62d355153c4c |

EF3.1 Climate Change

| | |
|---------|---------------|
| CO2e kg | 0.562 kg CO2e |
|---------|---------------|

Phoenix Contact 2026 © - all rights reserved
<https://www.phoenixcontact.com>

PHOENIX CONTACT Ltd
Halesfield 13, Telford
Shropshire, TF7 4PG
01952 681700
info@phoenixcontact.co.uk