

# M17-08PSC8AAD00S - Device connector front mounting

1550194

<https://www.phoenixcontact.com/gb/products/1550194>

Please be informed that the data shown in this PDF document is generated from our online catalog. Please find the complete data in the user documentation. Our general terms of use for downloads are valid.



M17, Device connector front mounting, application: Data (unshielded), signals, power, series: M17 PRO, angled rotatable, for standard and ONECLICK fast locking system, contact connection type: Pin, Crimp connection, flange dimensions: 21.6 mm x 21.6 mm, coding: Type 2B (based on IEC 61076-2-117), Item is lead-free in accordance with RoHS II without Exemption 6c (Pb < 0.1 %)

## Your advantages

- Solutions with cross-manufacturer compatibility for standard and fast locking systems
- Modern, consistent design for highly convenient operation
- Crimping connection: vibration- and temperature-resistant assembly
- All housing can be fitted with pin or socket contacts
- Safe use in the field, thanks to high degree of protection

## Commercial data

Item number	1550194
Packing unit	20 pc
Minimum order quantity	20 pc
Sales key	ABRCAM
Product key	ABRCAM
GTIN	4067923026131
Weight per piece (including packing)	79.4 g
Weight per piece (excluding packing)	79 g
Customs tariff number	85366990
Country of origin	Information on the country of origin is provided with the delivery.

# M17-08PSC8AAD00S - Device connector front mounting



1550194

<https://www.phoenixcontact.com/gb/products/1550194>

## Technical data

### Notes

Order information:	Order crimp contacts separately
--------------------	---------------------------------

### Safety note

Safety note	WARNING: The connectors may not be plugged in or disconnected under load. Ignoring the warning or improper use may damage persons and/or property.
	• WARNING: Commission properly functioning products only. The products must be regularly inspected for damage. Decommission defective products immediately. Replace damaged products. Repairs are not possible.
	• WARNING: Only electrically qualified personnel may install and operate the product. They must observe the following safety notes. The qualified personnel must be familiar with the basics of electrical engineering. They must be able to recognize and prevent danger. The relevant symbol on the packaging indicates that only personnel familiar with electrical engineering are allowed to install and operate the product.
	• The products are suitable for applications in plant, controller, and electrical device engineering.
	• When operating the connectors in outdoor applications, they must be separately protected against environmental influences.
	• Assembled products may not be manipulated or improperly opened.
	• Only use mating connectors that are specified in the technical data of the standards listed (e.g. the ones listed in the product accessories online at <a href="https://www.phoenixcontact.com/products">phoenixcontact.com/products</a> ).
	• When using the product in direct connection with third-party manufacturers, the user is responsible.
	• For operating voltages > 50 V AC, conductive connector housings must be grounded
	• Ensure that the protective or functional ground has been properly connected.
	• VDE 0100/1.97 § 411.1.3.2 and DIN EN 60 204/11.98 § 14.1.3 are applicable when combining several circuits in a cable and/or connector
	• Only use tools recommended by Phoenix Contact
	• The installation notes/Design In documents online on the download page at <a href="https://www.phoenixcontact.com/products">phoenixcontact.com/products</a> must be observed for this product.
	• Operate the connector only when it is fully plugged in and interlocked.

# M17-08PSC8AAD00S - Device connector front mounting



1550194

<https://www.phoenixcontact.com/gb/products/1550194>

warnings (e.g. DIN EN ISO 13732-1:2008-12).

## Product properties

Product type	Circular connectors (device side)
Product family	M17 PRO HYBRID
Series	M17 PRO

## Connector

### Insulating body

Note	Order information: Order crimp contacts separately. The contact assignment can be found in the installation notes.
Coding	Type 2B (based on IEC 61076-2-117)
Material (Insulating body)	PA 6.6
Flammability rating according to UL 94	V0
Insertion/withdrawal cycles	100
Connection method	Crimp connection
Contact switching type	Pin
Application	Data (unshielded), signals, power
Number of positions	12
Installation height	3000 m
Number (Power contacts)	4
Contact diameter (Power contacts)	1 mm
Litz wires Min. cross section (Power contacts)	0.06 mm <sup>2</sup>
Litz wires Max. cross section (Power contacts)	1.5 mm <sup>2</sup>
Rated current Contact (Power contacts)	16 A (for max. connection cross section)
Rated voltage Contact (Power contacts)	50 V
Rated surge voltage	0.8 kV
Number (Data contacts)	4
Contact diameter (Data contacts)	0.6 mm
Litz wires Max. cross section (Data contacts)	0.34 mm <sup>2</sup>
Rated current Contact (Data contacts)	3.6 A (for max. connection cross section)
Rated voltage Contact (Data contacts)	50 V
Rated surge voltage	0.8 kV
Overvoltage category	III
Degree of pollution	3
Number (Signal contact group 1)	2
Contact diameter (Signal contact group 1)	1 mm
Litz wires Max. cross section (Signal contact group 1)	0.75 mm <sup>2</sup>
Rated current Contact (Signal contact group 1)	11 A (for max. connection cross section)
Rated voltage Contact (Signal contact group 1)	50 V
Rated surge voltage	0.8 kV
Overvoltage category	III
Degree of pollution	3

# M17-08PSC8AAD00S - Device connector front mounting



1550194

<https://www.phoenixcontact.com/gb/products/1550194>

## Housing

Type	Flange housing
Thread type	M17
Design	angled rotatable
Type of locking	for standard and ONECLICK fast locking system
Mounting type	Front mounting/square flange (4x Ø 2.7 mm)
Flange dimensions	21.6 mm x 21.6 mm
Material (Housing)	GD-Zn
Material (Seal)	FKM
Degree of protection (plugged in)	IP67 IP68 (2 m / 24 h)

## Environmental and real-life conditions

### Ambient conditions

Ambient temperature (operation)	-40 °C ... 105 °C (see derating curve)
---------------------------------	--

## Standards and regulations

Standard designation	M17 Hybrid
Standards/specifications	based on IEC 61076-2-117

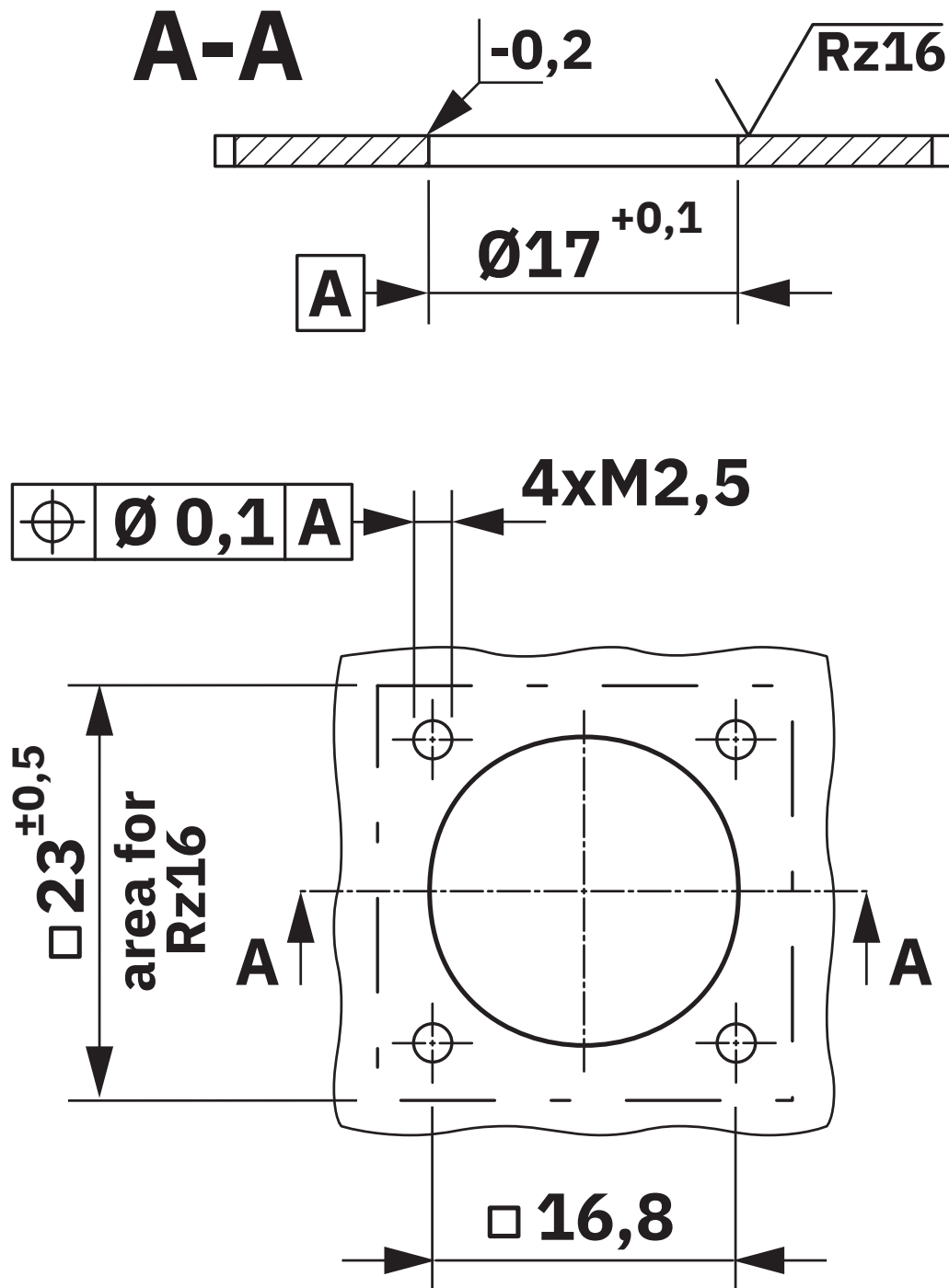
# M17-08PSC8AAD00S - Device connector front mounting

1550194

<https://www.phoenixcontact.com/gb/products/1550194>

## Drawings

Dimensional drawing



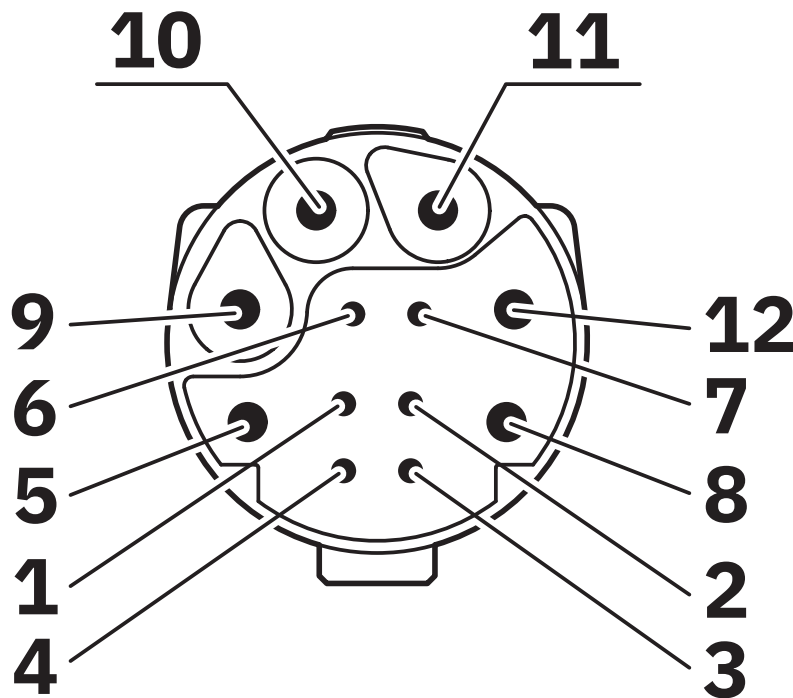
Installation dimensions

# M17-08PSC8AAD00S - Device connector front mounting

1550194

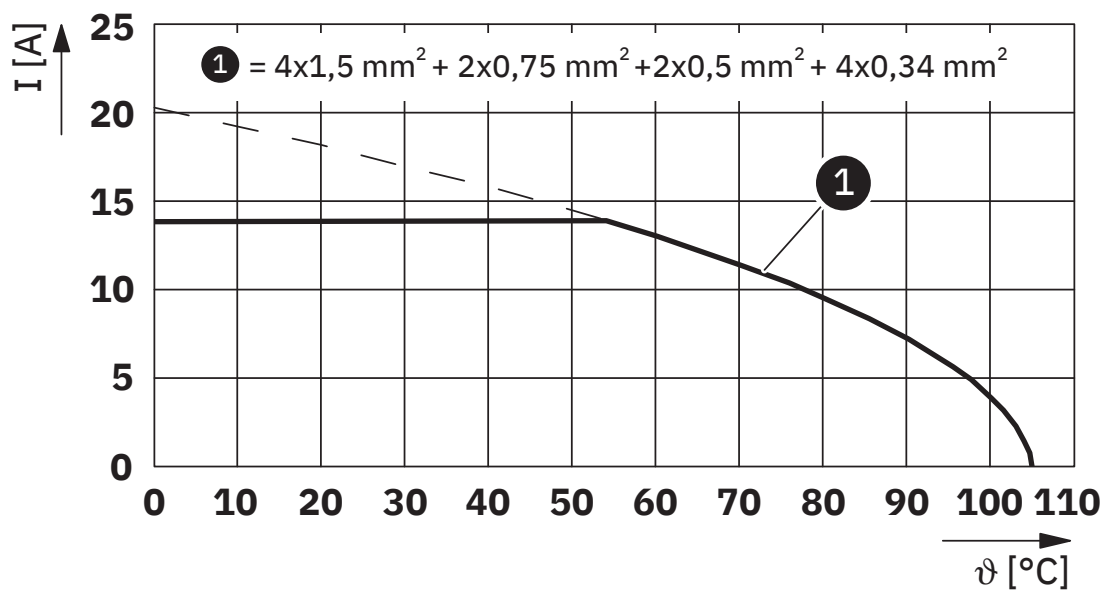
<https://www.phoenixcontact.com/gb/products/1550194>

Schematic diagram



Pin assignment of pin

Diagram



$I$  = current strength,  $\vartheta$  = ambient temperature, 4 x 14 A + 4 x 2 A constant + 4 x 0.1 A constant

# M17-08PSC8AAD00S - Device connector front mounting



1550194

<https://www.phoenixcontact.com/gb/products/1550194>

## Approvals

To download certificates, visit the product detail page: <https://www.phoenixcontact.com/gb/products/1550194>



**UL Listed**

Approval ID: E221474



**cUL Listed**

Approval ID: E221474

# M17-08PSC8AAD00S - Device connector front mounting



1550194

<https://www.phoenixcontact.com/gb/products/1550194>

## Classifications

### ECLASS

ECLASS-13.0	27440109
ECLASS-15.0	27440109

### ETIM

ETIM 10.0	EC003569
-----------	----------

# M17-08PSC8AAD00S - Device connector front mounting



1550194

<https://www.phoenixcontact.com/gb/products/1550194>

## Environmental product compliance

### EU RoHS

Fulfills EU RoHS substance requirements	Yes, No exemptions
---	--------------------

### China RoHS

Environment friendly use period (EFUP)	EFUP-E
	No hazardous substances above the limits

### EU REACH SVHC

REACH candidate substance (CAS No.)	No substance above 0.1 wt%
-------------------------------------	----------------------------

Phoenix Contact 2026 © - all rights reserved  
<https://www.phoenixcontact.com>

PHOENIX CONTACT Ltd  
Halesfield 13, Telford  
Shropshire, TF7 4PG  
01952 681700  
[info@phoenixcontact.co.uk](mailto:info@phoenixcontact.co.uk)