

# MCS-78X64-C-S-5015 - Housing frame



1524478

<https://www.phoenixcontact.com/gb/products/1524478>

Please be informed that the data shown in this PDF document is generated from our online catalog. Please find the complete data in the user documentation. Our general terms of use for downloads are valid.

Housing frame, Hinged cover (transparent), color: blue (similar RAL 5015)



## Your advantages

- Convenient operation during device installation and maintenance thanks to optional hinges on the housing cover
- Flexible mounting thanks to the optional adapter plate
- Safe operation with the right degree of protection
- Individualized product selection due to the modular system
- Optimized PCB installation: PCB can be installed in a nearly horizontal orientation thanks to the angled housing edge

## Commercial data

Item number	1524478
Packing unit	10 pc
Minimum order quantity	10 pc
Sales key	ACFFAB
Product key	ACFFAB
GTIN	4063151992118
Weight per piece (including packing)	23.95 g
Weight per piece (excluding packing)	15.64 g
Customs tariff number	84879090
Country of origin	DE

# MCS-78X64-C-S-5015 - Housing frame

1524478

<https://www.phoenixcontact.com/gb/products/1524478>

## Technical data

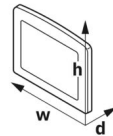
### Notes

Assembly note	Please observe the assembly instructions available in the download area.
Recommendation	Further information and detailed dimensions are available in the download area.

### Product properties

Product type	Cover
Housing type	Field housing
Housing series	MCS
Product family	MCS-78X64
Ventilation openings present	no

### Dimensions

Dimensional drawing	
Dimensions	78.3 mm x 64.3 mm x 11.2 mm 56.2 mm x 37.7 mm x 8 mm

### Material specifications

Color (Housing)	blue (RAL 5015)
Color (Window)	transparent
Material Housing	PA-GF
Material Window	PC
Flammability rating according to UL 94	V0
CTI according to IEC 60112	600

### Mounting

Mounting type	Latching
Mounting position	any

### Packaging specifications

Type of packaging	Box packaging
-------------------	---------------

# MCS-78X64-C-S-5015 - Housing frame

1524478

<https://www.phoenixcontact.com/gb/products/1524478>



## Drawings

Dimensional drawing



Schematic representation – for additional information, see product range drawing in the Download Center

# MCS-78X64-C-S-5015 - Housing frame



1524478

<https://www.phoenixcontact.com/gb/products/1524478>

## Classifications

### ECLASS

ECLASS-13.0	27190605
ECLASS-15.0	27190605

### ETIM

ETIM 10.0	EC002779
-----------	----------

# MCS-78X64-C-S-5015 - Housing frame



1524478

<https://www.phoenixcontact.com/gb/products/1524478>

## Environmental product compliance

### EU RoHS

Fulfills EU RoHS substance requirements	Yes, No exemptions
---	--------------------

### China RoHS

Environment friendly use period (EFUP)	EFUP-E
	No hazardous substances above the limits

### EU REACH SVHC

REACH candidate substance (CAS No.)	No substance above 0.1 wt%
-------------------------------------	----------------------------

Phoenix Contact 2026 © - all rights reserved  
<https://www.phoenixcontact.com>

PHOENIX CONTACT Ltd  
Halesfield 13, Telford  
Shropshire, TF7 4PG  
01952 681700  
[info@phoenixcontact.co.uk](mailto:info@phoenixcontact.co.uk)