

# AXL E IOL DI8 M12 3M - Digital module



1480996

<https://www.phoenixcontact.com/gb/products/1480996>

Please be informed that the data shown in this PDF document is generated from our online catalog. Please find the complete data in the user documentation. Our general terms of use for downloads are valid.



Axioline E, Digital input device, IO-Link ports Class A: 1, connection method: M12 connector, A-coded, connection technology: 3-conductor, Digital inputs: 8, 24 V DC, connection technology: 4-conductor, IO-Link, degree of protection: IP65/IP67/IP69

## Product description

You can connect this Axioline E device to an IO-Link master via an IO-Link A port. You can use this device to acquire digital signals via IO-Link. Use within different networks is possible via the IO-Link master.

## Your advantages

- Connection to an IO-Link master with M12 connector (A-coded, 4-pos.)
- Type A port
- IO-Link specification V1.1.3
- Connection of up to 8 inputs with M12 connectors (A-coded, 5-pos.)
- Diagnostic and status indicators
- Single-channel diagnostics
- Short-circuit and overload protection of the sensor supply
- Device rating plate stored
- IP65/IP67/IP69 degree of protection

## Commercial data

Item number	1480996
Packing unit	1 pc
Minimum order quantity	1 pc
Sales key	DRI7MF
Product key	DRI7MF
GTIN	4063151900403
Weight per piece (including packing)	293.7 g
Weight per piece (excluding packing)	279 g
Customs tariff number	85176200
Country of origin	DE

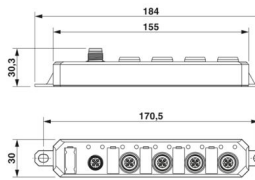
# AXL E IOL DI8 M12 3M - Digital module

1480996

<https://www.phoenixcontact.com/gb/products/1480996>

## Technical data

### Dimensions

Dimensional drawing	
Width	30 mm
Height	184 mm
Depth	30.3 mm

### Notes

#### Note on application

Note on application	Only for industrial use
---------------------	-------------------------

### Material specifications

Color (Housing)	zinc color
Housing material	Die-cast zinc

### Input data

#### Digital:

Input name	Digital inputs
Description of the input	IEC 61131-2 types 1 and 3
Number of inputs	8
Cable length	max. 30 m (to the sensor)
Connection method	M12 connector, A-coded
Note on the connection method	Push-pull fast connection according to IEC 61076-2-010 or screw connection according to IEC 61076-2-101
Connection technology	4-conductor
Input voltage range "0" signal	-3 V ... 5 V DC
Input voltage range "1" signal	11 V DC ... 30 V DC
Nominal input voltage $U_{IN}$	24 V DC
Nominal input current at $U_{IN}$	typ. 2.5 mA
Input filter time	1 ms
Protective circuit	Reverse polarity protection; yes
	Short-circuit protection; yes
	Overload protection; yes

#### IO-Link

Number of ports	1
Connection method	M12 connector, A-coded

# AXL E IOL DI8 M12 3M - Digital module



1480996

<https://www.phoenixcontact.com/gb/products/1480996>

Note on the connection method	Push-pull fast connection according to IEC 61076-2-010 or screw connection according to IEC 61076-2-101
Connection technology	3-conductor
Port type	Class A
Specification	V1.1.3
Reverse polarity protection	yes
Transmission speed	230.4 kbps (COM3)
Cycle Time	1 ms
Amount of process data	2 Byte (Input data) 0 Byte (Output data)

## Product properties

Product type	I/O component
Product family	Axioline E
Type	Stand-alone
Special properties	IO-Link

## Insulation characteristics

Pollution degree	2 (IEC 60664-1, EN 60664-1)
------------------	-----------------------------

## Electrical properties

### Supply: IO-Link

Designation	IO-Link port supply (L+)
Nominal voltage for I/O supply	24 V DC (Provided via the IO-Link interface of the IO-Link master.)
Supply voltage range	18 V DC ... 30 V DC (including all tolerances, including ripple)
Nominal current per device	typ. 30 mA
Current consumption	max. 800 mA (device dependent; observe the current of the IO-Link master that is made available via L+)
Protective circuit	Reverse polarity protection; yes

### Supply: Sensors

Designation	Supply of the sensors (from L+)
Current consumption	max. 800 mA (per port) max. 800 mA (device dependent; observe the current of the IO-Link master that is made available via L+)

## Electrical isolation/isolation of the voltage ranges

Test voltage: 24 V supply L+ (IO-Link)/functional ground	500 V AC, 50 Hz, 1 min
--	------------------------

## Connection data

Connection method	M12 connector
Tightening torque	0.4 Nm

## Environmental and real-life conditions

### Ambient conditions

1480996

<https://www.phoenixcontact.com/gb/products/1480996>

Ambient temperature (operation)	-25 °C ... 70 °C
Degree of protection	IP65/IP67/IP69 IK08 (Impact resistance level)
Air pressure (operation)	70 kPa ... 106 kPa (up to 3000 m above sea level)
Air pressure (storage/transport)	70 kPa ... 106 kPa (up to 3000 m above sea level)
Ambient temperature (storage/transport)	-25 °C ... 85 °C
Permissible humidity (operation)	5 % ... 95 %
Permissible humidity (storage/transport)	5 % ... 95 %

#### Mechanical test

Vibration resistance in accordance with EN 60068-2-6/IEC 60068-2-6	5g
Shock in accordance with EN 60068-2-27/IEC 60068-2-27	30g
Continuous shock in accordance with EN 60068-2-27/IEC 60068-2-27	10g

#### Test (noxious gas)

Test standard	IEC 60068-2-60:2015 Method 4
Temperature	25 °C ±1 K
Humidity (relative)	75 % ±3 %
Test duration	14 Days
Volume concentration H <sub>2</sub> S (Hydrogen sulfide)	10 ppb ±5 ppb
Volume concentration NO <sub>2</sub> (Nitrogen dioxide)	200 ppb ±20 ppb
Volume concentration Cl <sub>2</sub> (Chlorine)	10 ppb ±5 ppb
Volume concentration SO <sub>2</sub> (Sulfur dioxide)	200 ppb ±20 ppb

#### Test (Salt spray)

Test standard	DIN EN 60068-2-52
Number of cycles	4
Test steps per cycle	2
Test duration (Total)	168 h
Test step (Salt mist)	2 h with 5 % ±0.5 % NaCl, pH value 6.5...7.2 for 35 °C ±2 K
Test step (Humidity)	166 h with 93 % ±3 % Humidity for 40 °C ±2 K

#### Standards and regulations

Protection class	III (IEC 61140, EN 61140, VDE 0140-1)
------------------	---------------------------------------

#### Mounting

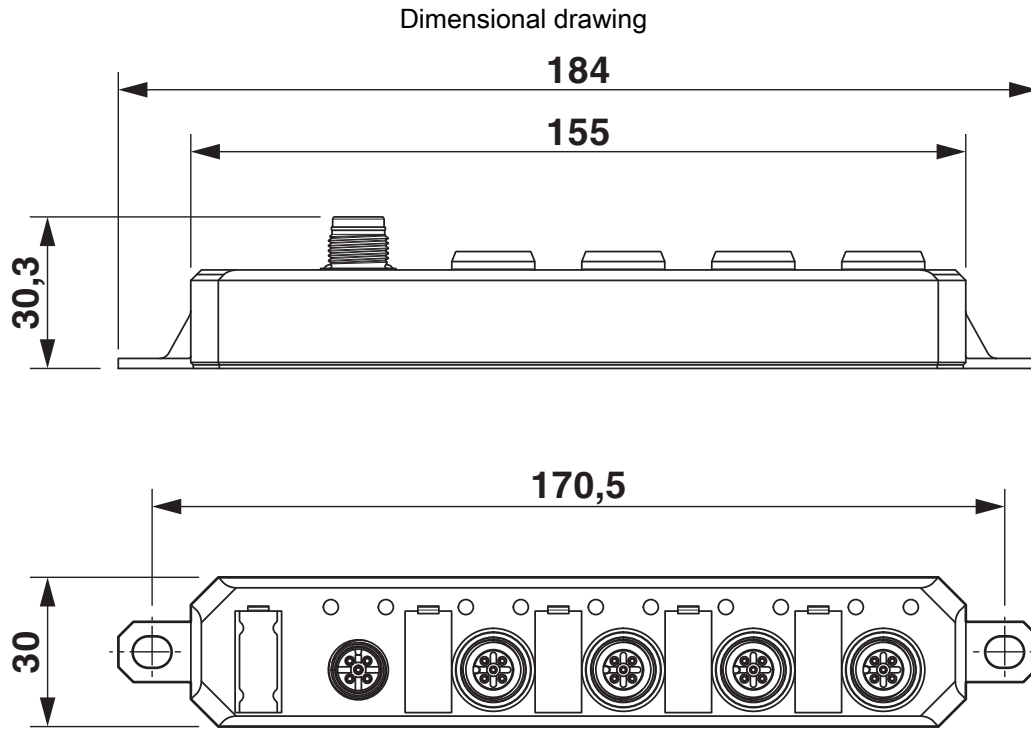
Mounting type	Screw mounting
---------------	----------------

# AXL E IOL DI8 M12 3M - Digital module

1480996

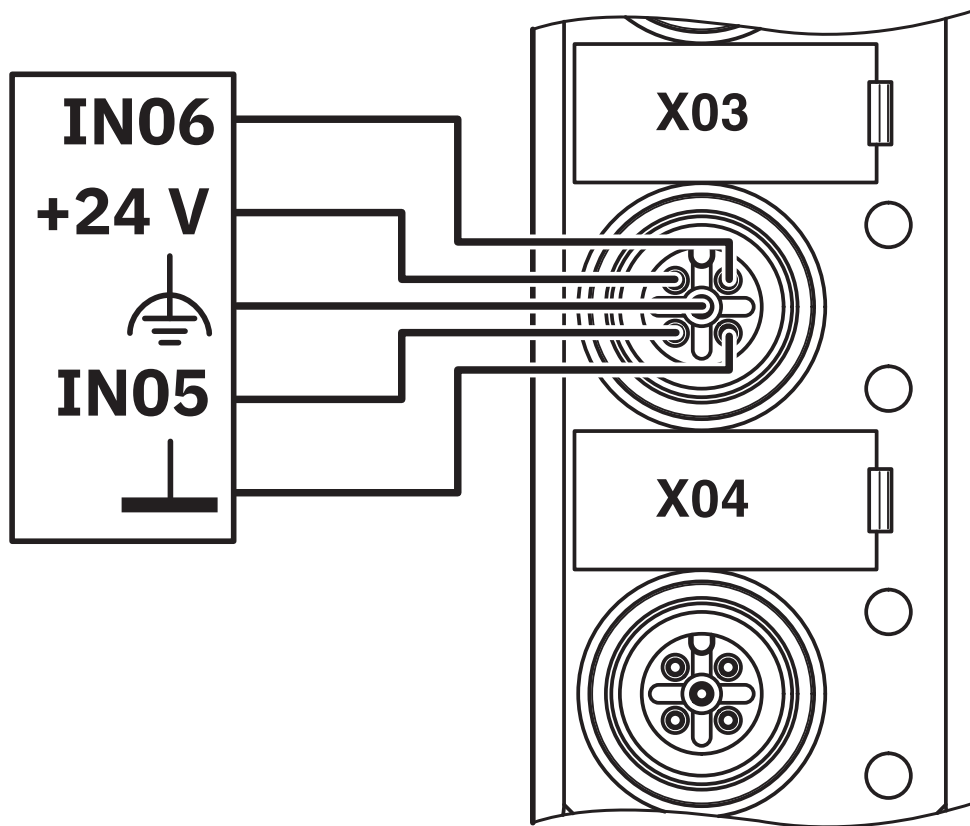
<https://www.phoenixcontact.com/gb/products/1480996>

## Drawings



Dimensions (in mm)

Connection diagram



Connection example

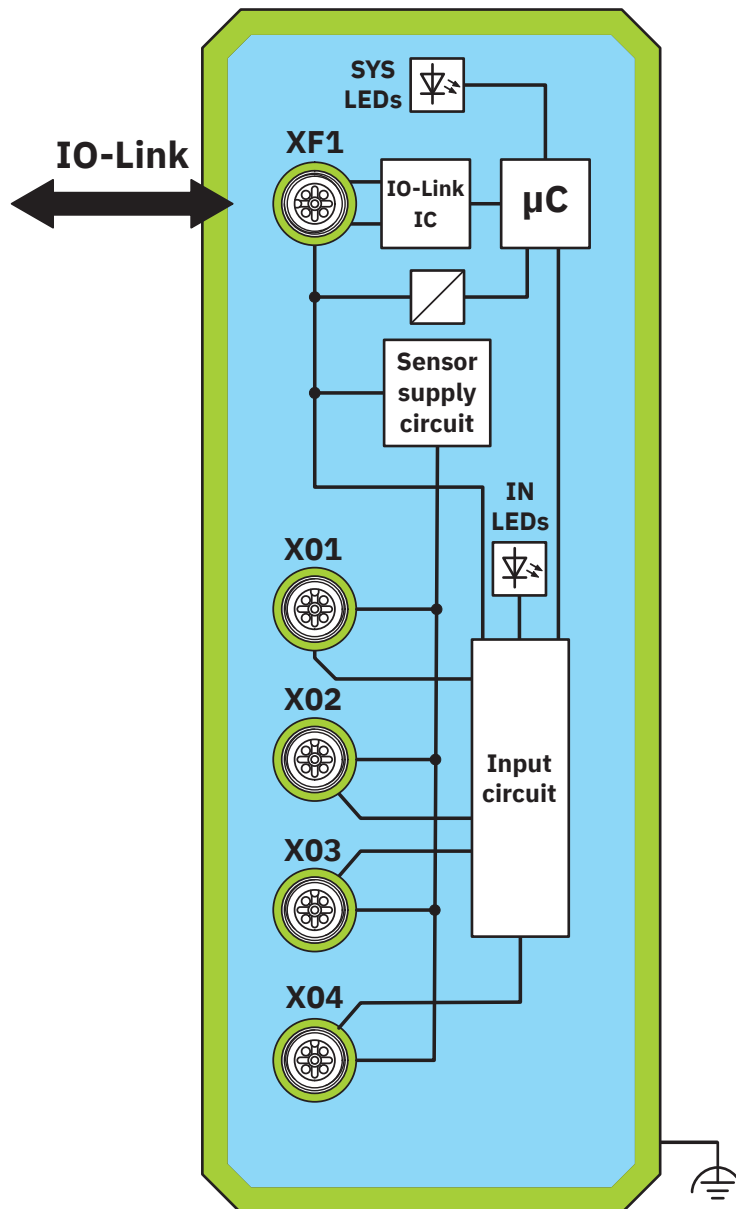
# AXL E IOL DI8 M12 3M - Digital module

1480996

<https://www.phoenixcontact.com/gb/products/1480996>



Block diagram



Basic circuit diagram

# AXL E IOL DI8 M12 3M - Digital module



1480996

<https://www.phoenixcontact.com/gb/products/1480996>

## Classifications

### ECLASS

ECLASS-13.0	27242604
ECLASS-15.0	27242604

### ETIM

ETIM 10.0	EC001599
-----------	----------

### UNSPSC

UNSPSC 21.0	32151600
-------------	----------

1480996

<https://www.phoenixcontact.com/gb/products/1480996>

## Environmental product compliance

### EU RoHS

Fulfills EU RoHS substance requirements	Yes
Exemption	7(a), 7(c)-I

### China RoHS

Environment friendly use period (EFUP)	EFUP-50
	An article-related China RoHS declaration table can be found in the download area for the respective article under "Manufacturer declaration". For all articles with EFUP-E, no China RoHS declaration table issued and required.

### EU REACH SVHC

REACH candidate substance (CAS No.)	Lead(CAS: 7439-92-1)
-------------------------------------	----------------------

Phoenix Contact 2026 © - all rights reserved  
<https://www.phoenixcontact.com>

PHOENIX CONTACT Ltd  
Halesfield 13, Telford  
Shropshire, TF7 4PG  
01952 681700  
[info@phoenixcontact.co.uk](mailto:info@phoenixcontact.co.uk)