

PRC 20/3-C1-FT25-MC2,5 SET50 - Device connector front mounting



1468373

<https://www.phoenixcontact.com/gb/products/1468373>

Please be informed that the data shown in this PDF document is generated from our online catalog. Please find the complete data in the user documentation. Our general terms of use for downloads are valid.



Device connector front mounting, Range of articles: PRC 20, color: black, number of positions: 3, min. conductor cross-section: 0.5 mm², max. conductor cross-section: 2.5 mm², rated voltage: 400 V, rated current: 20 A, Connection method: Crimp connection, Setting option for release: 1. with a tool or 2. by hand

Your advantages

- More space on the device front with current transmission up to 20 A in a minimum amount of space
- Duo-Unlock technology for greater flexibility during installation and maintenance
- Reliable use under extreme ambient conditions with high degrees of protection and impact resistance
- Simple handling with proven crimp or screw connection technology
- Mechanical and color coding for quick and error-free startup

Commercial data

Item number	1468373
Packing unit	50 pc
Minimum order quantity	50 pc
Note	Made to order (non-returnable)
Sales key	ABLHAC
Product key	ABLHAC
GTIN	4063151866129
Weight per piece (including packing)	18.75 g
Weight per piece (excluding packing)	16.575 g
Customs tariff number	85389099
Country of origin	PL

PRC 20/3-C1-FT25-MC2,5 SET50 - Device connector front mounting



1468373

<https://www.phoenixcontact.com/gb/products/1468373>

Technical data

Notes

Order information:	Setting option for release: 1. with a tool or 2. by hand
Note on application	For assembly notes, please refer to the packing slip

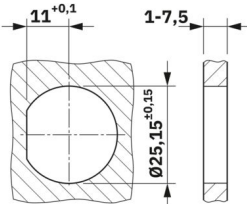
Product properties

Product type	Panel feed-through
Product family	PRC 20
Number of positions	3
Connection profile	2+PE
Coding	3-C1

Insulation characteristics

Protection class	II
------------------	----

Dimensions

Dimensional drawing	
Width	34 mm
Height	38.4 mm
Length	52 mm

Electrical properties

Rated voltage	400 V (III/2.00) in accordance with IEC 61984
	400 V AC (III/2.00) in accordance with IEC 61535
	600 V AC / DC (III/2.00) in accordance with UL 2238 / UL 2237
	500 V DC (III/2.00) in accordance with IEC 61535
Rated current	20 A (With 2.5 mm ² conductor cross-section in accordance with IEC 61535)

Material specifications

Color (Housing)	black (RAL 9005)
Material Housing	PPE
Material Contact carrier	PPE
Material Cable gland	PC
Material Contact	CuZn (Contact material, Pb < 0.1)

PRC 20/3-C1-FT25-MC2,5 SET50 - Device connector front mounting



1468373

<https://www.phoenixcontact.com/gb/products/1468373>

Cable/line

Single wire, cross section	0.5 mm ² 2.5 mm ²
----------------------------	---

Environmental and real-life conditions

Ambient conditions

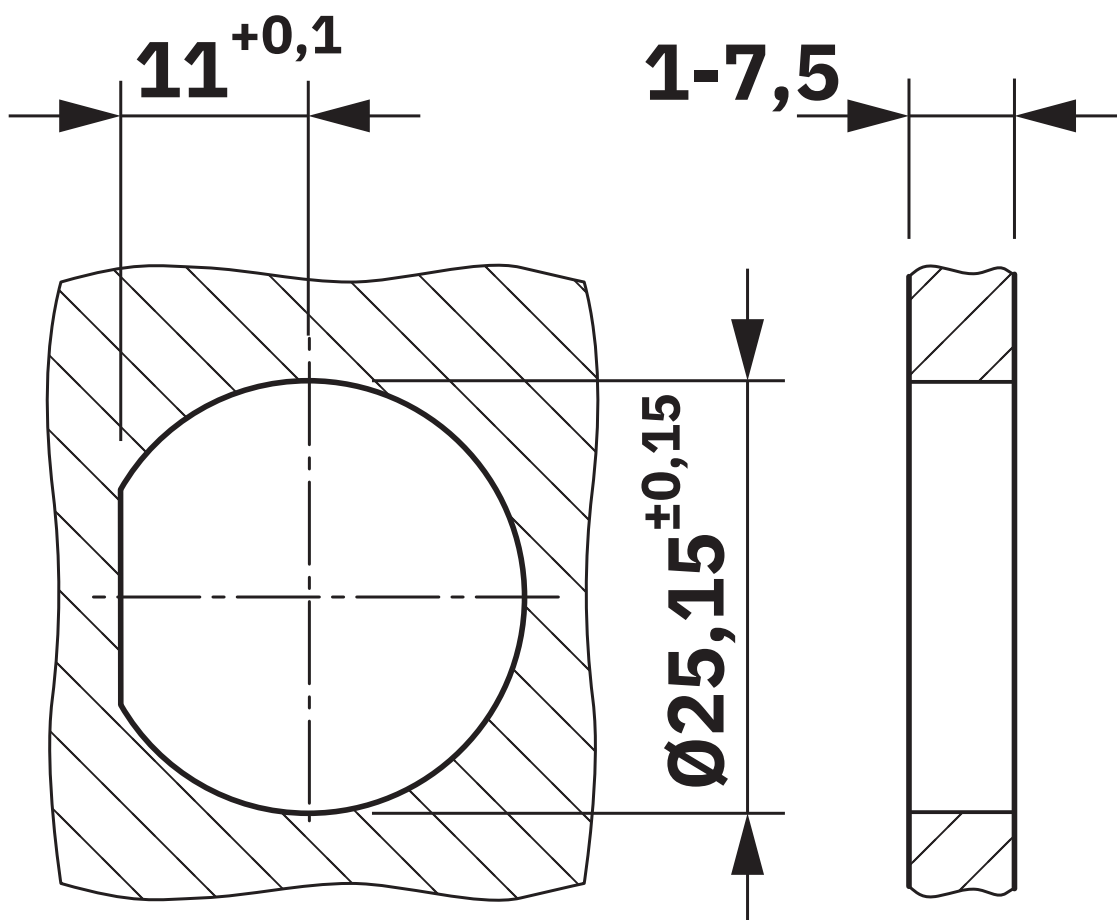
Degree of protection	IP66
	IP68 (2 m / 2 h)
	IP69

1468373

<https://www.phoenixcontact.com/gb/products/1468373>

Drawings

Dimensional drawing



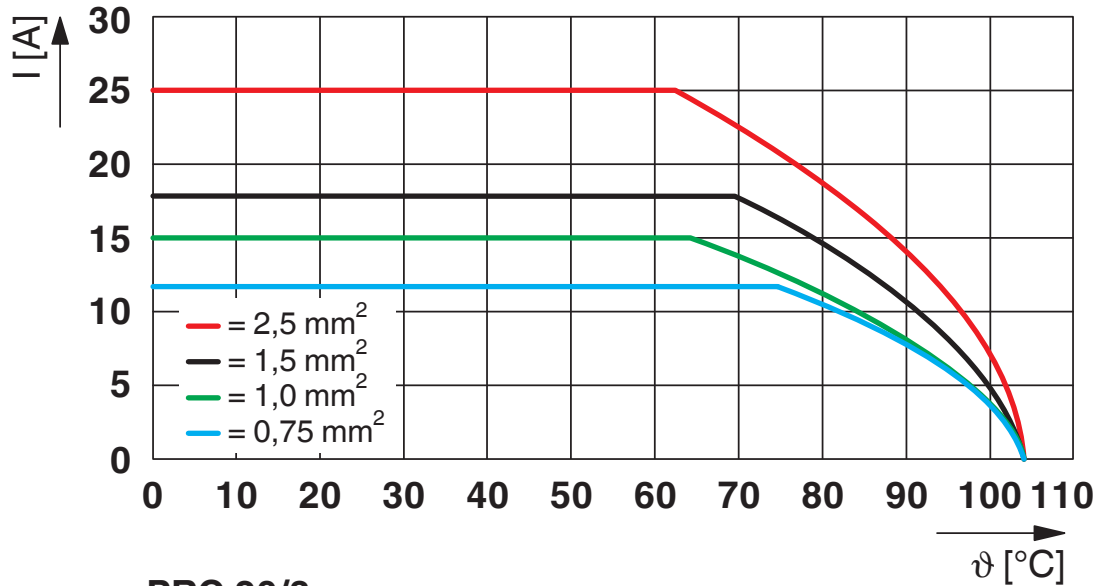
PRC 20/3-C1-FT25-MC2,5 SET50 - Device connector front mounting



1468373

<https://www.phoenixcontact.com/gb/products/1468373>

Diagram



PRC 20/3...
IEC 60512-5-2 / 2 conductors

Derating

PRC 20/3-C1-FT25-MC2,5 SET50 - Device connector front mounting





1468373


<https://www.phoenixcontact.com/gb/products/1468373>

Approvals

To download certificates, visit the product detail page: <https://www.phoenixcontact.com/gb/products/1468373>

 VDE Zeichengenehmigung Approval ID: 334664-TL3-1				
	Nominal voltage U_N	Nominal current I_N	Cross section AWG	Cross section mm^2
keine				
	500 V	20 A	-	0.5 - 2.5

 UL Listed Approval ID: E221474-20240312				
	Nominal voltage U_N	Nominal current I_N	Cross section AWG	Cross section mm^2
keine				
	600 V	20 A	20 - 14	-

 cUL Listed Approval ID: E221474-20240312				
	Nominal voltage U_N	Nominal current I_N	Cross section AWG	Cross section mm^2
keine				
	600 V	20 A	20 - 14	-

PRC 20/3-C1-FT25-MC2,5 SET50 - Device connector front mounting



1468373

<https://www.phoenixcontact.com/gb/products/1468373>

Classifications

ECLASS

ECLASS-13.0	27440602
ECLASS-15.0	27440602

ETIM

ETIM 10.0	EC002566
-----------	----------

PRC 20/3-C1-FT25-MC2,5 SET50 - Device connector front mounting



1468373

<https://www.phoenixcontact.com/gb/products/1468373>

Environmental product compliance

EU RoHS

Fulfills EU RoHS substance requirements	Yes, No exemptions
---	--------------------

China RoHS

Environment friendly use period (EFUP)	EFUP-E
	No hazardous substances above the limits

EU REACH SVHC

REACH candidate substance (CAS No.)	Triphenyl phosphate(CAS: 115-86-6)
-------------------------------------	------------------------------------

Phoenix Contact 2026 © - all rights reserved
<https://www.phoenixcontact.com>

PHOENIX CONTACT Ltd
Halesfield 13, Telford
Shropshire, TF7 4PG
01952 681700
info@phoenixcontact.co.uk