

TRIO3-CAP/1AC/24DC/10/6KJ/USB-485 - DC UPS with integrated power supply and capacity



1467808

<https://www.phoenixcontact.com/gb/products/1467808>

Please be informed that the data shown in this PDF document is generated from our online catalog. Please find the complete data in the user documentation. Our general terms of use for downloads are valid.



TRIO DC UPS with integrated power supply and capacitor, with maintenance-free energy storage based on double-layer capacitor, USI (Universal Service Interface), DIN rail mounting, input: 230 V AC, input:1-phase, output: 24 V DC / 10 A / 6 kJ incl. mounted UTA 107 universal DIN rail adapter

Product description

The TRIO3 capacity module combines the power supply, electronic switch-over unit, and energy storage in the same housing. The capacity module stores the energy required to bridge mains failures in maintenance-free double-layer capacitors. Several minutes of mains buffering is possible depending on the required load current. The USB-C (USI) or RS-485 interfaces make it convenient to shut down your PC.

Commercial data

| | |
|--------------------------------------|--------------------------------|
| Item number | 1467808 |
| Packing unit | 1 pc |
| Minimum order quantity | 1 pc |
| Note | Made to order (non-returnable) |
| Sales key | CMUDC3 |
| Product key | CMUDC3 |
| GTIN | 4063151864392 |
| Weight per piece (including packing) | 2,223 g |
| Weight per piece (excluding packing) | 1,768 g |
| Customs tariff number | 85322900 |
| Country of origin | CN |

TRIO3-CAP/1AC/24DC/10/6KJ/USB-485 - DC UPS with integrated power supply and capacity



1467808

<https://www.phoenixcontact.com/gb/products/1467808>

Technical data

Input data

AC operation

| | |
|---|---|
| Input voltage | 230 V AC |
| Input voltage range | 100 V AC ... 240 V AC -15 % ... +10 % 115 V AC ... 240 V AC ±10 % (UL) |
| Frequency range (f_N) | 50 Hz ... 60 Hz ±10 % |
| Derating | < 100 V AC (1 %/V) 140 V DC (1 %/V) |
| Current consumption | typ. 2.8 A (100 V AC) typ. 1.3 A (240 V AC) |
| Current consumption I_N (U_N , $I_{OUT} = I_N$, $I_{charge} = 0$) | 2.28 A (120 V AC) 1.25 A (230 V AC) |
| Current consumption I_{max} (U_N , $I_{OUT} = I_{Stat.Boost}$, $I_{charge} = max$) | 2.65 A (120 V AC) 1.42 A (230 V AC) |
| Current consumption $I_{No-Load}$ (U_N , $I_{OUT} = 0$, $I_{charge} = 0$) | 0.13 A (120 V AC) 0.11 A (230 V AC) |
| Current consumption I_{charge} (U_N , $I_{OUT} = 0$, $I_{charge} = max$) | 1.14 A (120 V AC) 0.68 A (230 V AC) |
| Power consumption P_{max} (U_N , $I_{OUT} = I_{Stat.Boost}$, $I_{charge} = max$) | 308 W (120 V AC) 304 W (230 V AC) |
| Power consumption P_N (U_N , $I_{OUT} = I_N$, $I_{charge} = 0$) | 274 W (120 V AC) 288 W (230 V AC) |
| Power consumption P_{charge} (U_N , $I_{OUT} = 0$, $I_{charge} = max$) | 129 W (120 V AC) 129 W (230 V AC) |
| Charging time | approx. (For completely discharged capacitors) |
| Recharging time | approx. 3 min |
| ON duration | ≤ 5 min (120% x P_N) ≥ 2 h (100% x P_N) |
| Switch-on time | ≤ 1 ms |
| Recommended breaker for input protection | 6 A ... 20 A (Characteristic B, C, D, K or comparable) |

DC operation

| | |
|---------------------|---|
| Input voltage range | 100 V DC ... 240 V DC ±10 % 160 V DC ... 240 V DC ±10 % (UL) |
| Current consumption | typ. 2.7 A (100 V DC) typ. 1.2 A (240 V DC) |

Output data

| | |
|------------|--|
| Efficiency | typ. 94.4 % (230 V AC) typ. 93.4 % (120 V AC) |
|------------|--|

TRIO3-CAP/1AC/24DC/10/6KJ/USB-485 - DC UPS with integrated power supply and capacity



1467808

<https://www.phoenixcontact.com/gb/products/1467808>

| | |
|--|--|
| Short-circuit-proof | yes |
| No-load proof | yes |
| Crest factor | typ. 1.58 (120 V AC) |
| | typ. 1,7 (230 V AC) |
| Connection in parallel | yes, for increased performance (up to max. 180%) |
| Connection in series | yes |
| Feedback voltage resistance | ≤ 35 V DC |
| Protection against overvoltage at the output (OVP) | ≤ 35 V DC |
| Residual ripple | < 100 mV |
| Rise time | ≤ 1 s (U_{OUT} (10 % ... 90 %)) |

Mains operation

| | |
|---|--|
| Output voltage | 24 V DC ±2 % |
| Output voltage range | 24 V DC ... 28 V DC (> 24 V constant capacity) |
| Output current I_N | 10 A |
| Dynamic Boost ($I_{Dyn.Boost}$) | 15 A (5 s) |
| Dynamic BOOST (ICAP.Boost) | 35 A (350 ms) |
| Output power P_{OUT} ($U_N, I_{OUT} = I_N$) | 240 W |
| Output power P_{OUT} ($U_N, I_{OUT} = I_{stat.Boost}$) | 840 W (350 ms) |
| Output power P_{OUT} ($U_N, I_{OUT} = I_{dyn.Boost}$) | 360 W (5 s) |
| Power dissipation Nominal load ($U_N, I_{Out} = I_N, I_{Charge} = 0$) | 14.15 W |
| Short-circuit-proof | yes |
| Idling-proof | yes |

Battery operation

| | |
|---|--|
| Output voltage | 23.5 V DC ±2 % |
| Output voltage range | 23.5 V DC ... 27.5 V DC (> 24 V constant capacity) |
| Output current I_N | 10 A |
| Dynamic Boost ($I_{Dyn.Boost}$) | 15 A (5 s) |
| Dynamic BOOST (ICAP.Boost) | 35 A (350 ms) |
| Output power P_{OUT} ($U_N, I_{OUT} = I_N$) | 240 W |
| Power dissipation No load ($U_N, I_{Out} = 0, I_{Charge} = 0$) | 5 W |
| Power dissipation Nominal load ($U_N, I_{Out} = I_N, I_{Charge} = 0$) | 18 W |
| Power loss nominal load max. | 15 W (230 V AC) |
| Maximum no-load power dissipation | 6 W (230 V AC) |
| Output current limit | 35 A (350 ms) |
| Recovery time | 55 s (dyn. Boost) |
| Short-circuit-proof | yes |
| Idling-proof | yes |

Energy storage

Input

| | |
|------------------|-------------|
| Charging current | 1 A ... 5 A |
|------------------|-------------|

TRIO3-CAP/1AC/24DC/10/6KJ/USB-485 - DC UPS with integrated power supply and capacity




1467808

<https://www.phoenixcontact.com/gb/products/1467808>

| | |
|-------------------------|------------------------|
| Charging power | 24 W |
| General | |
| Capacity | 6 kJ |
| Storage medium | Double-layer capacitor |
| Permissible backup fuse | B10 |

Connection data

Input

| | |
|----------------|--|
| Position | 1.x |
| Identification | 1.1 (L/+), 1.2 (N/-), 1.3 (⊕ ) |

Conductor connection

| | |
|--|--|
| Connection method | Push-in spring connection |
| rigid | 0.2 mm ² ... 4 mm ² |
| | 1.5 mm ² (recommended) |
| flexible | 0.2 mm ² ... 2.5 mm ² |
| | 1.5 mm ² (recommended) |
| flexible with ferrule without plastic sleeve | 0.25 mm ² ... 2.5 mm ² |
| | 1.5 mm ² (recommended) |
| flexible with ferrule with plastic sleeve | 0.25 mm ² ... 2.5 mm ² |
| | 1.5 mm ² (recommended) |
| AWG | 24 ... 12 |
| | 16 (recommended) |
| Stripping length | 10 mm |

Output

| | |
|----------------|------------------|
| Position | 2.x |
| Identification | 2.1 (+), 2.2 (-) |

Conductor connection

| | |
|--|--|
| Connection method | Push-in spring connection |
| rigid | 0.2 mm ² ... 10 mm ² |
| | 4 mm ² (recommended) |
| flexible | 0.2 mm ² ... 6 mm ² |
| | 4 mm ² (recommended) |
| flexible with ferrule without plastic sleeve | 0.25 mm ² ... 2.5 mm ² |
| | 4 mm ² (recommended) |
| flexible with ferrule with plastic sleeve | 0.25 mm ² ... 1.5 mm ² |
| | 4 mm ² (recommended) |
| AWG | 24 ... 12 |
| | 12 (recommended) |
| Stripping length | 10 mm |

TRIO3-CAP/1AC/24DC/10/6KJ/USB-485 - DC UPS with integrated power supply and capacity



1467808

<https://www.phoenixcontact.com/gb/products/1467808>

Signal

| | |
|----------------|--|
| Position | 3.x |
| Identification | 3.1 (Mains Mode), 3.2 (Alarm), 3.3 (Ready), 3.4 (Remote) |

Conductor connection

| | |
|--|---|
| Connection method | Push-in spring connection |
| rigid | 0.2 mm ² ... 1.5 mm ² |
| | 0.5 mm ² |
| flexible | 0.2 mm ² ... 1.5 mm ² |
| | 0.5 mm ² |
| flexible with ferrule without plastic sleeve | 0.25 mm ² ... 1.5 mm ² |
| | 0.5 mm ² |
| flexible with ferrule with plastic sleeve | 0.25 mm ² ... 0.75 mm ² |
| | 0.5 mm ² |
| AWG | 24 ... 16 |
| | 20 |
| Stripping length | 10 mm |

Interfaces

Communication

| | |
|-------------------|--------|
| Connection method | RS-485 |
|-------------------|--------|

Communication

| | |
|-------------------|-----------------------------------|
| Connection method | USI (USB-C) |
| Interface | USI (Universal Service Interface) |
| | RS-485 |

Signaling

Signal state Mains_Mode

| | |
|--------------------------------|--|
| Connection labeling | 3.1 Mains Mode |
| Channel | DO (digital output) |
| Switching contact | non-floating |
| State condition (configurable) | High: $U_{out} > U_{set} - 2V \pm \text{[tolerance]}$ and $U_{out} < 30.5 \pm \text{[tolerance]}$ Low: $U_{out} < U_{set} - 2V \pm \text{[tolerance]}$ or $U_{out} > 30.5 \pm \text{[tolerance]}$ Device is in buffer mode |
| Output can be loaded | 20 mA |
| State - signal assignment | active - high |
| Reference potential | GND (2.2 negative pole) |
| LED status indicator | green |
| Resistance | 1.2 k Ω (Pull-up) |

Signal state Alarm

| | |
|---------------------|-----------|
| Connection labeling | 3.2 Alarm |
|---------------------|-----------|

TRIO3-CAP/1AC/24DC/10/6KJ/USB-485 - DC UPS with integrated power supply and capacity



1467808

<https://www.phoenixcontact.com/gb/products/1467808>

| | |
|--------------------------------|-------------------------|
| Channel | DO (digital output) |
| Switching contact | non-floating |
| State condition (configurable) | Alarm threshold |
| Output can be loaded | 20 mA |
| State - signal assignment | NC (Normally Closed) |
| Current carrying capacity | 20 mA |
| Reference potential | GND (2.2 negative pole) |
| LED status indicator | red |
| Resistance | 1.2 kΩ (Pull-up) |

Signal state Ready

| | |
|--------------------------------|--|
| Connection labeling | 3.3 Ready |
| Channel | DO (digital output) |
| Switching contact | non-floating |
| State condition (configurable) | High: CAPs are fully charged Device is in buffer mode Low: CAPs are charging |
| Output can be loaded | 20 mA |
| State - signal assignment | active - high |
| Current carrying capacity | 20 mA |
| Reference potential | GND (2.2 negative pole) |
| LED status indicator | green |
| Resistance | 1.2 kΩ (Pull-up) |

Signal state Remote

| | |
|--------------------------------|---|
| Connection labeling | 3.4 |
| Channel | DI (digital input) |
| State (configurable) | Remote |
| State condition (configurable) | Remote |
| State - signal assignment | active - low |
| Reference potential | 2.2 (negative pole, identical to 3.1, 3.2, 3.3) |

Electrical properties

| | |
|---------------------------------|--------------------------|
| Number of phases | 1 |
| Insulation voltage input/output | 5.3 kV DC (type test) |
| | 3.1 kV DC (routine test) |
| | 6 kV DC |
| Insulation voltage input / PE | 4 kV DC |

Product properties

| | |
|----------------------------|--|
| Product type | DC UPS with integrated capacitor |
| Product family | TRIO DC UPS with integrated power supply and capacitor |
| MTBF (IEC 61709, SN 29500) | 1090000 h |
| | 1019000 h |

TRIO3-CAP/1AC/24DC/10/6KJ/USB-485 - DC UPS with integrated power supply and capacity



1467808

<https://www.phoenixcontact.com/gb/products/1467808>

| | |
|---------------------------------------|----------------------|
| | 860000 h |
| Insulation characteristics | |
| Protection class | I |
| Overvoltage category (EN 61010-1) | III (≤ 2000 m) |
| | II (≤ 5000 m) |
| Overvoltage category (EN 61010-2-201) | III (≤ 2000 m) |
| Degree of pollution | 2 |

Dimensions

Item dimensions

| | |
|--|--------|
| Width | 154 mm |
| Height | 135 mm |
| Depth | 125 mm |
| Depth (Device depth (DIN rail mounting)) | 125 mm |

Mounting

| | |
|-------------------|-------------------------------------|
| Mounting type | DIN rail mounting |
| Mounting position | horizontal DIN rail NS 35, EN 60715 |

Material specifications

| | |
|--|----|
| Flammability rating according to UL 94 (housing / terminal blocks) | V0 |
|--|----|

Environmental and real-life conditions

Ambient conditions

| | |
|--|---|
| Degree of protection | IP20 |
| | IP20 |
| Ambient temperature (operation) | -25 °C ... 60 °C |
| Ambient temperature (storage/transport) | -40 °C ... 70 °C |
| Ambient temperature (start-up type tested) | -40 °C |
| Maximum altitude | ≤ 5000 m (> 2000 m, Derating: 10 %/1000 m) |
| Climatic class | 3K3 |
| Max. permissible relative humidity (operation) | ≤ 95 % (at 25 °C, non-condensing) |
| Shock | 18 ms, 30g, in each space direction (according to IEC 60068-2-27) |
| Vibration (operation) | 10 Hz ... 50 Hz, amplitude ± 0.2 mm |
| | 50 Hz ... 150 Hz, 2.3g, 90 min. |

Standards and regulations

Safety of power supply units up to 1100 V (insulation distances)

| | |
|--------------------------|--|
| Standard designation | Safety of power supply units up to 1100 V (insulation distances) |
| Standards/specifications | DIN EN 61558-2-16 |

TRIO3-CAP/1AC/24DC/10/6KJ/USB-485 - DC UPS with integrated power supply and capacity



1467808

<https://www.phoenixcontact.com/gb/products/1467808>

Electrical safety

| | |
|--------------------------|------------------------|
| Standard designation | Electrical safety |
| Standards/specifications | IEC 61010-2-201 (SELV) |

Electronic equipment for use in power installations

| | |
|--------------------------|--|
| Standard designation | Equipping high voltage installations with electronic equipment |
| Standards/specifications | EN 50178/VDE 0160 (PELV) |

Safety for measurement, control, and laboratory equipment

| | |
|--------------------------|---|
| Standard designation | Safety for equipment for measurement, control, and laboratory use |
| Standards/specifications | IEC 61010-1 |

Protective extra-low voltage

| | |
|--------------------------|------------------------------|
| Standard designation | Protective extra-low voltage |
| Standards/specifications | IEC 61010-1 (SELV) |
| | IEC 61010-2-201 (PELV) |

Safe isolation

| | |
|--------------------------|-----------------|
| Standard designation | Safe isolation |
| Standards/specifications | IEC 61558-2-16 |
| | IEC 61010-2-201 |

Limitation of harmonic line currents

| | |
|--------------------------|--------------------------------------|
| Standard designation | Limitation of harmonic line currents |
| Standards/specifications | EN 61000-3-2 |

Security for industrial automation and control systems

| | |
|--------------------------|--|
| Standard designation | Security for industrial automation and control systems |
| Standards/specifications | IEC 62443-4-1 |

Approvals

UL

| | |
|----------------|---------------------------|
| Identification | UL/C-UL Listed UL 61010-1 |
|----------------|---------------------------|

UL

| | |
|----------------|-------------------------------|
| Identification | UL/C-UL Listed UL 61010-2-201 |
|----------------|-------------------------------|

ANSI/UL 121201

| | |
|----------------|---|
| Identification | PROCESS CONTROL EQUIPEMENT FOR HAZARDOUS LOCATIONS |
| | (EN) • This equipment is suitable for use in Class I, Division 2, Groups A, B, C and D, Hazardous Locations, or non-hazardous locations only. (FR) • Cet appareil convient uniquement pour une utilisation en atmosphères explosibles de classe I, division 2, groupes A, B, C et D ou en atmosphères non explosibles. |

TRIO3-CAP/1AC/24DC/10/6KJ/USB-485 - DC UPS

with integrated power supply and capacity



1467808

<https://www.phoenixcontact.com/gb/products/1467808>

| | |
|--|--|
| | <p>(EN) • WARNING: Explosion Hazard - Do not connect or disconnect equipment unless power has been switched off or the area is known to be non-hazardous.</p> <p>(FR) • AVERTISSEMENT : risque d'explosion - ne pas connecter ou déconnecter les équipements sauf si l'alimentation a été coupée ou si la zone est réputée non dangereuse.</p> |
| | <p>(EN) • If the equipment is used in a manner not specified by the manufacturer, the protection provided by the equipment may be impaired.</p> <p>(FR) • Si l'équipement est utilisé d'une manière non spécifiée par le fabricant, la protection fournie par cet équipement peut être altérée.</p> |
| | <p>(EN) • This equipment must be installed in a suitable, tool secured/key locked enclosure.</p> <p>(FR) • Cet équipement doit être installé dans un boîtier approprié, verrouillé par une clé ou dont l'ouverture nécessite l'utilisation d'un outil.</p> |

Shipbuilding

| | |
|----------------|-----|
| Identification | DNV |
|----------------|-----|

EMC data

| | |
|-------------------------------|--|
| Electromagnetic compatibility | Conformance with EMC Directive 2014/30/EU |
| Low Voltage Directive | Conformance with Low Voltage Directive 2014/35/EC |
| Interference emission | Interference emission in accordance with EN 61000-6-3 (residential and commercial) and EN 61000-6-4 (industrial) |
| Noise immunity | Immunity in accordance with EN 61000-6-1 (residential), EN 61000-6-2 (industrial) |

Conducted noise emission

| | |
|-----------------------|--------------|
| Standards/regulations | EN 61000-6-3 |
|-----------------------|--------------|

Noise emission

| | |
|-----------------------|--------------|
| Standards/regulations | EN 61000-6-3 |
|-----------------------|--------------|

DNV GL conducted noise emissions

| | |
|-----------------|-------------------------|
| DNV | Class A |
| Additional text | Area power distribution |

DNV GL noise radiation

| | |
|-----------------|----------------------|
| DNV | Class B |
| Additional text | Bridge and deck area |

Harmonic currents

| | |
|-----------------------|--------------|
| Standards/regulations | EN 61000-3-2 |
|-----------------------|--------------|

Flicker

| | |
|-----------------------|--------------|
| Standards/regulations | EN 61000-3-3 |
|-----------------------|--------------|

Electrostatic discharge

| | |
|-----------------------|--------------|
| Standards/regulations | EN 61000-4-2 |
|-----------------------|--------------|

TRIO3-CAP/1AC/24DC/10/6KJ/USB-485 - DC UPS with integrated power supply and capacity



1467808

<https://www.phoenixcontact.com/gb/products/1467808>

Electrostatic discharge

| | |
|-------------------|---------------------|
| Contact discharge | 6 kV (Test Level 3) |
| Discharge in air | 8 kV (Test Level 3) |
| Comments | Criterion B |

Electromagnetic HF field

| | |
|-----------------------|--------------|
| Standards/regulations | EN 61000-4-3 |
|-----------------------|--------------|

Electromagnetic HF field

| | |
|---------------------|-----------------------|
| Frequency range | 80 MHz ... 6 GHz |
| Test field strength | 10 V/m (Test Level 3) |

Fast transients (burst)

| | |
|-----------------------|--------------|
| Standards/regulations | EN 61000-4-4 |
|-----------------------|--------------|

Fast transients (burst)

| | |
|----------|----------------------------------|
| Input | asymmetrical 4 kV (Test Level 3) |
| Comments | Criterion A |

Surge voltage load (surge)

| | |
|-----------------------|--------------|
| Standards/regulations | EN 61000-4-5 |
|-----------------------|--------------|

Surge voltage load (surge)

| | |
|----------|----------------------------------|
| Input | symmetrical 1 kV (Test Level 3) |
| | asymmetrical 2 kV (Test Level 3) |
| Output | symmetrical 1 kV (Test Level 2) |
| | asymmetrical 1 kV (Test Level 3) |
| Signal | asymmetrical 1 kV (Test Level 2) |
| Comments | Criterion B |

Conducted interference

| | |
|-----------------------|--------------|
| Standards/regulations | EN 61000-4-6 |
|-----------------------|--------------|

Conducted interference

| | |
|---------------------|---------------------|
| Input/output/signal | asymmetrical |
| Frequency range | 0.15 MHz ... 80 MHz |
| Comments | Criterion A |
| Voltage | 10 V |

Voltage dips

| | |
|-----------------------|---------------|
| Standards/regulations | EN 61000-4-11 |
| Voltage | 230 V AC |
| Frequency | 50 Hz |
| Voltage dip | 70 % |
| Number of periods | 25 periods |
| Additional text | Class 3 |

TRIO3-CAP/1AC/24DC/10/6KJ/USB-485 - DC UPS with integrated power supply and capacity



1467808

<https://www.phoenixcontact.com/gb/products/1467808>

| | |
|-------------------|-------------|
| Comments | Criterion A |
| Voltage dip | 40 % |
| Number of periods | 10 periods |
| Additional text | Class 3 |
| Comments | Criterion A |
| Voltage dip | 0 % |
| Number of periods | 1 period |
| Additional text | Class 3 |
| Comments | Criterion A |

Criteria

| | |
|-------------|--|
| Criterion A | Normal operating behavior within the specified limits. |
| Criterion B | Temporary impairment to operational behavior that is corrected by the device itself. |
| Criterion C | Temporary adverse effects on the operating behavior, which the device corrects automatically or which can be restored by actuating the operating elements. |

TRIO3-CAP/1AC/24DC/10/6KJ/USB-485 - DC UPS with integrated power supply and capacity

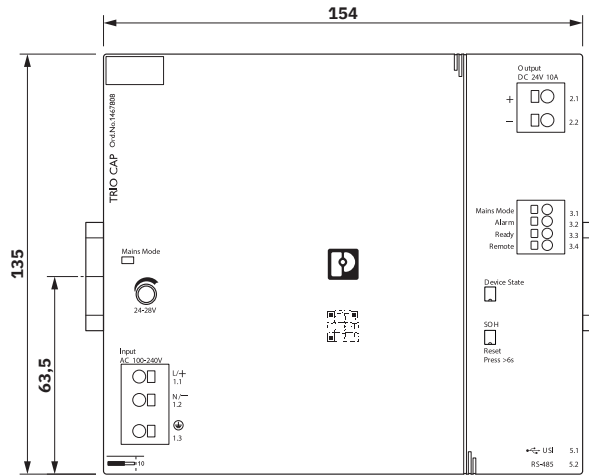


1467808

<https://www.phoenixcontact.com/gb/products/1467808>

Drawings

Dimensional drawing



Dimensions, front view (in mm)

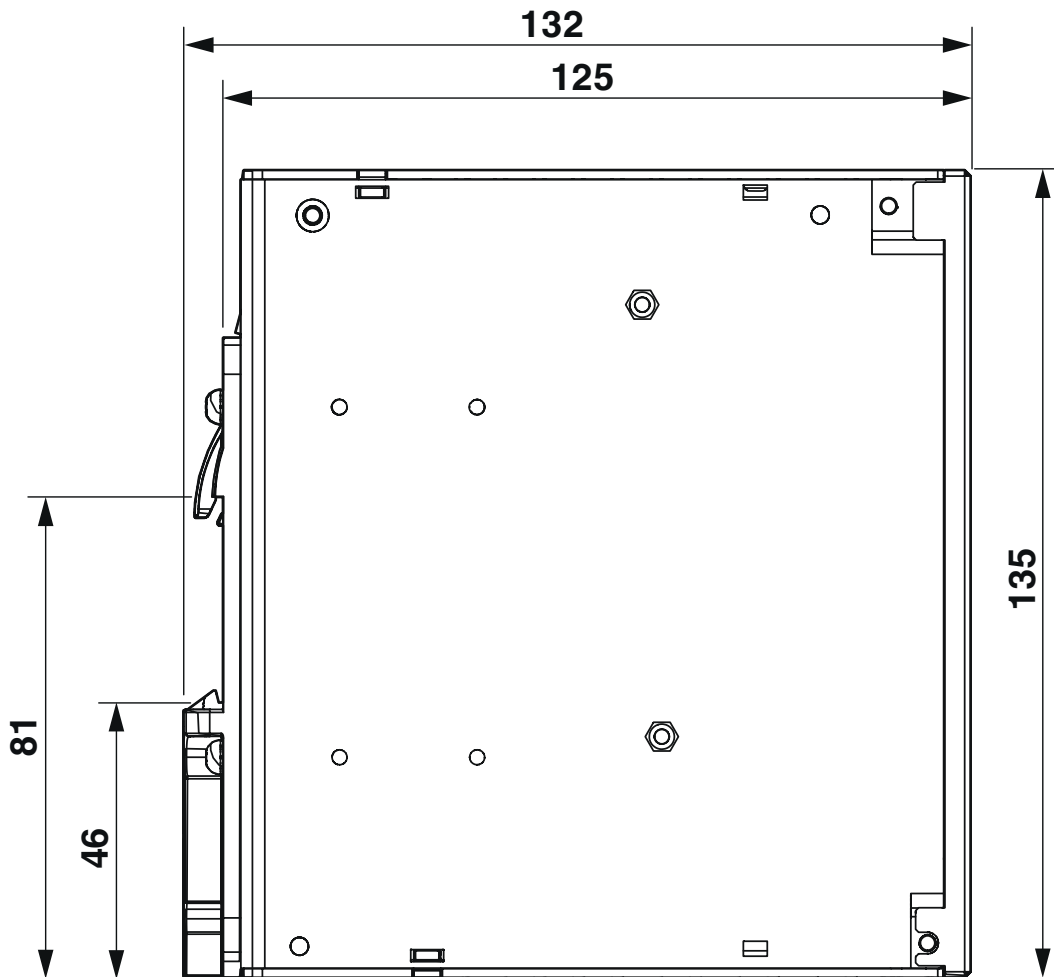
TRIO3-CAP/1AC/24DC/10/6KJ/USB-485 - DC UPS with integrated power supply and capacity



1467808

<https://www.phoenixcontact.com/gb/products/1467808>

Dimensional drawing



Dimensions, side view (in mm)

TRIO3-CAP/1AC/24DC/10/6KJ/USB-485 - DC UPS with integrated power supply and capacity

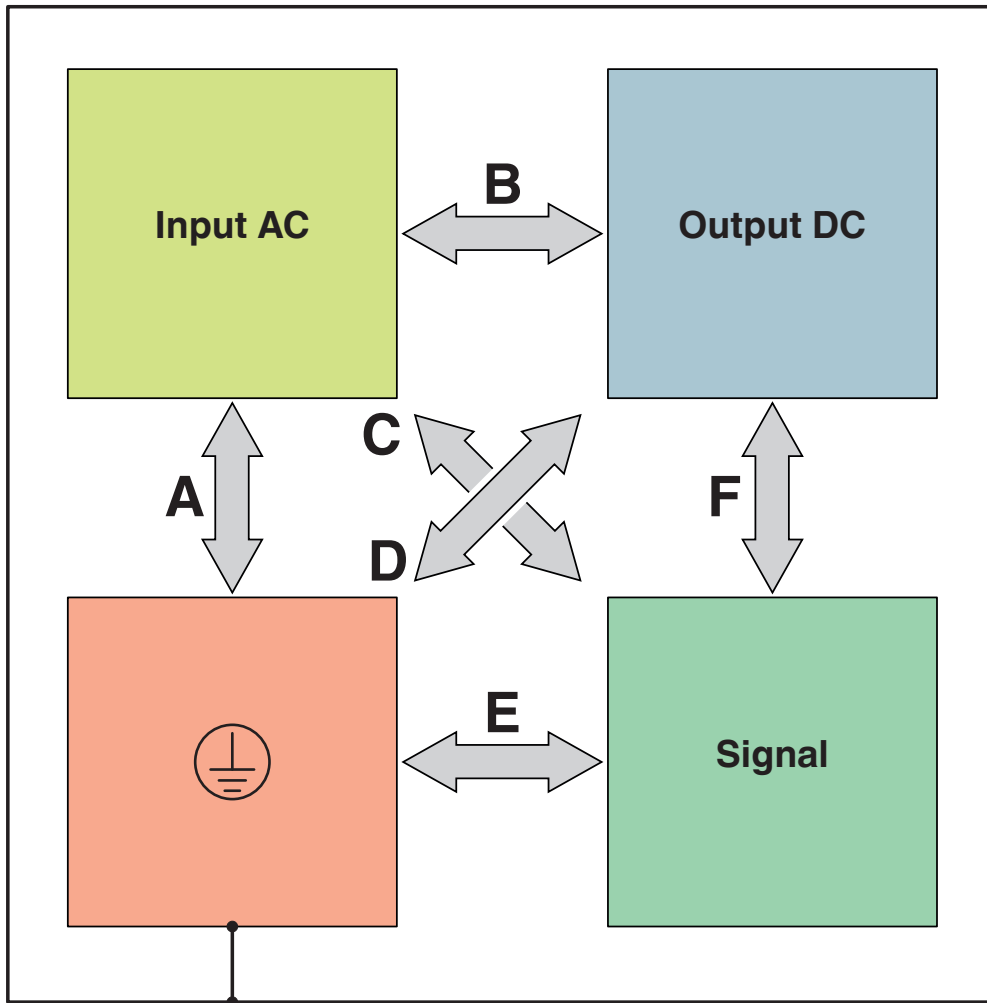


1467808

<https://www.phoenixcontact.com/gb/products/1467808>

Schematic diagram

Housing



Test sections, insulation voltage

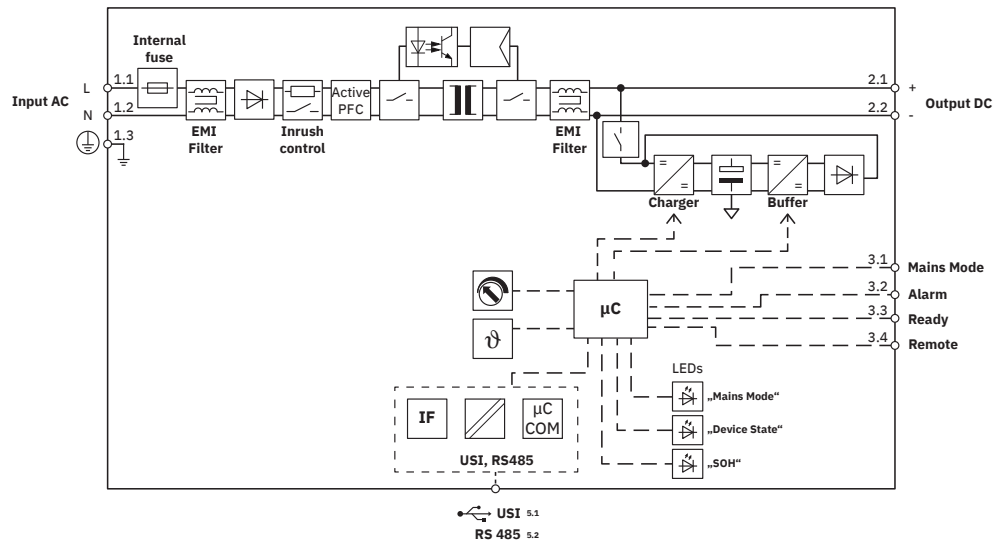
TRIO3-CAP/1AC/24DC/10/6KJ/USB-485 - DC UPS with integrated power supply and capacity



1467808

<https://www.phoenixcontact.com/gb/products/1467808>

Block diagram



Block diagram

Graphic

| Load Current | Buffertime | | | | | | | | | | | | | | | | |
|--------------|------------|----|----|----|----|----|----|---------|---|---|---|---|----|----|----|----|----|
| | Seconds | | | | | | | Minutes | | | | | | | | | |
| | 5 | 10 | 15 | 20 | 30 | 40 | 50 | 1 | 2 | 3 | 5 | 7 | 10 | 15 | 20 | 30 | 45 |
| 0,10 A | ■ | ■ | ■ | ■ | ■ | ■ | ■ | ■ | ■ | ■ | ■ | ■ | ■ | ■ | ■ | ■ | ■ |
| 0,25 A | ■ | ■ | ■ | ■ | ■ | ■ | ■ | ■ | ■ | ■ | ■ | ■ | ■ | ■ | ■ | ■ | ■ |
| 0,50 A | ■ | ■ | ■ | ■ | ■ | ■ | ■ | ■ | ■ | ■ | ■ | ■ | ■ | ■ | ■ | ■ | ■ |
| 1,00 A | ■ | ■ | ■ | ■ | ■ | ■ | ■ | ■ | ■ | ■ | ■ | ■ | ■ | ■ | ■ | ■ | ■ |
| 2,50 A | ■ | ■ | ■ | ■ | ■ | ■ | ■ | ■ | ■ | ■ | ■ | ■ | ■ | ■ | ■ | ■ | ■ |
| 5,00 A | ■ | ■ | ■ | ■ | ■ | ■ | ■ | ■ | ■ | ■ | ■ | ■ | ■ | ■ | ■ | ■ | ■ |
| 7,50 A | ■ | ■ | ■ | ■ | ■ | ■ | ■ | ■ | ■ | ■ | ■ | ■ | ■ | ■ | ■ | ■ | ■ |
| 10,0 A | ■ | ■ | ■ | ■ | ■ | ■ | ■ | ■ | ■ | ■ | ■ | ■ | ■ | ■ | ■ | ■ | ■ |
| 12,0 A | ■ | ■ | ■ | ■ | ■ | ■ | ■ | ■ | ■ | ■ | ■ | ■ | ■ | ■ | ■ | ■ | ■ |
| 15,0 A | ■ | ■ | ■ | ■ | ■ | ■ | ■ | ■ | ■ | ■ | ■ | ■ | ■ | ■ | ■ | ■ | ■ |
| 20,0 A | ■ | ■ | ■ | ■ | ■ | ■ | ■ | ■ | ■ | ■ | ■ | ■ | ■ | ■ | ■ | ■ | ■ |
| 26,0 A | ■ | ■ | ■ | ■ | ■ | ■ | ■ | ■ | ■ | ■ | ■ | ■ | ■ | ■ | ■ | ■ | ■ |
| 30,0 A | ■ | ■ | ■ | ■ | ■ | ■ | ■ | ■ | ■ | ■ | ■ | ■ | ■ | ■ | ■ | ■ | ■ |

The data is based on an ambient temperature of +25 °C at the start of use.

1467800 TRIO3-CAP/1AC/24DC/5/3KJ/USB-485
 1467815 TRIO3-CAP/1AC/24DC/20/12KJ/USB-485
 1467808 TRIO3-CAP/1AC/24DC/10/6KJ/USB-485

Buffer times TRIO CAP

TRIO3-CAP/1AC/24DC/10/6KJ/USB-485 - DC UPS with integrated power supply and capacity



1467808

<https://www.phoenixcontact.com/gb/products/1467808>

Approvals

To download certificates, visit the product detail page: <https://www.phoenixcontact.com/gb/products/1467808>

DNV

Approval ID: TAA00000BM



IECEE CB Scheme

Approval ID: SI-12207



cULus Listed

Approval ID: 20241105

CoC / Compliance Statement

Approval ID: C211-0004/26



cULus Listed

Approval ID: E199827-20241206

TRIO3-CAP/1AC/24DC/10/6KJ/USB-485 - DC UPS with integrated power supply and capacity



1467808

<https://www.phoenixcontact.com/gb/products/1467808>

Classifications

ECLASS

| | |
|-------------|----------|
| ECLASS-13.0 | 27040705 |
| ECLASS-15.0 | 27040705 |

ETIM

| | |
|-----------|----------|
| ETIM 10.0 | EC000382 |
|-----------|----------|

TRIO3-CAP/1AC/24DC/10/6KJ/USB-485 - DC UPS with integrated power supply and capacity



1467808

<https://www.phoenixcontact.com/gb/products/1467808>

Environmental product compliance

EU RoHS

| | |
|---|--------------------|
| Fulfills EU RoHS substance requirements | Yes |
| Exemption | 6(c), 7(a), 7(c)-I |

China RoHS

| | |
|--|---|
| Environment friendly use period (EFUP) | EFUP-25 |
| | An article-related China RoHS declaration table can be found in the download area for the respective article under "Manufacturer declaration". For all articles with EFUP-E, no China RoHS declaration table issued and required. |

EU REACH SVHC

| | |
|-------------------------------------|----------------------|
| REACH candidate substance (CAS No.) | Lead(CAS: 7439-92-1) |
|-------------------------------------|----------------------|

Phoenix Contact 2026 © - all rights reserved
<https://www.phoenixcontact.com>

PHOENIX CONTACT Ltd
Halesfield 13, Telford
Shropshire, TF7 4PG
01952 681700
info@phoenixcontact.co.uk