

UPS-BAT/LI/24DC/189WH - Battery module



1460922

<https://www.phoenixcontact.com/gb/products/1460922>

Please be informed that the data shown in this PDF document is generated from our online catalog. Please find the complete data in the user documentation. Our general terms of use for downloads are valid.



Battery module (device with battery), Lithium-Ion (LiFePO₄), 24 V DC, 189 Wh. 2 x 1532141 are required as replacements batteries.

Product description

For continuous monitoring and intelligent management, there is constant communication with the QUINT UPS. Thanks to automatic detection of the battery module and tool-free switching during operation, quick installation is possible. The battery modules for QUINT UPS with IQ Technology are optimally charged before being sent to our warehouse.

Your advantages

- Quick installation with automatic detection of the battery module and tool-free replacement during operation
- Intelligent battery management for continuous monitoring and high availability with the QUINT4 UPS
- Long service life due to optimum charging characteristics and cycle stability
- Compact solution up to 11 Ah on the DIN rail due to high energy density

Commercial data

Item number	1460922
Packing unit	1 pc
Minimum order quantity	1 pc
Note	Made to order (non-returnable)
Sales key	CMUEL3
Product key	CMUEL3
GTIN	4063151851743
Weight per piece (including packing)	3,648 g
Weight per piece (excluding packing)	3,228 g
Customs tariff number	85076000
Country of origin	CN

Technical data

Energy storage

Input

Input voltage	24 V DC
Nominal capacity	189 Wh (2x 94.72 Wh)
	7.4 Ah
Charging current	10 A
End-of-charge voltage	28.4 V DC (20 °C)

Output

Output current	max. 45 A (Derating: -20 °C ... 0 °C, 30 A ... 40 A; 50 °C ... 60 °C, 35 A)
Output fuse	1x 50 A MAXI Blade Fuse (\geq 24 V DC)
Buffer time	20 min (20 A)

General

Connection in parallel	yes
	max. 5
Battery type	Grepow, 2x 25.6 V GRP8056117-8S1P-A
Battery technology	Lithium-Ion (LiFePO ₄)
IQ-Technology	yes
Latest startup date (battery only)	6 Months (-20 °C ... 35 °C)
	1 Months (-30 °C ... 65 °C)
Service life	10 Years (20 °C)
Size designation	Block
Temperature sensor	yes
Number of replacement battery kits	2x (UPS-BAT-KIT/LI/24DC/94WH (1532141))

Connection data

Battery

Position	4.x
----------	-----

Connection technology

Position marking	4.1 (+), 4.2 (-)
------------------	------------------

Conductor connection

Connection method	Screw connection
rigid	2.5 mm ² ... 16 mm ² (recommended, 25 A fuse)
	4 mm ² ... 16 mm ² (recommended, 50 A fuse)
flexible	2.5 mm ² ... 16 mm ² (recommended, 25 A fuse)
	4 mm ² ... 16 mm ² (recommended, 50 A fuse)
flexible with ferrule without plastic sleeve	2.5 mm ² ... 16 mm ² (recommended, 25 A fuse)
	4 mm ² ... 16 mm ² (recommended, 50 A fuse)

UPS-BAT/LI/24DC/189WH - Battery module



1460922

<https://www.phoenixcontact.com/gb/products/1460922>

flexible with ferrule with plastic sleeve	2.5 mm ² ... 16 mm ² (recommended, 25 A fuse)
	4 mm ² ... 16 mm ² (recommended, 50 A fuse)
AWG	14 ... 6 (recommended, 25 A fuse)
	10 ... 6 (recommended, 50 A fuse)
Stripping length	10 mm (recommended, 25 A fuse)
	10 mm (recommended, 50 A fuse)
Tightening torque	1.2 Nm ... 1.5 Nm
	15 lb _f -in.
Drive form screw head	Slotted L

LIN

Position	4.x
----------	-----

Connection technology

Position marking	4.3 (┘┘ 
------------------	---

Conductor connection

Connection method	Screw connection
rigid	0.75 mm ² ... 16 mm ² (LIN)
flexible	0.75 mm ² ... 16 mm ² (LIN)
flexible with ferrule without plastic sleeve	0.75 mm ² ... 16 mm ² (LIN)
flexible with ferrule with plastic sleeve	0.75 mm ² ... 16 mm ² (LIN)
AWG	20 ... 6
Stripping length	10 mm (LIN)
Tightening torque	1.2 Nm ... 1.5 Nm
Drive form screw head	Slotted L

Product properties

Product type	Battery module
Product family	Battery module (device with battery)
Application	for QUINT4-UPS
Disposal	Used batteries must not be thrown away with household waste, they should instead be disposed of in accordance with applicable national regulations.

Insulation characteristics

Protection class	III
Degree of pollution	2

Dimensions

Item dimensions

Width	133 mm
Height	197 mm
Depth	119 mm

Drill hole

Diameter	5 mm
----------	------

UPS-BAT/LI/24DC/189WH - Battery module



1460922

<https://www.phoenixcontact.com/gb/products/1460922>

Installation dimensions

Installation distance right/left	0 mm / 0 mm
Installation distance top/bottom	5 mm / 5 mm

Environmental and real-life conditions

Ambient conditions

Degree of protection	IP20
	IP20
Ambient temperature (storage/transport)	-30 °C ... 65 °C
	-20 °C ... 35 °C (recommended)
Ambient temperature (charge)	-10 °C ... 55 °C (0 °C ... 55 °C, UPS V/C Level)
Ambient temperature (discharge)	-20 °C ... 60 °C
Maximum altitude	max. 2000 m
Max. permissible relative humidity (operation)	≤ 95 %
Shock	15g, 11 ms, half sine (IEC 60068-2-27)
Vibration (operation)	0,7g (DNV-GL / IEC 60068-2-6)

Ex data

Suited for EX-applications	no
----------------------------	----

UPS-BAT/LI/24DC/189WH - Battery module

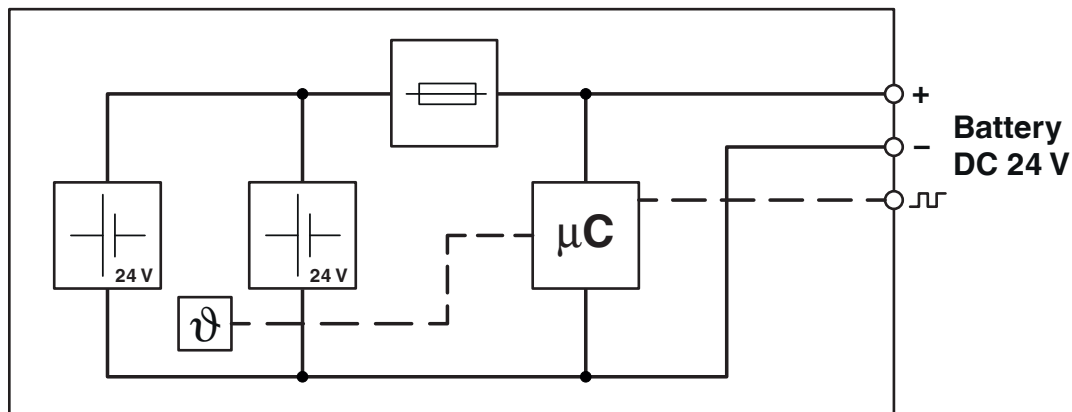


1460922

<https://www.phoenixcontact.com/gb/products/1460922>

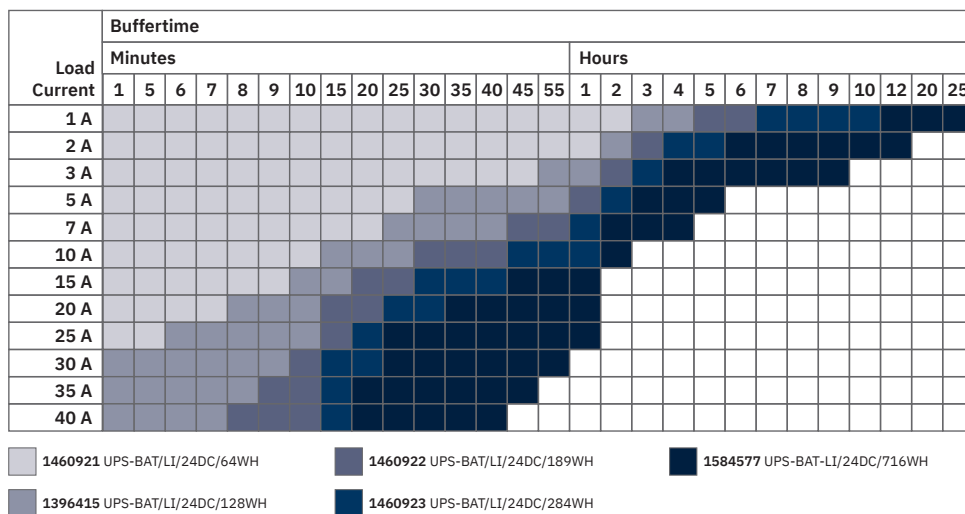
Drawings

Block diagram



Block diagram

Graphic



Lithium battery buffer times for QUINT DC UPS

UPS-BAT/LI/24DC/189WH - Battery module



1460922

<https://www.phoenixcontact.com/gb/products/1460922>

Graphic

Load Current	Buffertime																				
	Minutes														Hours						
	1	2	3	4	5	8	10	15	20	25	30	40	50	1	1.5	2	3	4	5	6	9
100 W	2x	2x	2x	2x	2x	2x	2x	2x	2x	2x	2x	2x	2x	2x	2x	2x	2x	2x	2x	2x	2x
200 W	2x	2x	2x	2x	2x	2x	2x	2x	2x	2x	2x	2x	2x	2x	2x	2x	2x	2x	2x		
300 W	2x	2x	2x	2x	2x	2x	2x	2x	2x	2x	2x	2x	2x	2x	2x	2x	2x				
400 W	2x	2x	2x	2x	2x	2x	2x	2x	2x	2x	2x	2x	2x	2x	2x	2x					
500 W	2x	2x	2x	2x	2x	2x	2x	2x	2x	2x	2x	2x	2x	2x	2x	2x					
600 W	2x	2x	2x	2x	2x	2x	2x	2x	2x	2x	2x	2x	2x	2x	2x						
700 W	2x	2x	2x	2x	2x	2x	2x	2x	2x	2x	2x	2x	2x	2x	2x						
800 W	2x	2x	2x	2x	2x	2x	2x	2x	2x	2x	2x	2x	2x	2x							
900 W	2x	2x	2x	2x	2x	2x	2x	2x	2x	2x	2x	2x	2x								

- 1460921 UPS-BAT/LI/24DC/64WH
- 1460922 UPS-BAT/LI/24DC/189WH
- 1584577 UPS-BAT/LI/24DC/716WH
- 1396415 UPS-BAT/LI/24DC/128WH
- 1460923 UPS-BAT/LI/24DC/284WH

Lithium battery buffer times for QUINT AC UPS 1 kVA

Graphic

Load Current	Buffertime																						
	Minutes											Hours											
	1	5	7	9	10	15	20	25	30	40	45	50	1	1.5	2	3	3.5	4	5	8	9	10	14
15 W																							
35 W																							
55 W																							
90 W																							
125 W																							
180 W																							
275 W																							
400 W																							

- 1460921 UPS-BAT/LI/24DC/64WH
- 1460922 UPS-BAT/LI/24DC/189WH
- 1584577 UPS-BAT/LI/24DC/716WH
- 1396415 UPS-BAT/LI/24DC/128WH
- 1460923 UPS-BAT/LI/24DC/284WH

Lithium battery buffer times for QUINT AC UPS 500 VA

UPS-BAT/LI/24DC/189WH - Battery module



1460922

<https://www.phoenixcontact.com/gb/products/1460922>

Approvals

To download certificates, visit the product detail page: <https://www.phoenixcontact.com/gb/products/1460922>



IECEE CB Scheme

Approval ID: SI-10466 A1



cULus Listed

Approval ID: E123528-20230517

DNV

Approval ID: TAA0000265

	Nominal voltage U_N	Nominal current I_N	Cross section AWG	Cross section mm^2
keine				
	500 V	41 A	-	- 6



cULus Listed

Approval ID: E199827-20230523

UPS-BAT/LI/24DC/189WH - Battery module



1460922

<https://www.phoenixcontact.com/gb/products/1460922>

Classifications

ECLASS

ECLASS-13.0	27050403
ECLASS-15.0	27050403

ETIM

ETIM 10.0	EC003893
-----------	----------

UNSPSC

UNSPSC 21.0	26111700
-------------	----------

UPS-BAT/LI/24DC/189WH - Battery module



1460922

<https://www.phoenixcontact.com/gb/products/1460922>

Environmental product compliance

EU RoHS

Fulfills EU RoHS substance requirements	Yes
Exemption	7(c)-I

China RoHS

Environment friendly use period (EFUP)	EFUP-25
	An article-related China RoHS declaration table can be found in the download area for the respective article under "Manufacturer declaration". For all articles with EFUP-E, no China RoHS declaration table issued and required.

EU REACH SVHC

REACH candidate substance (CAS No.)	Lead(CAS: 7439-92-1)
-------------------------------------	----------------------

Phoenix Contact 2026 © - all rights reserved
<https://www.phoenixcontact.com>

PHOENIX CONTACT Ltd
Halesfield 13, Telford
Shropshire, TF7 4PG
01952 681700
info@phoenixcontact.co.uk