

HC-STA-D07-HHFS-1TTM20-EL-AL - Housing



1419229

<https://www.phoenixcontact.com/gb/products/1419229>

Please be informed that the data shown in this PDF document is generated from our online catalog. Please find the complete data in the user documentation. Our general terms of use for downloads are valid.



Sleeve housing D7, for single locking latch, material: Die-cast aluminum, salt water resistant, cable outlets: 1, straight, 1x M20, height: 60.5 mm, cable gland: none, Standard

Commercial data

Item number	1419229
Packing unit	1 pc
Minimum order quantity	1 pc
Sales key	AF7APF
Product key	AF7APF
GTIN	4055626159638
Weight per piece (including packing)	32.2 g
Weight per piece (excluding packing)	31.7 g
Customs tariff number	85389099
Country of origin	CN

1419229

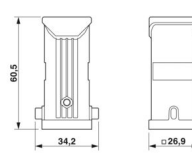
<https://www.phoenixcontact.com/gb/products/1419229>

Technical data

Product properties

Product type	Housing with locking latch
Housing type	Sleeve housing
Product family	HC-STA-D07
Application	Standard
Type	D7
No. of cable outlets	1
Type of the screw connection	1x M20
Shielded	no
Cable outlet	straight
Pg screw connection	none

Dimensions

Dimensional drawing	
Width	34.2 mm
Height	60.5 mm
Length	26.9 mm

Material specifications

Housing material	Die-cast aluminum, salt water resistant
Housing surface material	uncoated

Mechanical properties

Mechanical data

Type of the screw connection	1x M20
Locking type	Pin

Environmental and real-life conditions

Ambient conditions

Degree of protection	IP66 IP67
Enclosure rating (NEMA)	4 (UL 50e) 4X (UL 50e)
Impact strength	IK06
Ambient temperature (operation)	-40 °C ... 125 °C

HC-STA-D07-HHFS-1TTM20-EL-AL - Housing

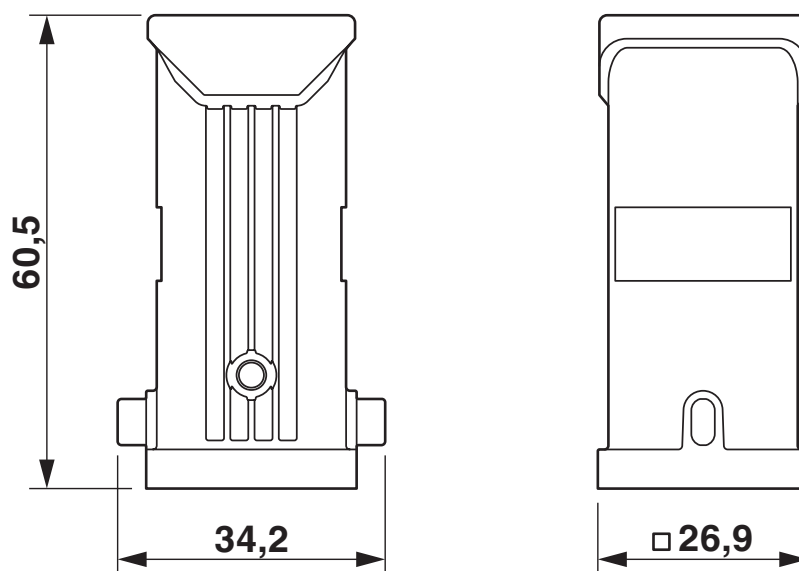


1419229

<https://www.phoenixcontact.com/gb/products/1419229>

Drawings

Dimensional drawing




Dimensional drawing

1419229

<https://www.phoenixcontact.com/gb/products/1419229>

Approvals

 To download certificates, visit the product detail page: <https://www.phoenixcontact.com/gb/products/1419229>

DNV

Approval ID: TAE000037S



cUL Recognized

Approval ID: E255026



UL Recognized

Approval ID: E255026

1419229

<https://www.phoenixcontact.com/gb/products/1419229>

Classifications

ECLASS

ECLASS-13.0	27440202
ECLASS-15.0	27440202

ETIM

ETIM 10.0	EC000437
-----------	----------

UNSPSC

UNSPSC 21.0	31261500
-------------	----------

1419229

<https://www.phoenixcontact.com/gb/products/1419229>

Environmental product compliance

EU RoHS

Fulfills EU RoHS substance requirements	Yes, No exemptions
---	--------------------

China RoHS

Environment friendly use period (EFUP)	EFUP-E
	No hazardous substances above the limits

EU REACH SVHC

REACH candidate substance (CAS No.)	No substance above 0.1 wt%
-------------------------------------	----------------------------

Phoenix Contact 2026 © - all rights reserved
<https://www.phoenixcontact.com>

PHOENIX CONTACT Ltd
Halesfield 13, Telford
Shropshire, TF7 4PG
01952 681700
info@phoenixcontact.co.uk