

# HC-EVO-B06PT-BWSC-HL-M20ELC-AL - Connector set



1411487

<https://www.phoenixcontact.com/gb/products/1411487>

Please be informed that the data shown in this PDF document is generated from our online catalog. Please find the complete data in the user documentation. Our general terms of use for downloads are valid.



EVO connector set, B6 series, metal housing, consisting of: sleeve housing 1411448, panel mounting base 1411319, EVO screw connection 1411439, pin contact insert 1407728, socket contact insert 1407727

## Commercial data

Item number	1411487
Packing unit	1 pc
Minimum order quantity	1 pc
Note	Made to order (non-returnable)
Sales key	AF7AFX
Product key	AF7AFX
GTIN	4046356932875
Weight per piece (including packing)	450 g
Weight per piece (excluding packing)	448.62 g
Customs tariff number	85366990
Country of origin	CN

# HC-EVO-B06PT-BWSC-HL-M20ELC-AL - Connector set



1411487

<https://www.phoenixcontact.com/gb/products/1411487>

## Set consists of

### HC-B06-I-PT-F - Contact insert

1407727

<https://www.phoenixcontact.com/gb/products/1407727>



Contact insert, number of positions: 6+PE, size: B6, number of connections per position: 1, Socket, Push-in connection, 500 V, 16 A, 0.14 mm<sup>2</sup> ... 2.5 mm<sup>2</sup>, application: Power

---

### HC-B06-I-PT-M - Contact insert

1407728

<https://www.phoenixcontact.com/gb/products/1407728>



Contact insert, number of positions: 6+PE, size: B6, number of connections per position: 1, Pin, Push-in connection, 500 V, 16 A, 0.14 mm<sup>2</sup> ... 2.5 mm<sup>2</sup>, application: Power

# HC-EVO-B06PT-BWSC-HL-M20ELC-AL - Connector set



1411487

<https://www.phoenixcontact.com/gb/products/1411487>

## HC-EVO-B06-HLFS-EL-AL - Housing

1411448

<https://www.phoenixcontact.com/gb/products/1411448>



HEAVYCON EVO sleeve housing, EMC version, without powder coating, with bayonet flange for EVO screw connection, B6, for single locking latch, height: 64 mm, without EVO screw connection.

---

## HC-STA-B06-BWSC-ELC-AL - Housing

1411319

<https://www.phoenixcontact.com/gb/products/1411319>



Panel mounting base B6, with single locking latch, material: Die-cast aluminum, salt water resistant, protective cover material: PC, height: 30.5 mm, cable gland: none, protective cover: yes, Standard, with flat gasket

# HC-EVO-B06PT-BWSC-HL-M20ELC-AL - Connector set



1411487

<https://www.phoenixcontact.com/gb/products/1411487>

## HC-B-G-M20-EC-AL - Cable gland

1411439

<https://www.phoenixcontact.com/gb/products/1411439>



EVO EMC cable gland with bayonet locking, B series, size M20, cable diameter:  
9 ... 13 mm

# HC-EVO-B06PT-BWSC-HL-M20ELC-AL - Connector set

1411487

<https://www.phoenixcontact.com/gb/products/1411487>

## Technical data

### Product properties

Product type	Connector set
Housing type	Complete housing
Series	HC-B
Type	B6
Number of positions	6
Connection profile	6+PE
No. of cable outlets	1
Seal present	yes
Protective cover	yes
Cable outlet	straight

### Insulation characteristics

Overvoltage category	III
Degree of pollution	3

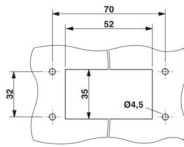
### Electrical properties

Rated voltage (III/3)	500 V
Rated surge voltage	6 kV
Rated current	16 A

### Connection data

Connection method	Push-in connection
Connection technology	Push-in connection
Conductor cross-section	0.14 mm <sup>2</sup> ... 2.5 mm <sup>2</sup> (with ferrule) 0.14 mm <sup>2</sup> ... 2.5 mm <sup>2</sup> (with ferrule)
Connection cross section AWG	26 ... 14
Tightening torque	0.5 Nm ... 1.7 Nm (Fixing screws for panel mounting base)
Stripping length	8 mm ... 10 mm

### Dimensions

Dimensional drawing	
Width	53 mm
Height	94.5 mm
Length	80.5 mm
Drill hole distance, horizontal	70 mm
Drill hole distance, vertical	32 mm

# HC-EVO-B06PT-BWSC-HL-M20ELC-AL - Connector set



1411487

<https://www.phoenixcontact.com/gb/products/1411487>

## Installation dimensions

Width of the assembly cutout	35 mm
Length of the assembly cutout	52 mm

## Material specifications

Material Housing	Die-cast aluminum, corrosion-resistant
Material Protective cover	PA
Flammability rating according to UL 94	V0
Seal material Profile gasket	NBR
Seal material Flat gasket	NBR
Contact material	Copper alloy
Contact surface material	Ag
Contact carrier material	PA
Locking latch material	PA

## Cable/line

External cable diameter	9 mm ... 12 mm
-------------------------	----------------

## Mechanical properties

### Mechanical data

Locking type	Latch
Insertion/withdrawal cycles	≥ 500

## Environmental and real-life conditions

### Ambient conditions

Degree of protection	IP66 (with locked protective cover)
	IP67 (when plugged in)
	IP66
Enclosure rating (NEMA)	4 (UL 50e)
	4X (UL 50e)
	12 (UL 50e)
Impact strength	IK08
Ambient temperature (operation)	-40 °C ... 100 °C

## Mounting

Mounting type	Screw mounting
Assembly note	Coding also using the CP-HC (1686478) coding profiles. HC-B6.. / HC-B10..for two coding profiles. HC-B16.. / HC-B24..for four coding profiles.
	Connectors may only be operated when there is no load/the power is switched off. Can be used for solid wires and stranded wires with ferrule.

# HC-EVO-B06PT-BWSC-HL-M20ELC-AL - Connector set

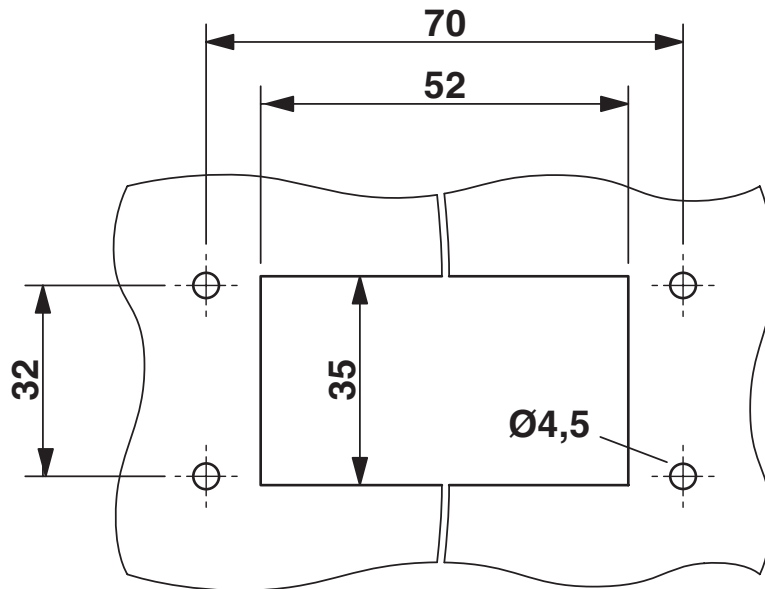


1411487

<https://www.phoenixcontact.com/gb/products/1411487>

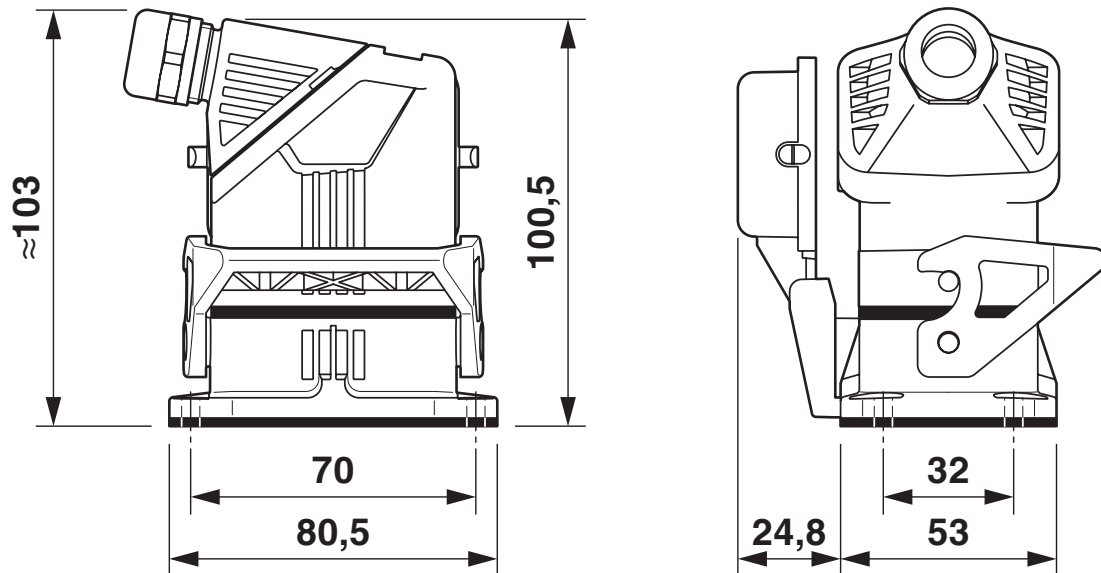
## Drawings

Dimensional drawing



Mounting cutout

Dimensional drawing



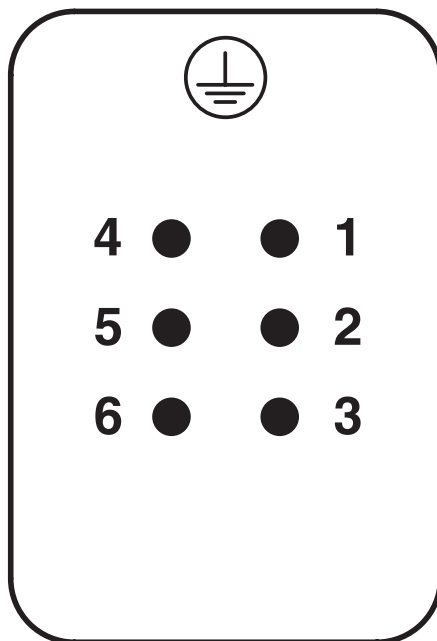
Dimensional drawing

# HC-EVO-B06PT-BWSC-HL-M20ELC-AL - Connector set

1411487

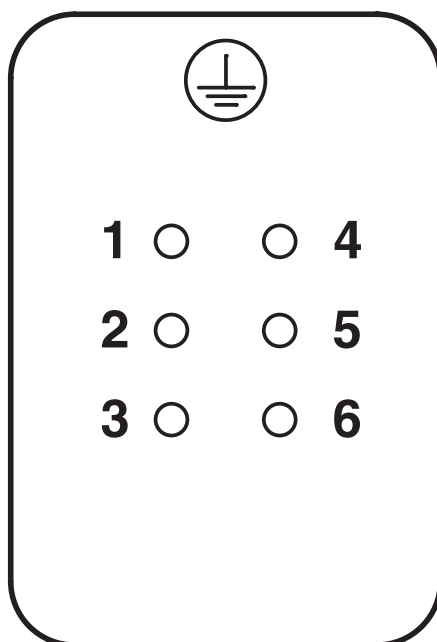
<https://www.phoenixcontact.com/gb/products/1411487>

Schematic diagram



Pin assignment, connection side, pin

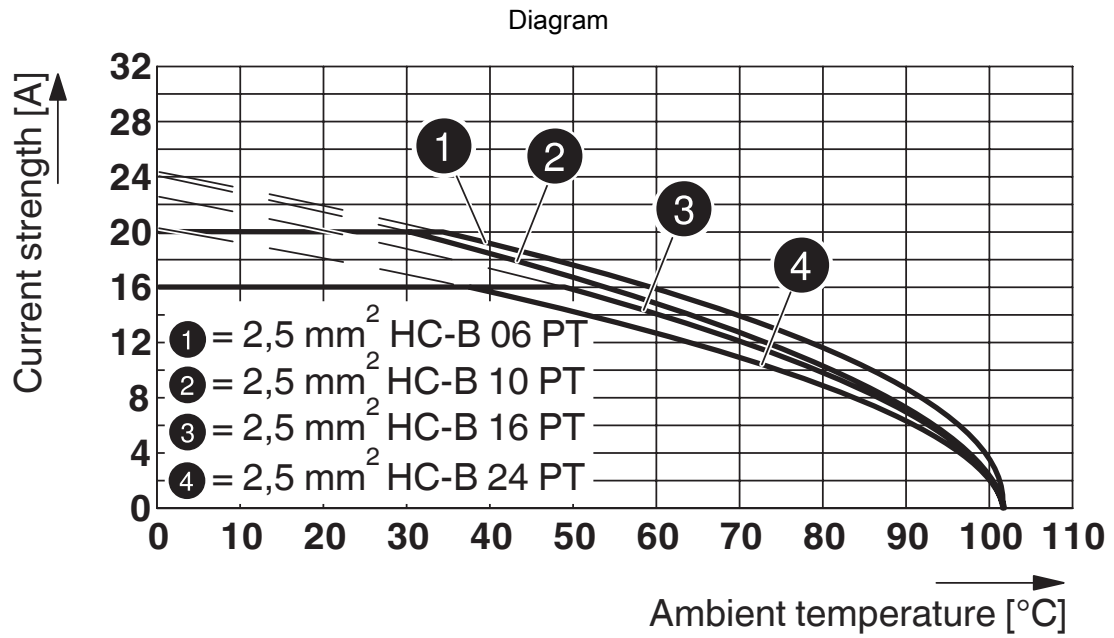
Schematic diagram



Pin assignment, connection side, socket

1411487

<https://www.phoenixcontact.com/gb/products/1411487>



Derating diagram

# HC-EVO-B06PT-BWSC-HL-M20ELC-AL - Connector set



1411487

<https://www.phoenixcontact.com/gb/products/1411487>

## Approvals

🔗 To download certificates, visit the product detail page: <https://www.phoenixcontact.com/gb/products/1411487>

**DNV**

Approval ID: TAE000037S



**EAC**

Approval ID: RU C-DE.AI30.B.01102

# HC-EVO-B06PT-BWSC-HL-M20ELC-AL - Connector set



1411487

<https://www.phoenixcontact.com/gb/products/1411487>

## Classifications

### ECLASS

ECLASS-13.0	27440113
ECLASS-15.0	27440113

### ETIM

ETIM 10.0	EC002636
-----------	----------

### UNSPSC

UNSPSC 21.0	39121400
-------------	----------

# HC-EVO-B06PT-BWSC-HL-M20ELC-AL - Connector set



1411487

<https://www.phoenixcontact.com/gb/products/1411487>

## Environmental product compliance

### EU RoHS

Fulfills EU RoHS substance requirements	Yes, No exemptions
---	--------------------

### China RoHS

Environment friendly use period (EFUP)	EFUP-E
	No hazardous substances above the limits

### EU REACH SVHC

REACH candidate substance (CAS No.)	No substance above 0.1 wt%
-------------------------------------	----------------------------

Phoenix Contact 2026 © - all rights reserved  
<https://www.phoenixcontact.com>

PHOENIX CONTACT Ltd  
Halesfield 13, Telford  
Shropshire, TF7 4PG  
01952 681700  
[info@phoenixcontact.co.uk](mailto:info@phoenixcontact.co.uk)