

# A-INLE-M32-N-S - EMC nut

1411271

<https://www.phoenixcontact.com/gb/products/1411271>

Please be informed that the data shown in this PDF document is generated from our online catalog. Please find the complete data in the user documentation. Our general terms of use for downloads are valid.

EMC nut, for threads M32 x 1.5, color: silver-colored



## Commercial data

Item number	1411271
Packing unit	50 pc
Minimum order quantity	50 pc
Note	Made to order (non-returnable)
Sales key	AF7DZX
Product key	AF7DZX
GTIN	4046356924023
Weight per piece (including packing)	13.673 g
Weight per piece (excluding packing)	12.84 g
Customs tariff number	74198090
Country of origin	IN

# A-INLE-M32-N-S - EMC nut

1411271

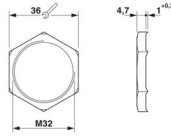
<https://www.phoenixcontact.com/gb/products/1411271>

## Technical data

### Product properties

Product type	Flat nut
Thread type	M32

### Dimensions

Dimensional drawing	
Length	5.7 mm
Diameter	32 mm
Connecting thread diameter	32 mm
Wrench size, counter nut	36 mm
Hexagon angular dimension	40 mm
Thread type connection side	M32 x 1.5
Thread pitch	1.5 mm

### Material specifications

Material	Brass, nickel-plated
----------	----------------------

### Cable/line

Halogen-free	yes
--------------	-----

### Environmental and real-life conditions

#### Ambient conditions

Ambient temperature (operation)	-70 °C ... 220 °C
---------------------------------	-------------------

### Mounting

Assembly note	for EMC cable glands, for removing a non-conductive surface coating
---------------	---

# A-INLE-M32-N-S - EMC nut

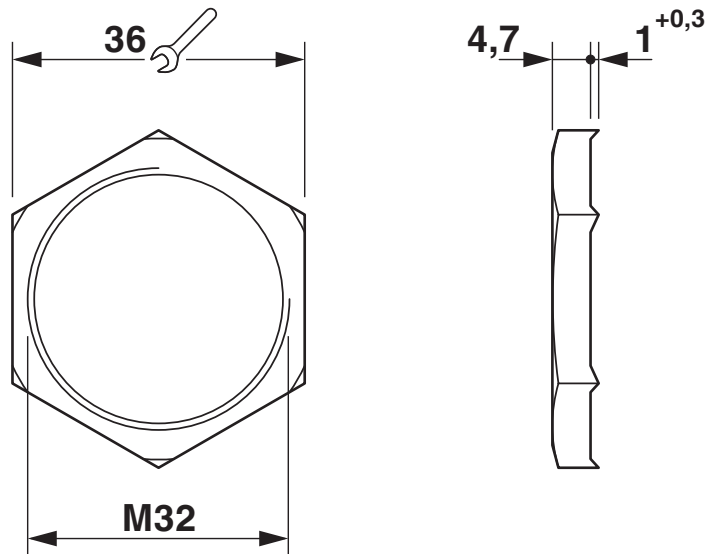
1411271

<https://www.phoenixcontact.com/gb/products/1411271>



## Drawings

Dimensional drawing



# A-INLE-M32-N-S - EMC nut



1411271

<https://www.phoenixcontact.com/gb/products/1411271>

## Classifications

### ECLASS

ECLASS-13.0	27140807
ECLASS-15.0	27140807

### ETIM

ETIM 10.0	EC003608
-----------	----------

### UNSPSC

UNSPSC 21.0	31161700
-------------	----------

# A-INLE-M32-N-S - EMC nut



1411271

<https://www.phoenixcontact.com/gb/products/1411271>

## Environmental product compliance

### EU RoHS

Fulfills EU RoHS substance requirements	Yes
Exemption	6(c)

### China RoHS

Environment friendly use period (EFUP)	EFUP-50
	An article-related China RoHS declaration table can be found in the download area for the respective article under "Manufacturer declaration". For all articles with EFUP-E, no China RoHS declaration table issued and required.

### EU REACH SVHC

REACH candidate substance (CAS No.)	Lead(CAS: 7439-92-1)
SCIP	17a420ff-a7e7-4b63-892b-07197ad9465b

Phoenix Contact 2026 © - all rights reserved

<https://www.phoenixcontact.com>

PHOENIX CONTACT Ltd  
Halesfield 13, Telford  
Shropshire, TF7 4PG  
01952 681700  
[info@phoenixcontact.co.uk](mailto:info@phoenixcontact.co.uk)