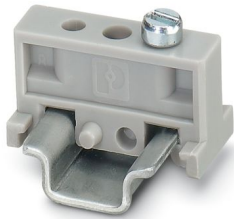


# E/MBK - End bracket

1401637

<https://www.phoenixcontact.com/gb/products/1401637>

Please be informed that the data shown in this PDF document is generated from our online catalog. Please find the complete data in the user documentation. Our general terms of use for downloads are valid.



End clamp, width: 6.2 mm, color: gray

## Your advantages

- Large-surface marking
- Can be screwed onto NS 15 DIN rails
- Can be mounted directly on the mounting panel as an MBK terminal block

## Commercial data

Item number	1401637
Packing unit	100 pc
Minimum order quantity	100 pc
Sales key	BE7111
Product key	BE7111
GTIN	4017918020484
Weight per piece (including packing)	1.633 g
Weight per piece (excluding packing)	1.62 g
Customs tariff number	39269097
Country of origin	PL

# E/MBK - End bracket

1401637

<https://www.phoenixcontact.com/gb/products/1401637>

## Technical data

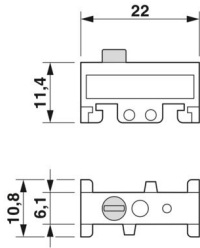
### Product properties

Product type	End bracket
--------------	-------------

### Connection data

Tightening torque	0.4 ... 0.5 Nm
-------------------	----------------

### Dimensions

Dimensional drawing	
Width	6.2 mm
Height	22 mm
Depth	11.4 mm
Depth on NS 35/7,5	13 mm
Length	22 mm

### Material specifications

Color	gray (RAL 7042)
Material	PA
Flammability rating according to UL 94	V2
Coating	3.2 mm fixing hole

### Environmental and real-life conditions

#### Ambient conditions

Ambient temperature (operation)	-60 °C ... 105 °C (max. short-term operating temperature RTI Elec.)
Ambient temperature (storage/transport)	-25 °C ... 60 °C (for a short time, not exceeding 24 h, -60 °C to +70 °C)
Ambient temperature (assembly)	-5 °C ... 70 °C
Ambient temperature (actuation)	-5 °C ... 70 °C
Permissible humidity (storage/transport)	30 % ... 70 %

### Mounting

Mounting type	NS 15
---------------	-------

# E/MBK - End bracket

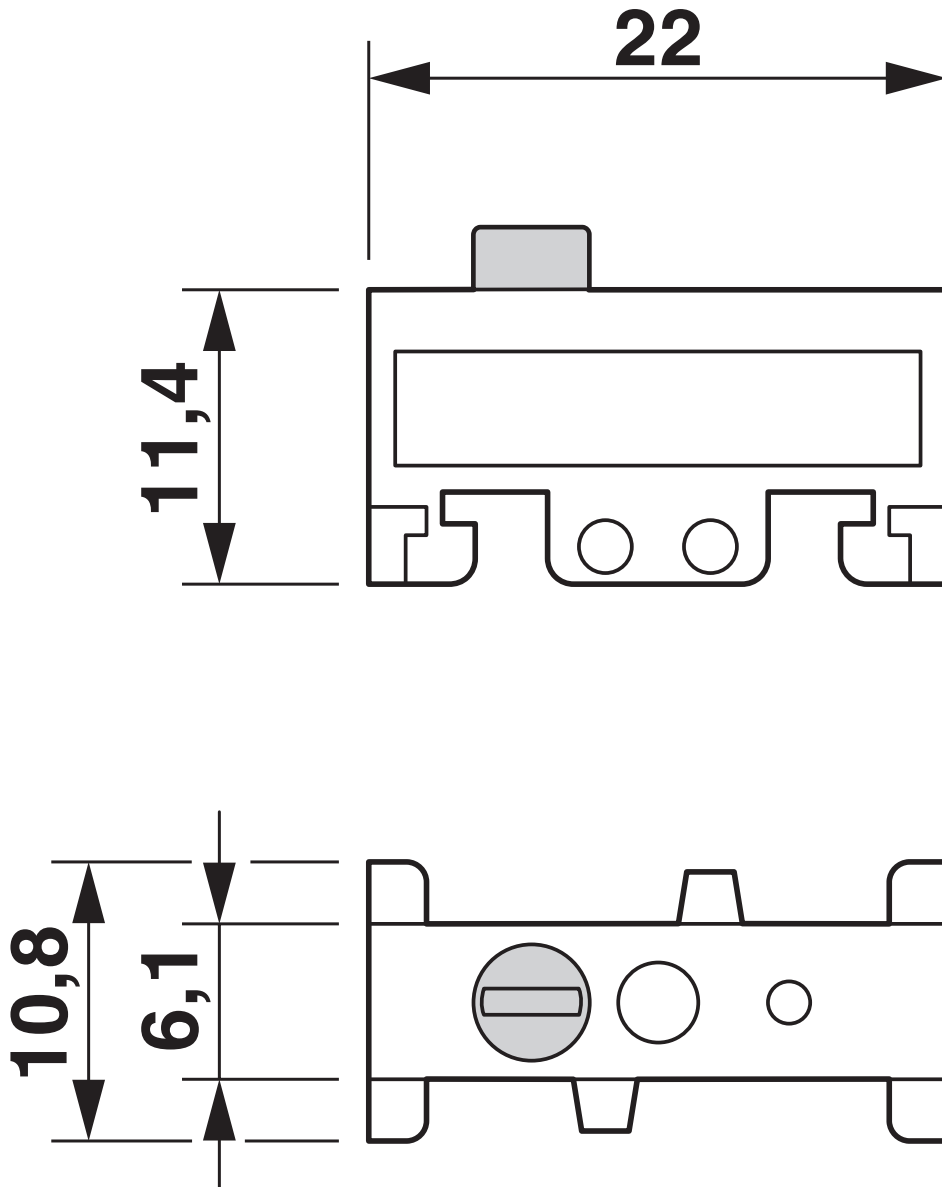
1401637

<https://www.phoenixcontact.com/gb/products/1401637>



## Drawings

Dimensional drawing



# E/MBK - End bracket



1401637

<https://www.phoenixcontact.com/gb/products/1401637>

## Classifications

### ECLASS

ECLASS-13.0	27250302
ECLASS-15.0	27250302

### ETIM

ETIM 10.0	EC001041
-----------	----------

### UNSPSC

UNSPSC 21.0	39121400
-------------	----------

# E/MBK - End bracket



1401637

<https://www.phoenixcontact.com/gb/products/1401637>

## Environmental product compliance

### EU RoHS

Fulfills EU RoHS substance requirements	Yes, No exemptions
---	--------------------

### China RoHS

Environment friendly use period (EFUP)	EFUP-E
	No hazardous substances above the limits

### EU REACH SVHC

REACH candidate substance (CAS No.)	No substance above 0.1 wt%
-------------------------------------	----------------------------

### EF3.1 Climate Change

CO2e kg	0.008 kg CO2e
---------	---------------

Phoenix Contact 2026 © - all rights reserved  
<https://www.phoenixcontact.com>

PHOENIX CONTACT Ltd  
Halesfield 13, Telford  
Shropshire, TF7 4PG  
01952 681700  
[info@phoenixcontact.co.uk](mailto:info@phoenixcontact.co.uk)