

# NS 35/ 7,5 PERF 250MM - DIN rail perforated



1207639

<https://www.phoenixcontact.com/gb/products/1207639>

Please be informed that the data shown in this PDF document is generated from our online catalog. Please find the complete data in the user documentation. Our general terms of use for downloads are valid.



DIN rail perforated, acc. to EN 60715, length: 250 mm, material: Steel, galvanized, passivated with a thick layer, mounting type: Standard profile, color: silver, Current dimensional tolerances: Profile tolerance due to burr/sharp edges =  $\pm 0.5$  mm, Initial dimension =  $\pm 0.5$  mm, Hole pattern =  $\pm 0.5$  mm, Hole position =  $\pm 0.5$  mm, Minimum rail length: Unperforated: > 20 mm, Perforated: > 100 mm, Last punching at Phoenix Contact: < 1750 mm

## Commercial data

Item number	1207639
Packing unit	1 pc
Minimum order quantity	20 pc
Sales key	BH8422
Product key	BH8422
GTIN	4046356366489
Weight per piece (including packing)	81.5 g
Weight per piece (excluding packing)	80 g
Customs tariff number	72166190
Country of origin	DE

# NS 35/ 7,5 PERF 250MM - DIN rail perforated



1207639

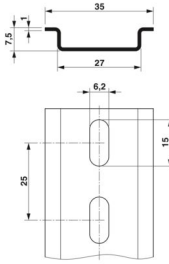
<https://www.phoenixcontact.com/gb/products/1207639>

## Technical data

### Product properties

Product type	DIN rail
--------------	----------

### Dimensions

Dimensional drawing	
Width	35 mm
Hole width	15 mm
Hole height	6.2 mm
Depth	7.5 mm
Length	250 mm
Drill hole spacing	25 mm

### Material specifications

Color	silver
Material	Steel
Coating	galvanized, passivated with a thick layer

### Standards and regulations

Connection in acc. with standard	IEC / EN
Tests	acc. to EN 60715

### Electrical tests

Short-time withstand current	
Equivalent E-Cu cross-section	16 mm <sup>2</sup>
Short-time current resistance 1s	1.92 kA

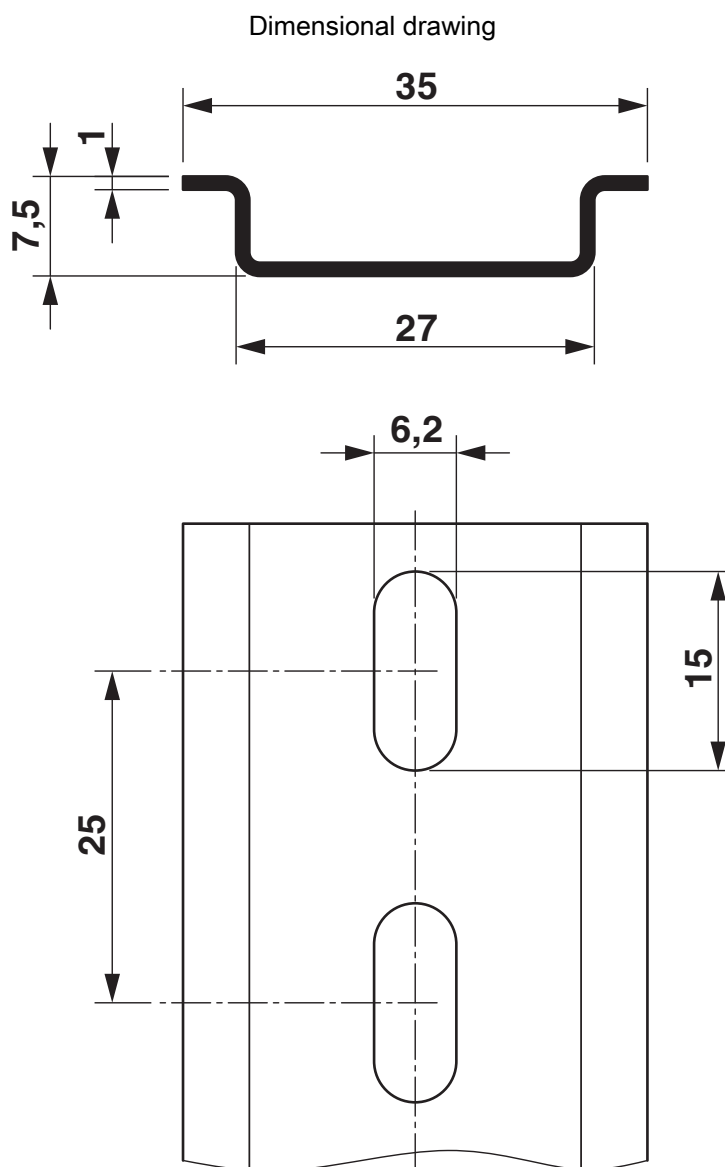
# NS 35/ 7,5 PERF 250MM - DIN rail perforated

1207639

<https://www.phoenixcontact.com/gb/products/1207639>



## Drawings



# NS 35/ 7,5 PERF 250MM - DIN rail perforated



1207639

<https://www.phoenixcontact.com/gb/products/1207639>

## Classifications

### ECLASS

ECLASS-13.0	27400602
ECLASS-15.0	27400602

### ETIM

ETIM 10.0	EC001285
-----------	----------

### UNSPSC

UNSPSC 21.0	39121700
-------------	----------

# NS 35/ 7,5 PERF 250MM - DIN rail perforated



1207639

<https://www.phoenixcontact.com/gb/products/1207639>

## Environmental product compliance

### EU RoHS

Fulfills EU RoHS substance requirements	Yes, No exemptions
---	--------------------

### China RoHS

Environment friendly use period (EFUP)	EFUP-E
	No hazardous substances above the limits

### EU REACH SVHC

REACH candidate substance (CAS No.)	No substance above 0.1 wt%
-------------------------------------	----------------------------

Phoenix Contact 2026 © - all rights reserved  
<https://www.phoenixcontact.com>

PHOENIX CONTACT Ltd  
Halesfield 13, Telford  
Shropshire, TF7 4PG  
01952 681700  
[info@phoenixcontact.co.uk](mailto:info@phoenixcontact.co.uk)