

SZK PZ1 VDE - Screwdriver



1206450

<https://www.phoenixcontact.com/gb/products/1206450>

Please be informed that the data shown in this PDF document is generated from our online catalog. Please find the complete data in the user documentation. Our general terms of use for downloads are valid.



Screwdriver, PZ crosshead, VDE insulated, size: PZ 1 x 80 mm, 2-component grip, with non-slip grip

Your advantages

- Screwdrivers for Phillips screws with Pozidriv and Phillips Recess screw head
- VDE approval

Commercial data

Item number	1206450
Packing unit	10 pc
Minimum order quantity	10 pc
Sales key	BH3146
Product key	BH3146
GTIN	4017918170912
Weight per piece (including packing)	60.7 g
Weight per piece (excluding packing)	60.7 g
Customs tariff number	82054000
Country of origin	CZ

SZK PZ1 VDE - Screwdriver



1206450

<https://www.phoenixcontact.com/gb/products/1206450>

Technical data

Notes

Environmental Product Compliance

California Proposition 65

Further information on California's prop. 65 is available under "Downloads" in the manufacturer's declaration

Product properties

Product type

Screwdriver tools

Type

Phillips

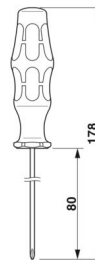
Connection data

Output

Crosshead/Pozidriv/Supadriv

Dimensions

Dimensional drawing



Width

33 mm

Blade width

3 mm

Blade height

80 mm

Length

178 mm

Wrench size

0 mm

Wrench size for mounting

0 mm

Material specifications

Material

alloyed tool steel

Standards and regulations

Tests

DIN/ISO 8764-1 PZ

SZK PZ1 VDE - Screwdriver

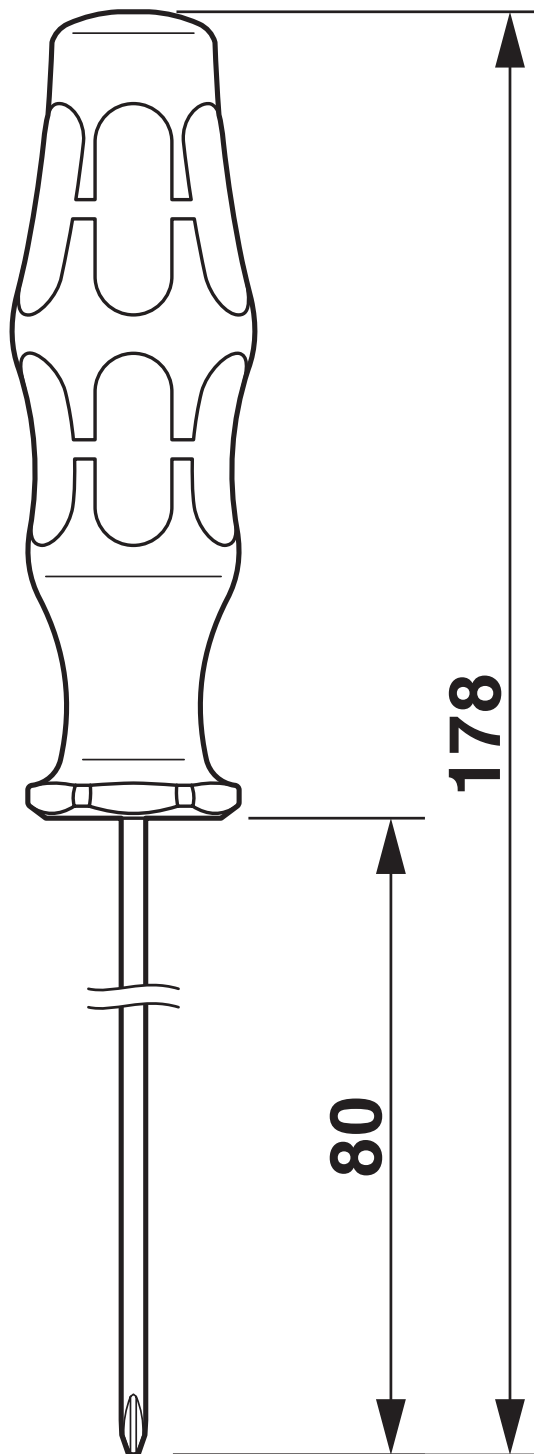
1206450

<https://www.phoenixcontact.com/gb/products/1206450>



Drawings

Dimensional drawing




SZK PZ1 VDE - Screwdriver



1206450

<https://www.phoenixcontact.com/gb/products/1206450>

Approvals

 To download certificates, visit the product detail page: <https://www.phoenixcontact.com/gb/products/1206450>



EAC

Approval ID: RU x-DE.xx08.B.02974



VDE Zeichengenehmigung

Approval ID: 086858



EAC

Approval ID: 7500525.13.12.00701

SZK PZ1 VDE - Screwdriver



1206450

<https://www.phoenixcontact.com/gb/products/1206450>

Classifications

ECLASS

ECLASS-13.0	21040406
ECLASS-15.0	21040406

ETIM

ETIM 10.0	EC000144
-----------	----------

UNSPSC

UNSPSC 21.0	27111700
-------------	----------

SZK PZ1 VDE - Screwdriver



1206450

<https://www.phoenixcontact.com/gb/products/1206450>

Environmental product compliance

EU RoHS

Fulfills EU RoHS substance requirements	Not applicable, No electrical and electronic equipment (EEE), cannot be used in EEE
---	---

EU REACH SVHC

REACH candidate substance (CAS No.)	No substance above 0.1 wt%
-------------------------------------	----------------------------

EF3.1 Climate Change

CO2e kg	0.902 kg CO2e
---------	---------------

Phoenix Contact 2026 © - all rights reserved
<https://www.phoenixcontact.com>

PHOENIX CONTACT Ltd
Halesfield 13, Telford
Shropshire, TF7 4PG
01952 681700
info@phoenixcontact.co.uk