

# SZK PH1 VDE - Screwdriver



1205150

<https://www.phoenixcontact.com/gb/products/1205150>

Please be informed that the data shown in this PDF document is generated from our online catalog. Please find the complete data in the user documentation. Our general terms of use for downloads are valid.



Screwdriver, PH crosshead, VDE insulated, size: PH 1 x 80 mm, 2-component grip, with non-slip grip

## Your advantages

- Screwdrivers for Phillips screws with Pozidriv and Phillips Recess screw head
- VDE approval

## Commercial data

Item number	1205150
Packing unit	10 pc
Minimum order quantity	10 pc
Sales key	BH3145
Product key	BH3145
GTIN	4017918019167
Weight per piece (including packing)	61.65 g
Weight per piece (excluding packing)	61.65 g
Customs tariff number	82054000
Country of origin	CZ

# SZK PH1 VDE - Screwdriver

1205150

<https://www.phoenixcontact.com/gb/products/1205150>



## Technical data

### Notes

#### Environmental Product Compliance

California Proposition 65

Further information on California's prop. 65 is available under "Downloads" in the manufacturer's declaration

### Product properties

Product type

Screwdriver tools

Type

Phillips

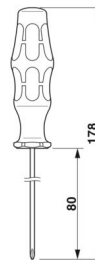
### Connection data

Output

Crosshead/Phillips Recess

### Dimensions

Dimensional drawing



Width

33 mm

Blade width

4.5 mm

Blade height

80 mm

Length

178 mm

Wrench size

0 mm

Wrench size for mounting

0 mm

### Material specifications

Material

alloyed tool steel

### Standards and regulations

Tests

DIN/ISO 8764-1 PH

# SZK PH1 VDE - Screwdriver

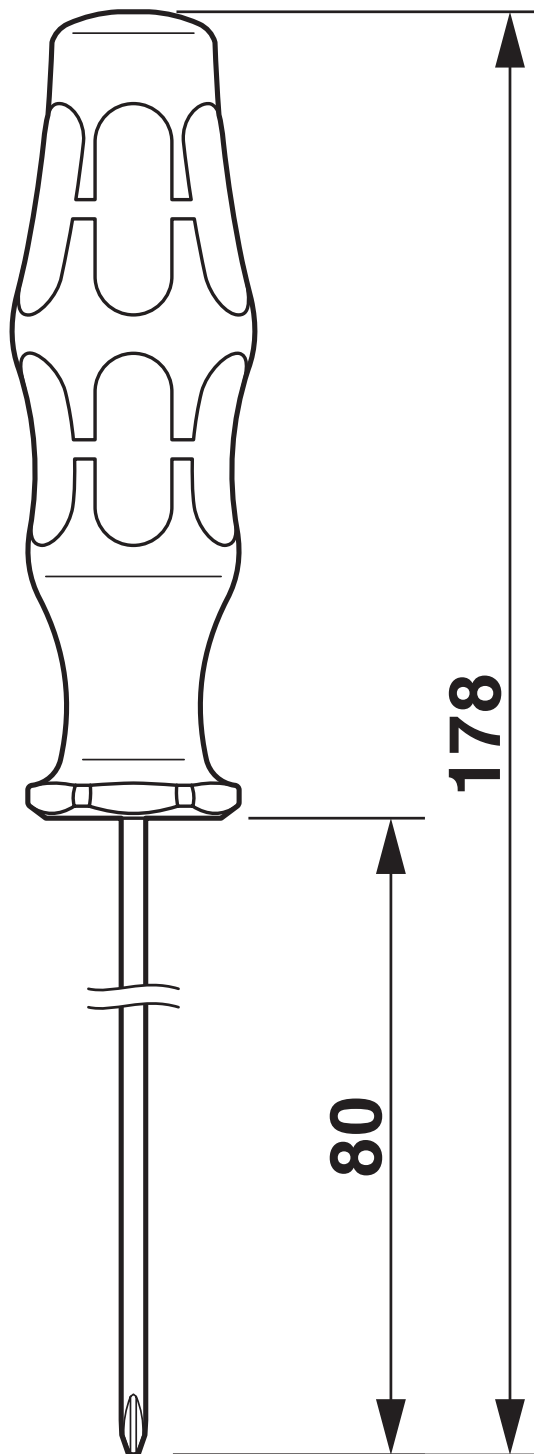
1205150

<https://www.phoenixcontact.com/gb/products/1205150>



## Drawings

Dimensional drawing




# SZK PH1 VDE - Screwdriver



1205150

<https://www.phoenixcontact.com/gb/products/1205150>

## Approvals

 To download certificates, visit the product detail page: <https://www.phoenixcontact.com/gb/products/1205150>



**EAC**

Approval ID: RU x-DE.xx08.B.02974



**VDE Zeichengenehmigung**

Approval ID: 086858



**EAC**

Approval ID: 7500525.13.12.00701

# SZK PH1 VDE - Screwdriver



1205150

<https://www.phoenixcontact.com/gb/products/1205150>

## Classifications

### ECLASS

ECLASS-13.0	21040406
ECLASS-15.0	21040406

### ETIM

ETIM 10.0	EC000144
-----------	----------

### UNSPSC

UNSPSC 21.0	27111700
-------------	----------

# SZK PH1 VDE - Screwdriver



1205150

<https://www.phoenixcontact.com/gb/products/1205150>

## Environmental product compliance

### EU RoHS

Fulfills EU RoHS substance requirements	Not applicable, No electrical and electronic equipment (EEE), cannot be used in EEE
---	---

### EU REACH SVHC

REACH candidate substance (CAS No.)	No substance above 0.1 wt%
-------------------------------------	----------------------------

### EF3.1 Climate Change

CO2e kg	0.795 kg CO2e
---------	---------------

Phoenix Contact 2026 © - all rights reserved  
<https://www.phoenixcontact.com>

PHOENIX CONTACT Ltd  
Halesfield 13, Telford  
Shropshire, TF7 4PG  
01952 681700  
[info@phoenixcontact.co.uk](mailto:info@phoenixcontact.co.uk)