

# SZG 0,9X6,5 VDE - Screwdriver



1205134

<https://www.phoenixcontact.com/gb/products/1205134>

Please be informed that the data shown in this PDF document is generated from our online catalog. Please find the complete data in the user documentation. Our general terms of use for downloads are valid.



Screwdriver, slot-headed, graded, for test socket screws, size: 0.9 x 6.5 x 175 mm, 2-component grip, with non-slip grip

## Your advantages

- Screwdriver ideally suited for test socket screws
- For working on or in the vicinity of live parts up to 1000 V AC or 1500 V DC
- The tools feature ergonomic two-component safety handles
- VDE-tested, for maximum safety

## Commercial data

Item number	1205134
Packing unit	10 pc
Minimum order quantity	10 pc
Sales key	BH3144
Product key	BH3144
GTIN	4017918019143
Weight per piece (including packing)	143.75 g
Weight per piece (excluding packing)	147.97 g
Customs tariff number	82054000
Country of origin	CZ

# SZG 0,9X6,5 VDE - Screwdriver



1205134

<https://www.phoenixcontact.com/gb/products/1205134>

## Technical data

### Notes

#### Environmental Product Compliance

California Proposition 65

Further information on California's prop. 65 is available under "Downloads" in the manufacturer's declaration

### Product properties

Product type

Screwdriver tools

Type

Bladed

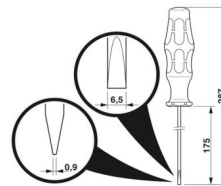
### Connection data

Output

Test socket screws

### Dimensions

Dimensional drawing



Width

40 mm

Blade width

6.5 mm

Blade height

175 mm

Length

287 mm

Wrench size

0 mm

Wrench size for mounting

0 mm

Blade thickness

0.9 mm

### Material specifications

Material

alloyed tool steel

### Standards and regulations

Tests

IEC 60900:2004

# SZG 0,9X6,5 VDE - Screwdriver

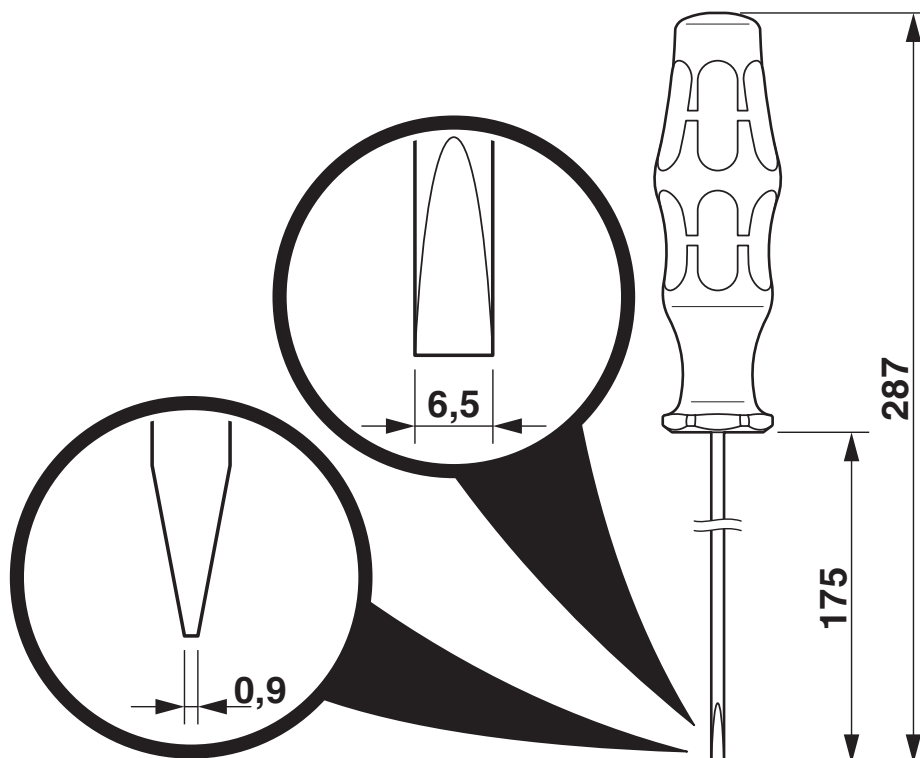
1205134

<https://www.phoenixcontact.com/gb/products/1205134>



## Drawings

Dimensional drawing



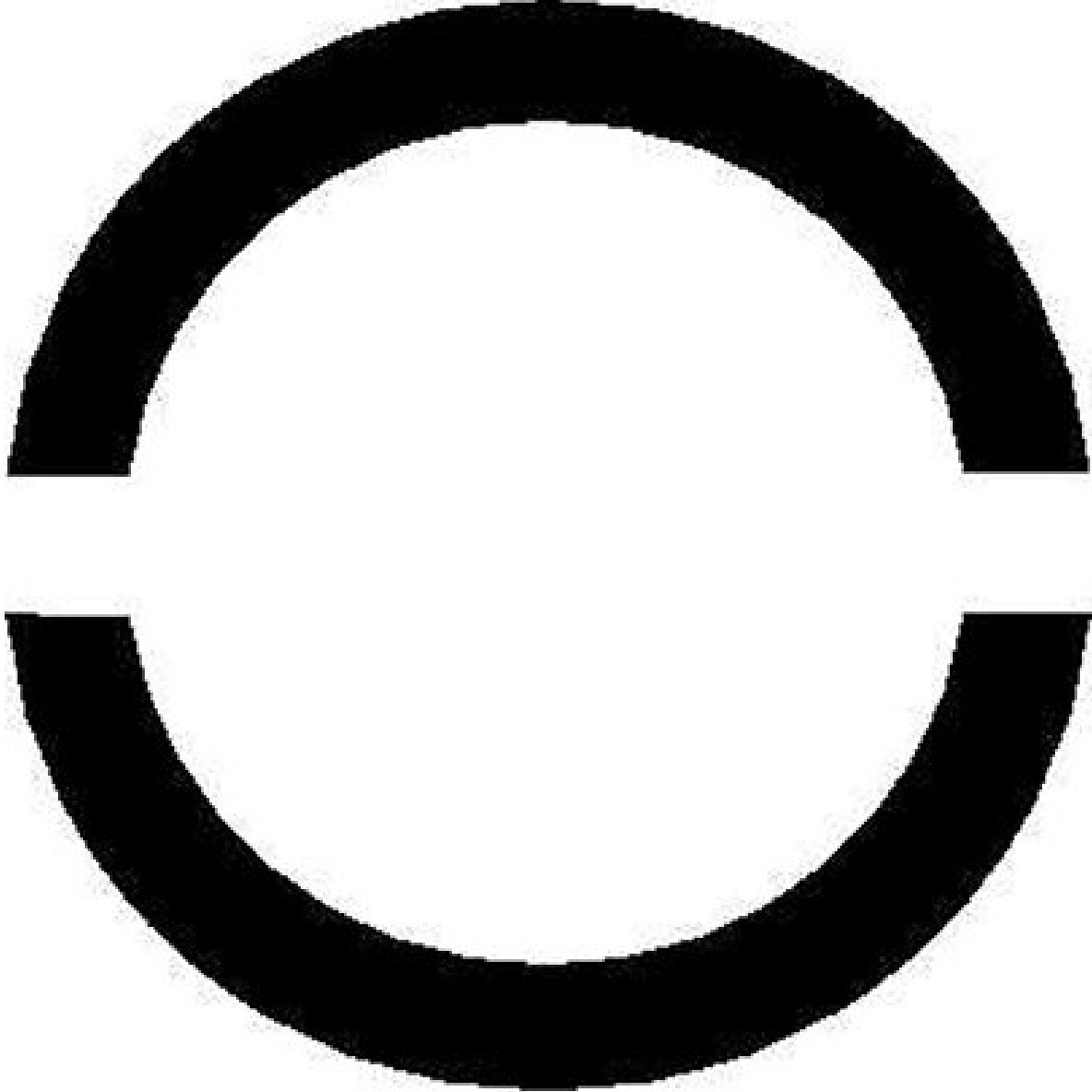
# SZG 0,9X6,5 VDE - Screwdriver

1205134

<https://www.phoenixcontact.com/gb/products/1205134>



Schematic diagram



# SZG 0,9X6,5 VDE - Screwdriver



1205134

<https://www.phoenixcontact.com/gb/products/1205134>

## Approvals

🔗 To download certificates, visit the product detail page: <https://www.phoenixcontact.com/gb/products/1205134>



**EAC**

Approval ID: RU x-DE.xx08.B.02974



**VDE Zeichengenehmigung**

Approval ID: 086858



**EAC**

Approval ID: 7500525.13.12.00701

# SZG 0,9X6,5 VDE - Screwdriver



1205134

<https://www.phoenixcontact.com/gb/products/1205134>

## Classifications

### ECLASS

ECLASS-13.0	21040407
ECLASS-15.0	21040407

### ETIM

ETIM 10.0	EC000158
-----------	----------

### UNSPSC

UNSPSC 21.0	27111700
-------------	----------

# SZG 0,9X6,5 VDE - Screwdriver



1205134

<https://www.phoenixcontact.com/gb/products/1205134>

## Environmental product compliance

### EU RoHS

Fulfills EU RoHS substance requirements	Not applicable, No electrical and electronic equipment (EEE), cannot be used in EEE
---	---

### EU REACH SVHC

REACH candidate substance (CAS No.)	No substance above 0.1 wt%
-------------------------------------	----------------------------

### EF3.1 Climate Change

CO2e kg	1.178 kg CO2e
---------	---------------

Phoenix Contact 2026 © - all rights reserved

<https://www.phoenixcontact.com>

PHOENIX CONTACT Ltd  
Halesfield 13, Telford  
Shropshire, TF7 4PG  
01952 681700  
[info@phoenixcontact.co.uk](mailto:info@phoenixcontact.co.uk)