

SZS 1,0X6,5 VDE - Screwdriver



1205079

<https://www.phoenixcontact.com/gb/products/1205079>

Please be informed that the data shown in this PDF document is generated from our online catalog. Please find the complete data in the user documentation. Our general terms of use for downloads are valid.



Screwdriver, slot-headed, VDE insulated, size: 1.0 x 6.5 x 150 mm, 2-component grip, with non-slip grip

Your advantages

- For working on or in the vicinity of live parts up to 1000 V AC or 1500 V DC
- The tools feature ergonomic two-component safety handles
- Large contact surface of blades inside screw head
- Individually tested safety screwdrivers according to DIN EN 60900 (VDE 0682-201)

Commercial data

| | |
|--------------------------------------|---------------|
| Item number | 1205079 |
| Packing unit | 10 pc |
| Minimum order quantity | 10 pc |
| Sales key | BH3144 |
| Product key | BH3144 |
| GTIN | 4017918019112 |
| Weight per piece (including packing) | 89.4 g |
| Weight per piece (excluding packing) | 88.6 g |
| Customs tariff number | 82054000 |
| Country of origin | CZ |

SZS 1,0X6,5 VDE - Screwdriver

1205079

<https://www.phoenixcontact.com/gb/products/1205079>

Technical data

Notes

Environmental Product Compliance

California Proposition 65

Further information on California's prop. 65 is available under "Downloads" in the manufacturer's declaration

Product properties

Product type

Screwdriver tools

Type

Bladed

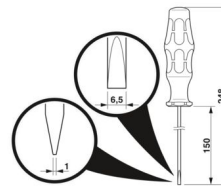
Connection data

Output

Bladed

Dimensions

Dimensional drawing



Width

33 mm

Blade width

6.5 mm

Blade height

150 mm

Length

248 mm

Wrench size

0 mm

Wrench size for mounting

0 mm

Blade thickness

1 mm

Material specifications

Material

alloyed tool steel

Standards and regulations

Tests

DIN/ISO 2380-1 IEC 60900:2004

SZS 1,0X6,5 VDE - Screwdriver

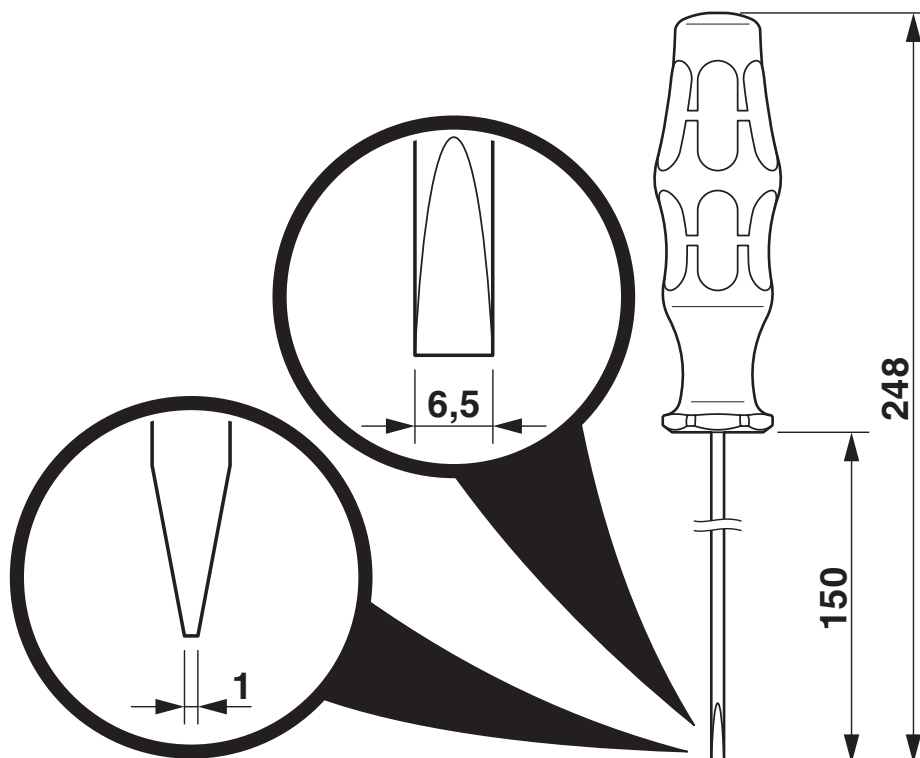
1205079

<https://www.phoenixcontact.com/gb/products/1205079>



Drawings

Dimensional drawing



SZS 1,0X6,5 VDE - Screwdriver



1205079

<https://www.phoenixcontact.com/gb/products/1205079>

Approvals

To download certificates, visit the product detail page: <https://www.phoenixcontact.com/gb/products/1205079>



EAC

Approval ID: RU x-DE.xx08.B.02974



VDE Zeichengenehmigung

Approval ID: 086858



EAC

Approval ID: 7500525.13.12.00701

SZS 1,0X6,5 VDE - Screwdriver



1205079

<https://www.phoenixcontact.com/gb/products/1205079>

Classifications

ECLASS

| | |
|-------------|----------|
| ECLASS-13.0 | 21040407 |
| ECLASS-15.0 | 21040407 |

ETIM

| | |
|-----------|----------|
| ETIM 10.0 | EC000158 |
|-----------|----------|

UNSPSC

| | |
|-------------|----------|
| UNSPSC 21.0 | 27111700 |
|-------------|----------|

SZS 1,0X6,5 VDE - Screwdriver



1205079

<https://www.phoenixcontact.com/gb/products/1205079>

Environmental product compliance

EU RoHS

| | |
|---|---|
| Fulfills EU RoHS substance requirements | Not applicable, No electrical and electronic equipment (EEE), cannot be used in EEE |
|---|---|

EU REACH SVHC

| | |
|-------------------------------------|----------------------------|
| REACH candidate substance (CAS No.) | No substance above 0.1 wt% |
|-------------------------------------|----------------------------|

EF3.1 Climate Change

| | |
|---------|---------------|
| CO2e kg | 1.228 kg CO2e |
|---------|---------------|

Phoenix Contact 2026 © - all rights reserved
<https://www.phoenixcontact.com>

PHOENIX CONTACT Ltd
Halesfield 13, Telford
Shropshire, TF7 4PG
01952 681700
info@phoenixcontact.co.uk