

SZS 0,6X2,5 VDE - Screwdriver



1205040

<https://www.phoenixcontact.com/gb/products/1205040>

Please be informed that the data shown in this PDF document is generated from our online catalog. Please find the complete data in the user documentation. Our general terms of use for downloads are valid.



Screwdriver, slot-headed, VDE insulated, size: 0.6 x 2.5 x 80 mm, 2-component grip, with non-slip grip

Your advantages

- For working on or in the vicinity of live parts up to 1000 V AC or 1500 V DC
- The tools feature ergonomic two-component safety handles
- Large contact surface of blades inside screw head
- Individually tested safety screwdrivers according to DIN EN 60900 (VDE 0682-201)

Commercial data

Item number	1205040
Packing unit	10 pc
Minimum order quantity	10 pc
Sales key	BH3144
Product key	BH3144
GTIN	4017918019082
Weight per piece (including packing)	29.84 g
Weight per piece (excluding packing)	29.84 g
Customs tariff number	82054000
Country of origin	CZ

SZS 0,6X2,5 VDE - Screwdriver

1205040

<https://www.phoenixcontact.com/gb/products/1205040>

Technical data

Notes

Environmental Product Compliance

California Proposition 65

Further information on California's prop. 65 is available under "Downloads" in the manufacturer's declaration

Product properties

Product type

Screwdriver tools

Type

Bladed

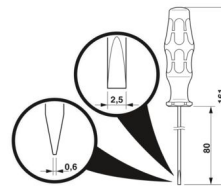
Connection data

Output

Bladed

Dimensions

Dimensional drawing



Width

26 mm

Blade width

2.5 mm

Blade height

80 mm

Length

161 mm

Wrench size

0 mm

Wrench size for mounting

0 mm

Blade thickness

0.6 mm

Material specifications

Material

alloyed tool steel

Standards and regulations

Tests

DIN/ISO 2380-1 IEC 60900:2004

SZS 0,6X2,5 VDE - Screwdriver

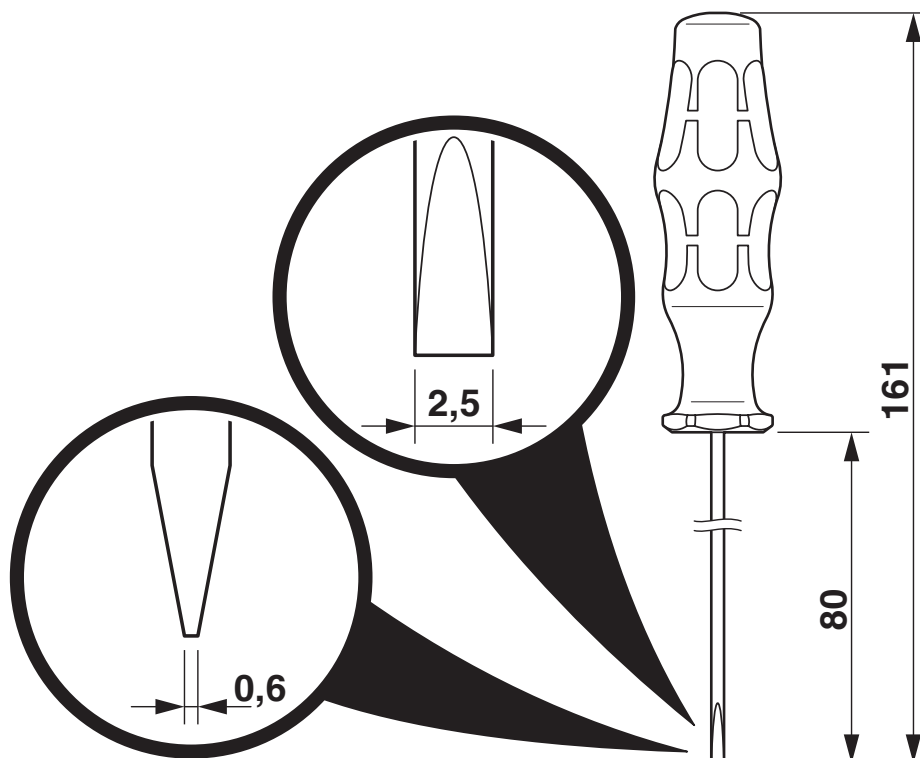
1205040

<https://www.phoenixcontact.com/gb/products/1205040>



Drawings

Dimensional drawing



SZS 0,6X2,5 VDE - Screwdriver



1205040

<https://www.phoenixcontact.com/gb/products/1205040>

Approvals

🔗 To download certificates, visit the product detail page: <https://www.phoenixcontact.com/gb/products/1205040>



EAC

Approval ID: RU x-DE.xx08.B.02974



VDE Zeichengenehmigung

Approval ID: 086858



EAC

Approval ID: 7500525.13.12.00701

SZS 0,6X2,5 VDE - Screwdriver



1205040

<https://www.phoenixcontact.com/gb/products/1205040>

Classifications

ECLASS

ECLASS-13.0	21040407
ECLASS-15.0	21040407

ETIM

ETIM 10.0	EC000158
-----------	----------

UNSPSC

UNSPSC 21.0	27111700
-------------	----------

SZS 0,6X2,5 VDE - Screwdriver



1205040

<https://www.phoenixcontact.com/gb/products/1205040>

Environmental product compliance

EU RoHS

Fulfills EU RoHS substance requirements	Not applicable, No electrical and electronic equipment (EEE), cannot be used in EEE
---	---

EU REACH SVHC

REACH candidate substance (CAS No.)	No substance above 0.1 wt%
-------------------------------------	----------------------------

EF3.1 Climate Change

CO2e kg	0.606 kg CO2e
---------	---------------

Phoenix Contact 2026 © - all rights reserved
<https://www.phoenixcontact.com>

PHOENIX CONTACT Ltd
Halesfield 13, Telford
Shropshire, TF7 4PG
01952 681700
info@phoenixcontact.co.uk