

# MACX-TR-2T-MUL - Timer relay



1103345

<https://www.phoenixcontact.com/gb/products/1103345>

Please be informed that the data shown in this PDF document is generated from our online catalog. Please find the complete data in the user documentation. Our general terms of use for downloads are valid.



Multifunctional timer relay, 24 V AC/DC ... 240 V AC/DC wide-range supply, with 14 functions, 2 adjustable times, adjustable time range (10 ms ... 999 h:59 min), two configuration possibilities, password protection, supporting dry contacts, PNP and NPN proximity switch inputs, 2 PDTs, screw connection

## Commercial data

Item number	1103345
Packing unit	1 pc
Minimum order quantity	1 pc
Note	Made to order (non-returnable)
Sales key	DK6621
Product key	DK6621
GTIN	4055626966038
Weight per piece (including packing)	188 g
Weight per piece (excluding packing)	132 g
Customs tariff number	85364190
Country of origin	CN

# MACX-TR-2T-MUL - Timer relay



1103345

<https://www.phoenixcontact.com/gb/products/1103345>

## Technical data

### Product properties

Product type	Timer relay
Mechanical service life	approx. $3 \times 10^7$ cycles

### Insulation characteristics

Insulation	Basic insulation
Overvoltage category	III
Pollution degree	3

### Electrical properties

Service life electrical	approx. $1 \times 10^5$ cycles, resistive load 2000 V A
Nominal frequency	48 Hz ... 63 Hz
Nominal power consumption	2.5 VA (0.8 W)
Rated insulation voltage	300 V AC
Dielectric strength	2 kV ((2 mA, 60 s) (IEC 60947-5-1))

### Input data

Nominal power consumption	2.5 VA (0.8 W)
Input voltage range	24 V AC/DC ... 240 V AC/DC (-15 % ... +10 %)
Temperature coefficient, typical	$\leq 0.01 \text{ } ^\circ\text{C}$
Recovery time	100 ms
Setting range time	10 ms ... 59999 min (10 ms ... 999 h 59 min.)
Setting accuracy	$\leq 0.5 \text{ } \%$ (> 1 s)
Repeat accuracy	$\leq 0.05 \text{ } \%$ (> 1 s)

### Control

Connection name	Non-floating, terminals A1-B1
Control pulse length	50 ms

### Output data

#### Switching

Contact switching type	2 floating changeover contacts
Contact material	AgSnO <sub>2</sub>
Maximum switching voltage	400 V AC
Interrupting rating (ohmic load) max.	2000 VA (8 A / 250 V AC)
Output fuse	8 A (fast-blow)

### Connection data

Connection method	Screw connection
Stripping length	10 mm
Conductor cross-section rigid	0.2 mm <sup>2</sup> ... 2.5 mm <sup>2</sup>
Conductor cross-section flexible	0.2 mm <sup>2</sup> ... 2.5 mm <sup>2</sup>

# MACX-TR-2T-MUL - Timer relay



1103345

<https://www.phoenixcontact.com/gb/products/1103345>

Conductor cross-section AWG	24 ... 14
Tightening torque	0.5 Nm ... 0.6 Nm (5 lb in ... 7 lb in)

## Dimensions

Width	22.5 mm
Height	109 mm
Depth	114 mm

## Material specifications

Color	gray (RAL 7042)
Flammability rating according to UL 94	V0
Housing insulation material	PBT

## Environmental and real-life conditions

### Ambient conditions

Degree of protection	IP20
Ambient temperature (operation)	-25 °C ... 60 °C
Ambient temperature (storage/transport)	-40 °C ... 85 °C
Altitude	≤ 2000 m
Permissible humidity (operation)	10 % ... 95 % (non-condensing)

## Approvals

### CE

Identification	CE-compliant
----------------	--------------

### UL, USA/Canada

Identification	UL/C-UL Listed UL 508
----------------	-----------------------

### CCC

Identification	GB/T 14048.5
----------------	--------------

## EMC data

Electromagnetic compatibility	Conformance with EMC directive
Low Voltage Directive	Conformance with Low Voltage Directive
Noise immunity	EN 61000-6-2
Impulse withstand voltage	4 kV (1.2/50 µs, IEC 60947-5-1)

### Noise emission

Standards/regulations	EN 61000-6-4
-----------------------	--------------

## Standards and regulations

Standards/regulations	IEC 60947-5-1
	IEC 61812-1

## Mounting

# MACX-TR-2T-MUL - Timer relay



1103345

<https://www.phoenixcontact.com/gb/products/1103345>

Mounting type	DIN rail mounting
Assembly note	on standard DIN rail NS 35 in accordance with EN 60715
Mounting position	any

# MACX-TR-2T-MUL - Timer relay

1103345

<https://www.phoenixcontact.com/gb/products/1103345>



## Drawings

Schematic diagram



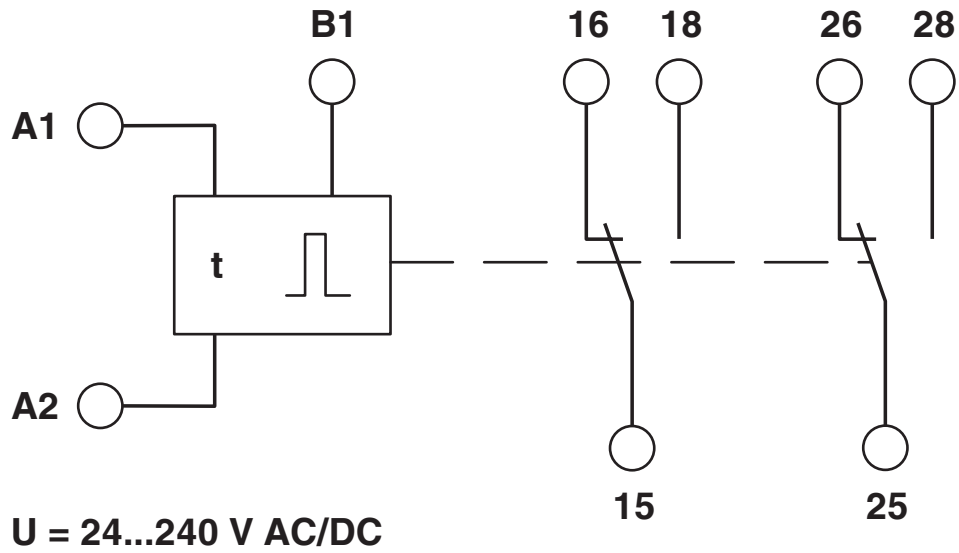
# MACX-TR-2T-MUL - Timer relay

1103345

<https://www.phoenixcontact.com/gb/products/1103345>



Block diagram



# MACX-TR-2T-MUL - Timer relay



1103345

<https://www.phoenixcontact.com/gb/products/1103345>

## Approvals

To download certificates, visit the product detail page: <https://www.phoenixcontact.com/gb/products/1103345>



**UL Listed**

Approval ID: FILE E 172140



**cUL Listed**

Approval ID: FILE E 172140



**CCC**

Approval ID: 2024010303656848



**cULus Listed**

Approval ID: E172140V1S9

# MACX-TR-2T-MUL - Timer relay



1103345

<https://www.phoenixcontact.com/gb/products/1103345>

## Classifications

### ECLASS

ECLASS-13.0	27371605
ECLASS-15.0	27371605

### ETIM

ETIM 10.0	EC001439
-----------	----------

### UNSPSC

UNSPSC 21.0	39122300
-------------	----------

# MACX-TR-2T-MUL - Timer relay



1103345

<https://www.phoenixcontact.com/gb/products/1103345>

## Environmental product compliance

### EU RoHS

Fulfills EU RoHS substance requirements	Yes
Exemption	7(a), 7(c)-I

### China RoHS

Environment friendly use period (EFUP)	EFUP-50
	An article-related China RoHS declaration table can be found in the download area for the respective article under "Manufacturer declaration". For all articles with EFUP-E, no China RoHS declaration table issued and required.

### EU REACH SVHC

REACH candidate substance (CAS No.)	Lead(CAS: 7439-92-1)
SCIP	b058784d-32c5-4b12-820e-3a15bc7f4bce

Phoenix Contact 2026 © - all rights reserved

<https://www.phoenixcontact.com>

PHOENIX CONTACT Ltd  
Halesfield 13, Telford  
Shropshire, TF7 4PG  
01952 681700  
[info@phoenixcontact.co.uk](mailto:info@phoenixcontact.co.uk)