

PTFIX 10/S-F - Flange

1082917

<https://www.phoenixcontact.com/gb/products/1082917>

Please be informed that the data shown in this PDF document is generated from our online catalog. Please find the complete data in the user documentation. Our general terms of use for downloads are valid.



Flange, With screw fixing, for direct mounting of the 10 mm² FIX blocks, depth: 25.1 mm, width: 8.6 mm, height: 37 mm, color: gray

Commercial data

Item number	1082917
Packing unit	20 pc
Minimum order quantity	20 pc
Sales key	BEAZ11
Product key	BEAZ11
GTIN	4055626817033
Weight per piece (including packing)	4.3 g
Weight per piece (excluding packing)	4.3 g
Customs tariff number	85389099
Country of origin	PL

PTFIX 10/S-F - Flange

1082917

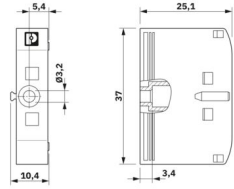
<https://www.phoenixcontact.com/gb/products/1082917>

Technical data

Product properties

Product type	Mounting material
--------------	-------------------

Dimensions

Dimensional drawing	
Width	8.6 mm
Height	37 mm
Depth	25.1 mm
Hole diameter	5.8 mm

Material specifications

Color	gray (RAL 7042)
Material	PA
Flammability rating according to UL 94	V0

Environmental and real-life conditions

Ambient conditions

Ambient temperature (operation)	-60 °C ... 105 °C (max. short-term operating temperature RTI Elec.)
Ambient temperature (storage/transport)	-25 °C ... 60 °C (for a short time, not exceeding 24 h, -60 °C to +70 °C)
Ambient temperature (assembly)	-5 °C ... 70 °C
Ambient temperature (actuation)	-5 °C ... 70 °C
Permissible humidity (storage/transport)	30 % ... 70 %

PTFIX 10/S-F - Flange

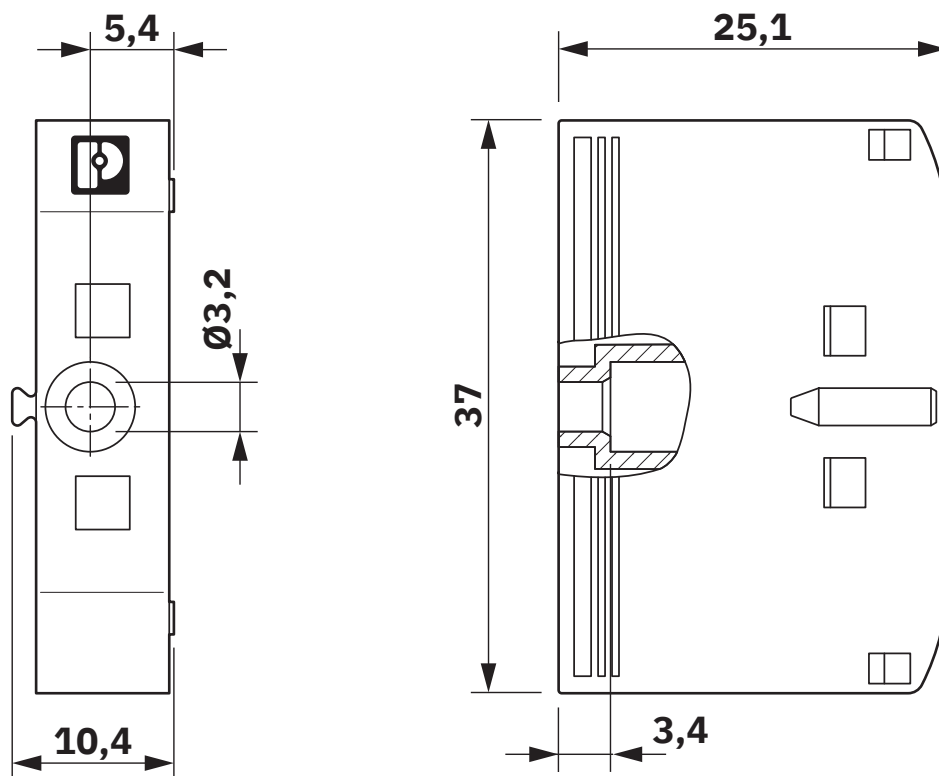
1082917

<https://www.phoenixcontact.com/gb/products/1082917>



Drawings

Dimensional drawing



PTFIX 10/S-F - Flange

1082917

<https://www.phoenixcontact.com/gb/products/1082917>



Approvals

To download certificates, visit the product detail page: <https://www.phoenixcontact.com/gb/products/1082917>



EAC

Approval ID: KZ7500651131219505

PTFIX 10/S-F - Flange

1082917

<https://www.phoenixcontact.com/gb/products/1082917>



Classifications

ECLASS

ECLASS-13.0	27250302
ECLASS-15.0	27250302

ETIM

ETIM 10.0	EC001041
-----------	----------

UNSPSC

UNSPSC 21.0	39121400
-------------	----------

PTFIX 10/S-F - Flange

1082917

<https://www.phoenixcontact.com/gb/products/1082917>



Environmental product compliance

EU RoHS

Fulfills EU RoHS substance requirements	Yes, No exemptions
---	--------------------

China RoHS

Environment friendly use period (EFUP)	EFUP-E
	No hazardous substances above the limits

EU REACH SVHC

REACH candidate substance (CAS No.)	No substance above 0.1 wt%
-------------------------------------	----------------------------

EF3.1 Climate Change

CO2e kg	0.026 kg CO2e
---------	---------------

Phoenix Contact 2026 © - all rights reserved
<https://www.phoenixcontact.com>

PHOENIX CONTACT Ltd
Halesfield 13, Telford
Shropshire, TF7 4PG
01952 681700
info@phoenixcontact.co.uk