

CLOUD IOT GATEWAY - IoT gateway



1031235

<https://www.phoenixcontact.com/gb/products/1031235>

Please be informed that the data shown in this PDF document is generated from our online catalog. Please find the complete data in the user documentation. Our general terms of use for downloads are valid.



Cloud IoT gateway for integrating new and existing systems without additional engineering costs. Through simple process connection using protocols such as Modbus/TCP, sensor and process data can be collected, processed, and monitored in Proficloud. It is not suitable for Proficloud.io.

Your advantages

- Secure transmission, thanks to TLS (Transport Layer Security) encryption
- Easy configuration, thanks to web-based management
- Dashboard for easy visualization of sensor and processor data
- Various protocols supported, e.g. Modbus/TCP
- Robust hardware for use in the industrial environment
- Direct connection to the Proficloud, the open IoT platform
- Compact housing

Commercial data

Item number	1031235
Packing unit	1 pc
Minimum order quantity	1 pc
Note	Made to order (non-returnable)
Sales key	DREDHA
Product key	DREDHA
GTIN	4055626534169
Weight per piece (including packing)	192.8 g
Weight per piece (excluding packing)	144.5 g
Customs tariff number	85176200
Country of origin	DE

Technical data

Product properties

Product type	Gateways/Proxies
Type	Stand-alone

System properties

IoT capability: PROFICLOUD

IoT platform	PROFICLOUD
Supports cloud computing	yes

Electrical properties

Power consumption	typ. 5 W
Protective circuit	Polarity protection, surge protection
Transmission medium	Copper

Supply

Supply voltage (DC)	24 V DC -20 % / +15 %
Supply voltage range	18 V DC ... 30 V DC
Typical current consumption	200 mA

Real-time clock

Realtime clock	Yes
----------------	-----

Potentials

Supply voltage	24 V DC
----------------	---------

Connection data

Connection method	Push-in connection
-------------------	--------------------

COMBICON connector

Connection method	Push-in connection
Conductor cross-section, rigid	0.2 mm ² ... 1.5 mm ²
Conductor cross-section, flexible	0.2 mm ² ... 1.5 mm ²
Conductor cross-section AWG	24 ... 16
Stripping length	8 mm

Interfaces

Web server	yes
------------	-----

RS-232

Connection method	COMBICON connectors
Transmission physics	Copper
No. of channels	1
Protocols supported	Modbus/RTU (Master)

CLOUD IOT GATEWAY - IoT gateway

1031235

<https://www.phoenixcontact.com/gb/products/1031235>

RS-485

Number of interfaces	1
Connection method	COMBICON connectors
Transmission physics	Copper
No. of channels	1
Protocols supported	Modbus/RTU

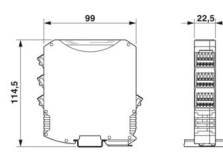
Ethernet

Number of interfaces	2
Connection method	RJ45
Transmission speed	100 Mbps
Transmission length	max. 100 m
Protocols supported	Modbus/TCP, HTTPS

Service

Number of interfaces	1
Connection method	USB type C
Note on the connection method	Female connector

Dimensions

Dimensional drawing	
Width	22.5 mm
Height	99 mm
Depth	114.5 mm

Material specifications

Color	gray
-------	------

Environmental and real-life conditions

Ambient conditions

Degree of protection	IP20 (per manufacturer's declaration)
Ambient temperature (operation)	-25 °C ... 55 °C up to 2000 m above mean sea level
Ambient temperature (storage/transport)	-25 °C ... 85 °C
Permissible humidity (operation)	30 % ... 95 % (according to DIN EN 61131-2)
Permissible humidity (storage/transport)	5 % ... 95 %
Shock (operation)	10g (Bump endurance test according to DIN EN 60068-2-27)
Air pressure (operation)	70 kPa ... 106 kPa (up to 3000 m above sea level)
Air pressure (storage/transport)	58 kPa ... 106 kPa (up to 4500 m above mean sea level)

EMC data

CLOUD IOT GATEWAY - IoT gateway



1031235

<https://www.phoenixcontact.com/gb/products/1031235>

Electromagnetic compatibility	Conformance with EMC Directive 2014/30/EU
Conformance with EMC directives	Immunity test in accordance with EN 61000-6-2/IEC 61000-6-2 Electrostatic discharge (ESD)EN 61000-4-2/IEC 61000-4-2 Criterion B, ± 6 kV contact discharge, ± 8 kV air discharge
	Immunity test in accordance with EN 61000-6-2/IEC 61000-6-2 Electromagnetic fieldsEN 61000-4-3/IEC 61000-4-3 Criterion A, Field intensity: 10 V/m
	Immunity test in accordance with EN 61000-6-2/IEC 61000-6-2 Fast transients (burst)EN 61000-4-4/IEC 61000-4-4 Criterion B, ± 2 kV
	Immunity test in accordance with EN 61000-6-2/IEC 61000-6-2 Transient overvoltage (surge)EN 61000-4-5/IEC 61000-4-5 Criterion B, DC supply lines: ± 0.5 kV/ ± 0.5 kV (symmetrical/asymmetrical), fieldbus cable shield: ± 1 kV
	Immunity test in accordance with EN 61000-6-2/IEC 61000-6-2 Conducted interferenceEN 61000-4-6/IEC 61000-4-6 Criterion A, Test voltage 10 V
	Noise emission test in accordance with EN 61000-6-3/IEC 61000-6-3 Class B

Mounting

Mounting type	DIN rail mounting
---------------	-------------------

CLOUD IOT GATEWAY - IoT gateway

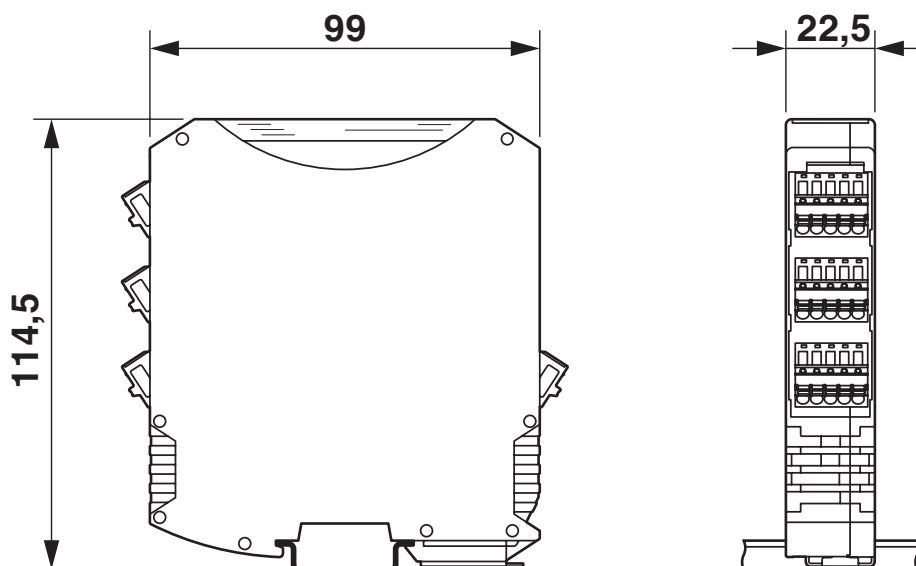
1031235

<https://www.phoenixcontact.com/gb/products/1031235>



Drawings

Dimensional drawing



CLOUD IOT GATEWAY - IoT gateway



1031235

<https://www.phoenixcontact.com/gb/products/1031235>

Classifications

UNSPSC

UNSPSC 21.0	32151600
-------------	----------

CLOUD IOT GATEWAY - IoT gateway



1031235

<https://www.phoenixcontact.com/gb/products/1031235>

Environmental product compliance

EU RoHS

Fulfills EU RoHS substance requirements	Yes, No exemptions
---	--------------------

China RoHS

Environment friendly use period (EFUP)	EFUP-E
	No hazardous substances above the limits

EU REACH SVHC

REACH candidate substance (CAS No.)	No substance above 0.1 wt%
-------------------------------------	----------------------------

Phoenix Contact 2026 © - all rights reserved
<https://www.phoenixcontact.com>

PHOENIX CONTACT Ltd
Halesfield 13, Telford
Shropshire, TF7 4PG
01952 681700
info@phoenixcontact.co.uk