

SAC-3P-M12Y/2XM 8FS - Y distributor



1683471

<https://www.phoenixcontact.com/us/products/1683471>

Please be informed that the data shown in this PDF document is generated from our online catalog. Please find the complete data in the user documentation. Our general terms of use for downloads are valid.



Y distributor, 4-position, unshielded, Plug straight M12, coding: A, on Socket straight M8, coding: A and Socket straight M8, coding: A

Commercial data

Item number	1683471
Packing unit	5 pc
Minimum order quantity	1 pc
Sales key	BF10
Product key	BF1GAB
Catalog page	Page 252 (C-2-2019)
GTIN	4017918166939
Weight per piece (including packing)	12.95 g
Weight per piece (excluding packing)	13.1 g
Customs tariff number	85366990
Country of origin	PL

SAC-3P-M12Y/2XM 8FS - Y distributor

1683471

<https://www.phoenixcontact.com/us/products/1683471>

Technical data

Product properties

Product type	Y-distributor
Number of positions	4
No. of cable outlets	2
Shielded	no
Coding	A
Thread type	M12 to M8

Insulation characteristics

Overvoltage category	II
Degree of pollution	3

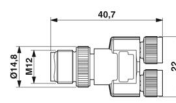
Electrical properties

Insulation resistance	$\geq 100 \text{ M}\Omega$
Nominal voltage U_N	48 V AC
	60 V DC
Nominal current I_N	4 A

Signaling

Status display	no
Status display present	No

Dimensions

Dimensional drawing	
Width	22 mm
Height	14.8 mm
Length	40.7 mm
Center distance	12 mm

Material specifications

Flammability rating according to UL 94	HB
Seal material	NBR
Material of grip body	TPU, hardly inflammable, self-extinguishing
Contact material	CuZn
Contact surface material	Ni/Au
Contact carrier material	TPU GF
Material for screw connection	Zinc die-cast, nickel-plated

SAC-3P-M12Y/2XM 8FS - Y distributor



1683471

<https://www.phoenixcontact.com/us/products/1683471>

Connector

Connection 1

Type	Plug straight M12
Coding type	A

Connection 2

Type	Socket straight M8
Coding type	A

Connection 3

Type	Socket straight M8
Coding type	A

Mechanical properties

Mechanical data

Insertion/withdrawal cycles	≥ 100
-----------------------------	-------

Environmental and real-life conditions

Ambient conditions

Degree of protection	IP65
	IP67
Ambient temperature (operation)	-25 °C ... 90 °C (Plug / socket)

Standards and regulations

M12

Standard designation	M12 connector
Standards/specifications	IEC 61076-2-101

M8

Standard designation	M8 connector
Standards/specifications	IEC 61076-2-104

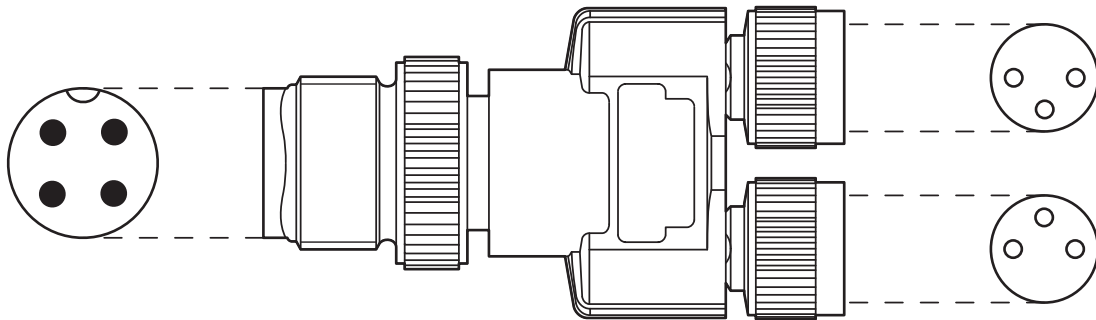
SAC-3P-M12Y/2XM 8FS - Y distributor

1683471

<https://www.phoenixcontact.com/us/products/1683471>

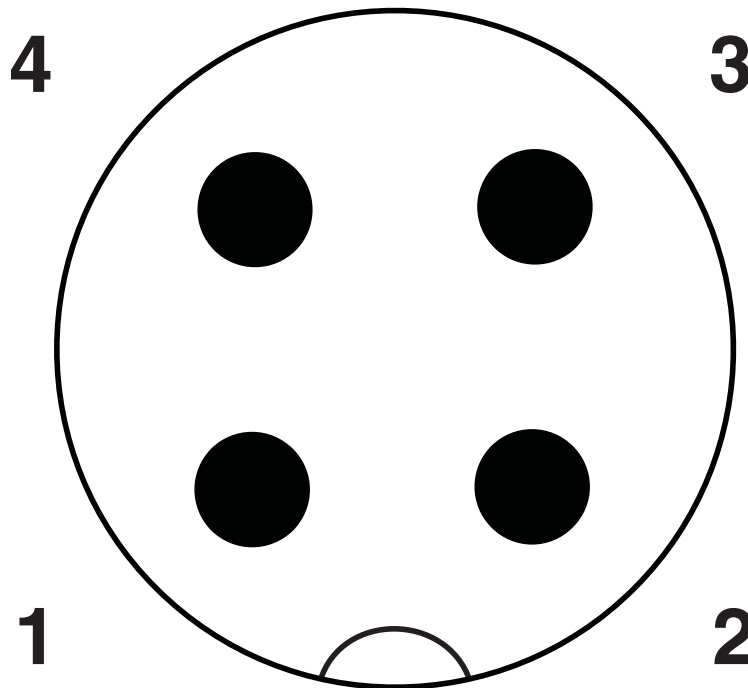
Drawings

Schematic diagram



Layout of connector pin assignments

Schematic diagram



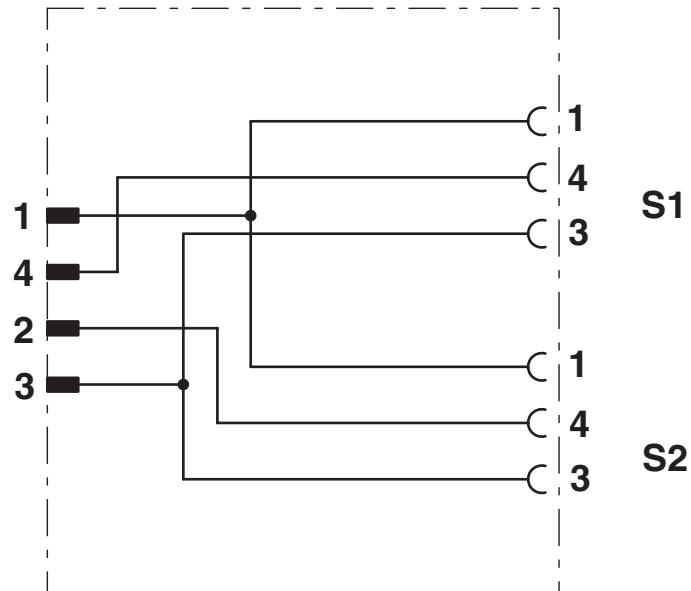
Pin assignment M12 plug, 4-pos., A-coded, view plug side

SAC-3P-M12Y/2XM 8FS - Y distributor

1683471

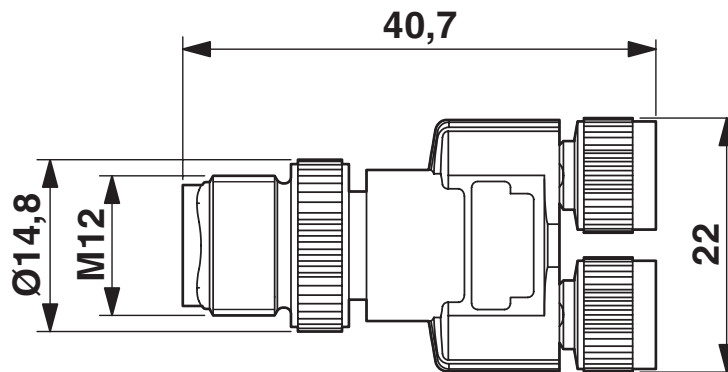
<https://www.phoenixcontact.com/us/products/1683471>

Circuit diagram



Contact assignment of the M12/M8 Y distributor

Dimensional drawing



M12 Y distributor

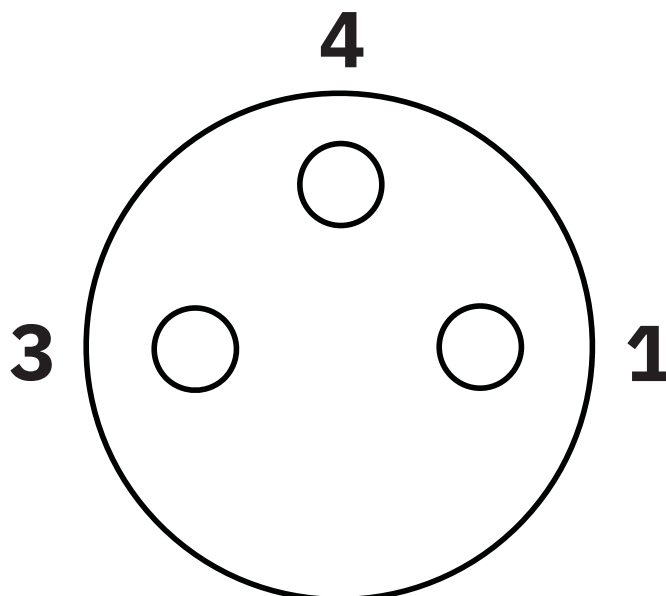
SAC-3P-M12Y/2XM 8FS - Y distributor

1683471

<https://www.phoenixcontact.com/us/products/1683471>



Schematic diagram



Pin assignment M8 socket, 3-pos., view female side

SAC-3P-M12Y/2XM 8FS - Y distributor



1683471

<https://www.phoenixcontact.com/us/products/1683471>

Approvals

To download certificates, visit the product detail page: <https://www.phoenixcontact.com/us/products/1683471>



EAC

Approval ID: RU C-DE.AI30.B.01102



EAC

Approval ID: EAC-Zulassung



UL Listed

Approval ID: E221474

	Nominal voltage U_N	Nominal current I_N	Cross section AWG	Cross section mm^2
	30 V	4 A	-	-



cUL Listed

Approval ID: E221474

	Nominal voltage U_N	Nominal current I_N	Cross section AWG	Cross section mm^2
	30 V	4 A	-	-

cULus Listed

SAC-3P-M12Y/2XM 8FS - Y distributor



1683471

<https://www.phoenixcontact.com/us/products/1683471>

Classifications

ECLASS

ECLASS-11.0	27440106
ECLASS-12.0	27440106
ECLASS-13.0	27440106

ETIM

ETIM 9.0	EC002925
----------	----------

UNSPSC

UNSPSC 21.0	31251500
-------------	----------

SAC-3P-M12Y/2XM 8FS - Y distributor



1683471

<https://www.phoenixcontact.com/us/products/1683471>

Environmental product compliance

EU RoHS

Fulfills EU RoHS substance requirements	Yes, No exemptions
---	--------------------

China RoHS

Environment friendly use period (EFUP)	EFUP-E
	No hazardous substances above the limits

EU REACH SVHC

REACH candidate substance (CAS No.)	No substance above 0.1 wt%
-------------------------------------	----------------------------

EF3.0 Climate Change

CO2e kg	0.611 kg CO2e
---------	---------------

Phoenix Contact 2024 © - all rights reserved
<https://www.phoenixcontact.com>

Phoenix Contact USA
586 Fulling Mill Road
Middletown, PA 17057, United States
(+717) 944-1300
info@phoenixcon.com