

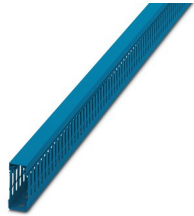
CD-HF 25X60 BU - Cable duct



3240584

<https://www.phoenixcontact.com/us/products/3240584>

Please be informed that the data shown in this PDF document is generated from our online catalog. Please find the complete data in the user documentation. Our general terms of use for downloads are valid.



Cable duct for installation and mounting in control cabinets, blue, halogen-free, comprising upper part and mounting base, width: 25 mm, height: 60 mm, length: 2000 mm

Commercial data

Item number	3240584
Packing unit	1 pc
Minimum order quantity	15 pc
Sales key	BE74
Product key	BE7442
Catalog page	Page 579 (C-3-2019)
GTIN	4046356630023
Weight per piece (including packing)	492 g
Weight per piece (excluding packing)	492 g
Customs tariff number	39259020
Country of origin	DE

CD-HF 25X60 BU - Cable duct

3240584

<https://www.phoenixcontact.com/us/products/3240584>

Technical data

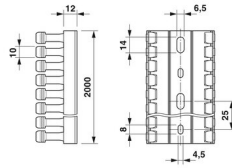
Product properties

Product type	Wiring duct
--------------	-------------

Connection data

Nominal cross section	836 mm ²
-----------------------	---------------------

Dimensions

Dimensional drawing	
Width	25 mm
Height	2000 mm
Depth	60 mm
Length	2000 mm

Material specifications

Color	blue
Material	PC/ABS
Flammability rating according to UL 94	V0
Components	halogen-free

Cable/line

Halogen-free	yes
--------------	-----

Environmental and real-life conditions

Ambient conditions

Ambient temperature (operation)	-40 °C ... 90 °C
---------------------------------	------------------

CD-HF 25X60 BU - Cable duct

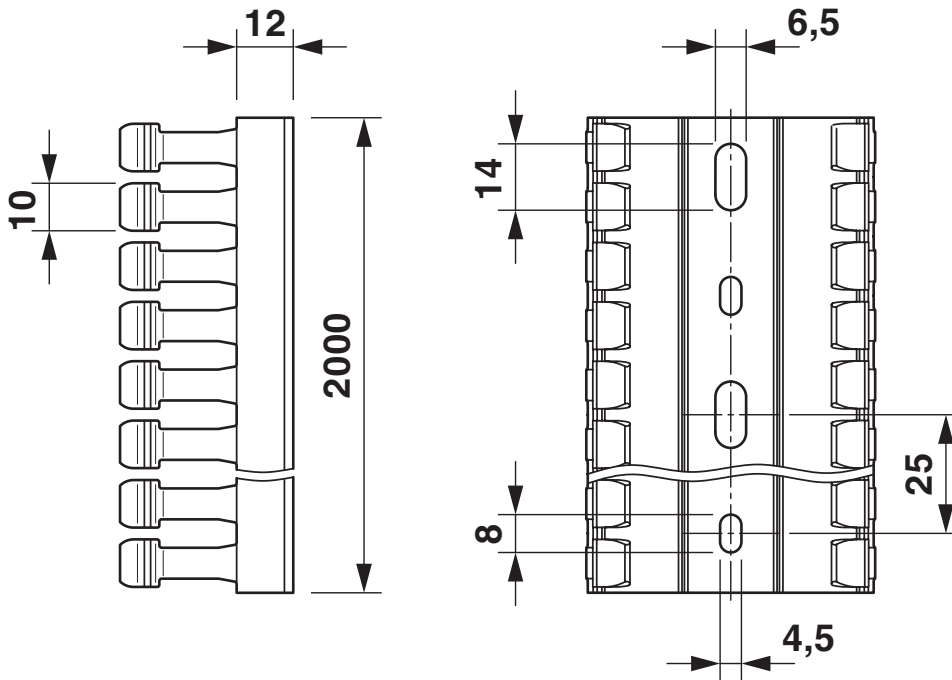
3240584

<https://www.phoenixcontact.com/us/products/3240584>



Drawings

Dimensional drawing



Base perforation according to DIN EN 50085

CD-HF 25X60 BU - Cable duct



3240584

<https://www.phoenixcontact.com/us/products/3240584>

Approvals

To download certificates, visit the product detail page: <https://www.phoenixcontact.com/us/products/3240584>



CSA

Approval ID: 248269



VDE Zeichengenehmigung

Approval ID: 40028972



EAC

Approval ID: RU C-DE.PB68.W.00513



UL Recognized

Approval ID: FILE E 328576

CD-HF 25X60 BU - Cable duct



3240584

<https://www.phoenixcontact.com/us/products/3240584>

Classifications

ECLASS

ECLASS-11.0	27400703
ECLASS-12.0	27400703
ECLASS-13.0	27400703

ETIM

ETIM 9.0	EC000012
----------	----------

UNSPSC

UNSPSC 21.0	39131700
-------------	----------

CD-HF 25X60 BU - Cable duct

3240584

<https://www.phoenixcontact.com/us/products/3240584>



Environmental product compliance

China RoHS	Environmentally friendly use period: unlimited = EFUP-e No hazardous substances above threshold values
------------	---

CD-HF 25X60 BU - Cable duct

3240584

<https://www.phoenixcontact.com/us/products/3240584>



Accessories

RVT-PA 4 - Fastening clip

3240498

<https://www.phoenixcontact.com/us/products/3240498>



Plastic body-bound rivet, for hole diameter of 4 mm and a material thickness of 1.5 ... 6 mm

RVT-PA 6 - Fastening clip

3240499

<https://www.phoenixcontact.com/us/products/3240499>



Plastic body-bound rivet, for hole diameter of 6 mm and a material thickness of 1.5 ... 6 mm

CD-HF 25X60 BU - Cable duct

3240584

<https://www.phoenixcontact.com/us/products/3240584>



UNIFOX-RVT P 4 - Tool

1212478

<https://www.phoenixcontact.com/us/products/1212478>



Rivet setting tool, for use with RVT-PA 4 plastic body-bound rivets

UNIFOX-RVT P 6 - Tool

1212509

<https://www.phoenixcontact.com/us/products/1212509>



Rivet setting tool, for use with RVT-PA 6 plastic body-bound rivets

Phoenix Contact 2023 © - all rights reserved
<https://www.phoenixcontact.com>

Phoenix Contact USA
586 Fulling Mill Road
Middletown, PA 17057, United States
(+717) 944-1300
info@phoenixcon.com