

SF-ASD 16 - Cordless screwdriver



1200294

<https://www.phoenixcontact.com/us/products/1200294>

Please be informed that the data shown in this PDF document is generated from our online catalog. Please find the complete data in the user documentation. Our general terms of use for downloads are valid.



Cordless screwdriver, incl. battery, two-speed gearbox, forward/reverse running and 16-stage clutch up to 450 rpm, hexagonal quick connection.

Your advantages

- 3.6 V
- Cordless screwdriver with two-speed gearbox, forward/reverse running and 16-stage clutch with drilling speed of up to 450 rpm
- Adjustable from 0.2 ... 4.3 Nm
- Comfortable one-handed operation in a straight or angled position
- 6.3 mm hexagonal fast connection drill chuck
- Compact design

Commercial data

Item number	1200294
Packing unit	1 pc
Minimum order quantity	1 pc
Sales key	BH32
Product key	BH3243
Catalog page	Page 454 (C-3-2019)
GTIN	4055626666426
Weight per piece (including packing)	565 g
Weight per piece (excluding packing)	465 g
Customs tariff number	84672920
Country of origin	TW

SF-ASD 16 - Cordless screwdriver



1200294

<https://www.phoenixcontact.com/us/products/1200294>

Technical data

Notes

General	packed in cardboard
Environmental Product Compliance	
California Proposition 65	Further information on California's prop. 65 is available under "Downloads" in the manufacturer's declaration

Product properties

Product type	Torque tool
Type of packaging	packed in cardboard
Battery-operated voltage	3.6 V
Battery charging	60 min.

Insulation characteristics

Protection class	II
------------------	----

Electrical properties

Power consumption	7.2 W
Nominal voltage U_N	3.6 V DC
	3.6 V DC

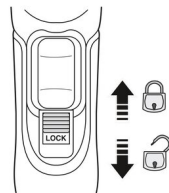
Battery

Battery charging	60 min.
Battery-operated voltage	3.6 V DC
Battery capacity	2.00 Ah

Connection data

Torque range	0.2 Nm ... 4.3 Nm
Output	Universal, replaceable

Dimensions

Dimensional drawing	
Width	45 mm
Height	172 mm
Length	266 mm

Environmental and real-life conditions

SF-ASD 16 - Cordless screwdriver



1200294

<https://www.phoenixcontact.com/us/products/1200294>

Ambient conditions

Ambient temperature (operation)	5 °C ... 40 °C
Ambient temperature (storage/transport)	-25 °C ... 60 °C
Permissible humidity (operation)	95 % (<)

SF-ASD 16 - Cordless screwdriver

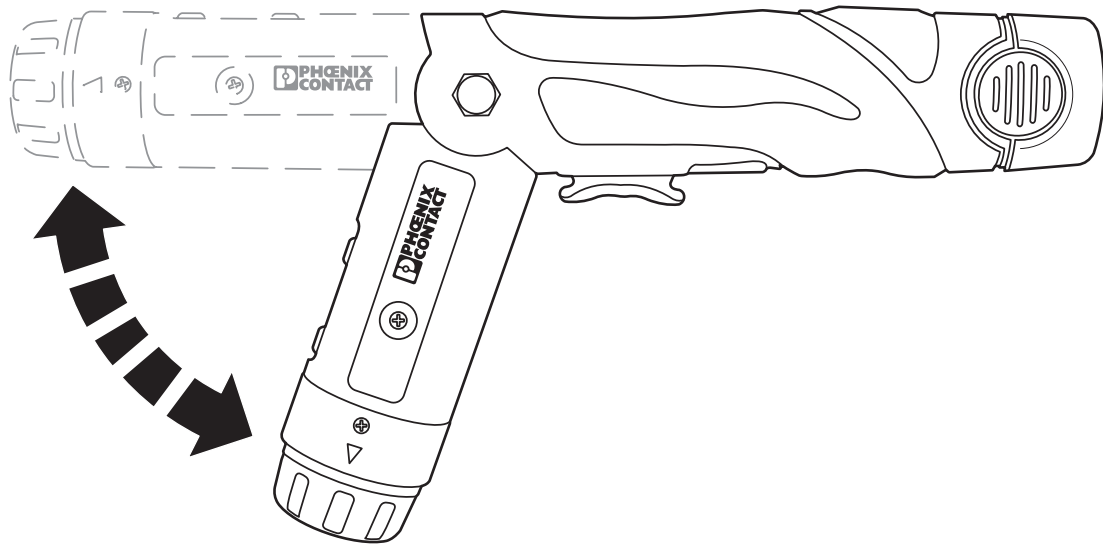


1200294

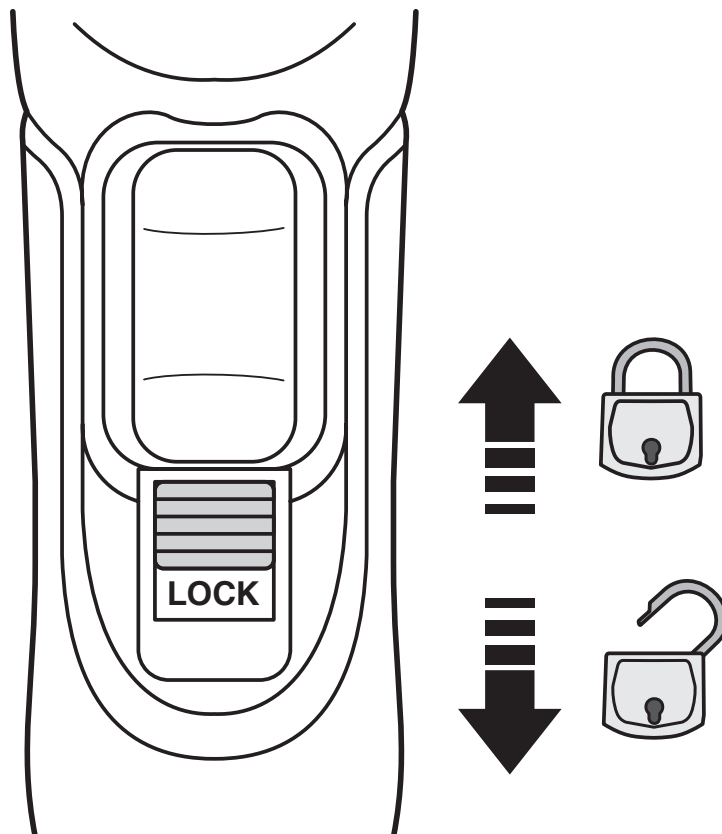
<https://www.phoenixcontact.com/us/products/1200294>

Drawings

Schematic diagram



Dimensional drawing



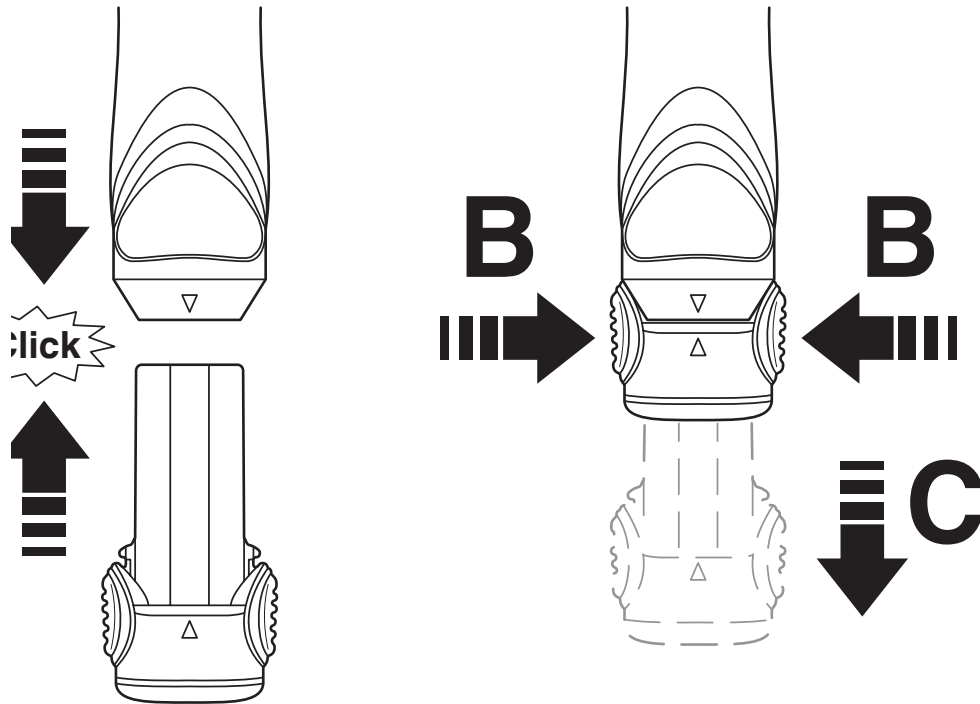
SF-ASD 16 - Cordless screwdriver

1200294

<https://www.phoenixcontact.com/us/products/1200294>



Schematic diagram



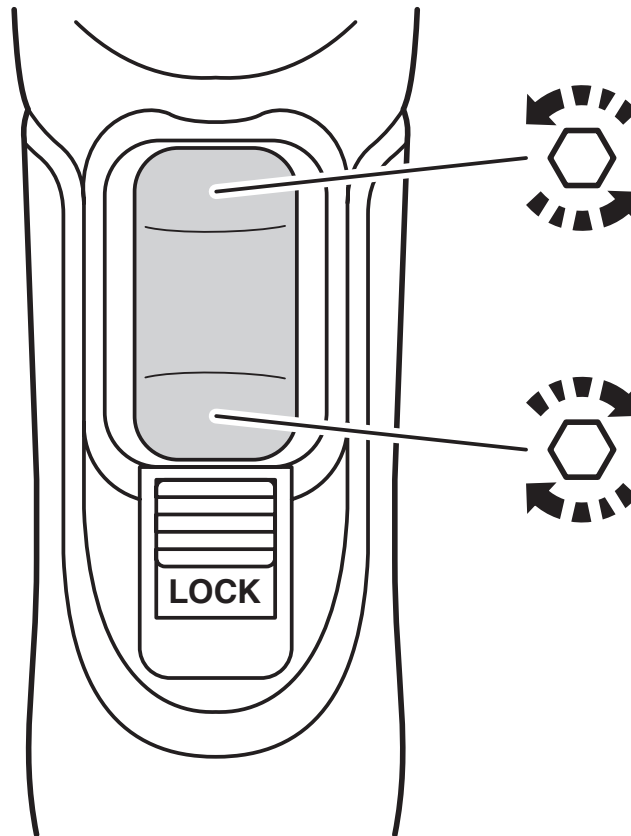
SF-ASD 16 - Cordless screwdriver

1200294

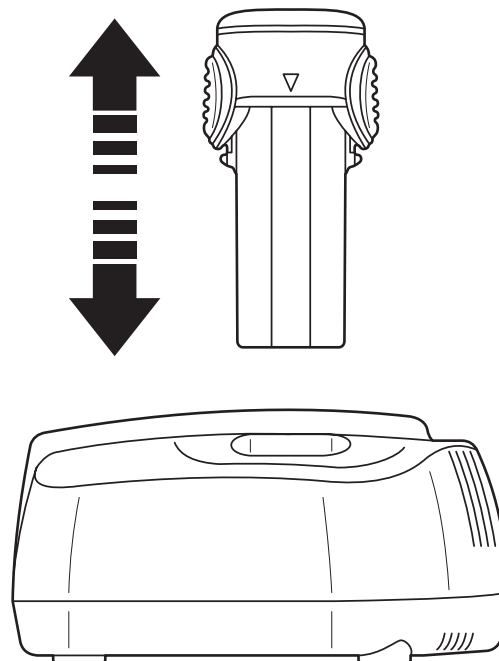
<https://www.phoenixcontact.com/us/products/1200294>



Schematic diagram



Schematic diagram



SF-ASD 16 - Cordless screwdriver



1200294

<https://www.phoenixcontact.com/us/products/1200294>

Approvals

To download certificates, visit the product detail page: <https://www.phoenixcontact.com/us/products/1200294>



EAC

Approval ID: RU C-DE.BE02.B.03066

SF-ASD 16 - Cordless screwdriver



1200294

<https://www.phoenixcontact.com/us/products/1200294>

Classifications

ECLASS

ECLASS-11.0	21052190
ECLASS-12.0	21052190
ECLASS-13.0	21050804

ETIM

ETIM 9.0	EC001395
----------	----------

UNSPSC

UNSPSC 21.0	27111700
-------------	----------

SF-ASD 16 - Cordless screwdriver



1200294

<https://www.phoenixcontact.com/us/products/1200294>

Environmental product compliance

REACH SVHC	Lead 7439-92-1
China RoHS	Environmentally Friendly Use Period = 5
	For information on hazardous substances, refer to the manufacturer's declaration available under "Downloads"

SF-ASD 16 - Cordless screwdriver



1200294

<https://www.phoenixcontact.com/us/products/1200294>

Accessories

SF-ASD 16/CHARGER - Charger

1200296

<https://www.phoenixcontact.com/us/products/1200296>

Charger, for 100 ... 240 V mains voltage, recognition of battery and parameter check, rapid charging, short-circuit resistant, polarized, operating mode display



SF-ASD 16/ACCU 2,0 AH - Battery module

1314530

<https://www.phoenixcontact.com/us/products/1314530>

Replacement battery, 2.0 Ah, lithium-ion, 3.6 V, for SF-ASD 16 cordless screwdriver



SF-ASD 16 - Cordless screwdriver

1200294

<https://www.phoenixcontact.com/us/products/1200294>



SF-UBH - Adapter insert

1212590

<https://www.phoenixcontact.com/us/products/1212590>



Universal bit holder, E6.3-1/4" drive, with automatic locking, one-hand operation, magnetic, suitable for bits according to DIN 3126 C6.3 and E6.3

SF-BIT-HEX 2,5-50 - Screw insert

1212646

<https://www.phoenixcontact.com/us/products/1212646>



Screw bit, hexagon, E6.3-1/4" drive, size: Hex 2.5 x 50 mm, hardened, suitable for holder according to DIN 3126-F6.3/ISO 1173

SF-ASD 16 - Cordless screwdriver



1200294

<https://www.phoenixcontact.com/us/products/1200294>

SF-BIT-HEX 2,5-89 S - Screw insert

1200301

<https://www.phoenixcontact.com/us/products/1200301>



Screw bit, hexagon, E6.3-1/4" drive, size: Hex 2.5 x 89 mm, hardened, suitable for holder according to DIN 3126-F6.3/ISO 1173

SF-BIT-HEX 2-50 - Screw insert

1212645

<https://www.phoenixcontact.com/us/products/1212645>



Screw bit, hexagon, E6.3-1/4" drive, size: Hex 2 x 50 mm, hardened, suitable for holder according to DIN 3126-F6.3/ISO 1173

SF-ASD 16 - Cordless screwdriver



1200294

<https://www.phoenixcontact.com/us/products/1200294>

SF-BIT-HEX 2-89 S - Screw insert

1200300

<https://www.phoenixcontact.com/us/products/1200300>



Screw bit, hexagon, E6.3-1/4" drive, size: Hex 2 x 89 mm, hardened, suitable for holder according to DIN 3126-F6.3/ISO 1173

SF-BIT-HEX 3-50 - Screw insert

1212647

<https://www.phoenixcontact.com/us/products/1212647>



Screw bit, hexagon, E6.3-1/4" drive, size: Hex 3 x 50 mm, hardened, suitable for holder according to DIN 3126-F6.3/ISO 1173

SF-ASD 16 - Cordless screwdriver

1200294

<https://www.phoenixcontact.com/us/products/1200294>



SF-BIT-HEX 4-50 - Screw insert

1212648

<https://www.phoenixcontact.com/us/products/1212648>



Screw bit, hexagon, E6.3-1/4" drive, size: Hex 4 x 50 mm, hardened, suitable for holder according to DIN 3126-F6.3/ISO 1173

SF-BIT-HEX 4-89 S - Screw insert

1200302

<https://www.phoenixcontact.com/us/products/1200302>



Screw bit, hexagon, E6.3-1/4" drive, size: Hex 4 x 89 mm, hardened, suitable for holder according to DIN 3126-F6.3/ISO 1173

SF-ASD 16 - Cordless screwdriver



1200294

<https://www.phoenixcontact.com/us/products/1200294>

SF-BIT-HEX 5-50 - Screw insert

1212649

<https://www.phoenixcontact.com/us/products/1212649>



Screw bit, hexagon, E6.3-1/4" drive, size: Hex 5 x 50 mm, hardened, suitable for holder according to DIN 3126-F6.3/ISO 1173

SF-BIT-HEX 5-89 S - Screw insert

1200303

<https://www.phoenixcontact.com/us/products/1200303>



Screw bit, hexagon, E6.3-1/4" drive, size: Hex 5 x 89 mm, hardened, suitable for holder according to DIN 3126-F6.3/ISO 1173

SF-ASD 16 - Cordless screwdriver



1200294

<https://www.phoenixcontact.com/us/products/1200294>

SF-BIT-HEX 6-50 - Screw insert

1212650

<https://www.phoenixcontact.com/us/products/1212650>



Screw bit, hexagon, E6.3-1/4" drive, size: Hex 6 x 50 mm, hardened, suitable for holder according to DIN 3126-F6.3/ISO 1173

SF-BIT-HEX 8-50 - Screw insert

1212651

<https://www.phoenixcontact.com/us/products/1212651>



Screw bit, hexagon, E6.3-1/4" drive, size: Hex 8 x 50 mm, hardened, suitable for holder according to DIN 3126-F6.3/ISO 1173

SF-ASD 16 - Cordless screwdriver



1200294

<https://www.phoenixcontact.com/us/products/1200294>

SF-BIT-PH 1-50 - Screw insert

1212579

<https://www.phoenixcontact.com/us/products/1212579>



Screw bit, PH cross, E6.3-1/4" drive, Size: Ph 1 x 50 mm, hardened, suitable for holders as per DIN 3126-F 6.3 / ISO 1173

SF-BIT-PH 2-50 - Screw insert

1212580

<https://www.phoenixcontact.com/us/products/1212580>



Screw bit, PH cross, E6.3-1/4" drive, size: PH 2 x 50 mm, hardened, suitable for holders as per DIN 3126-F 6.3 / ISO 1173

SF-ASD 16 - Cordless screwdriver



1200294

<https://www.phoenixcontact.com/us/products/1200294>

SF-BIT-PH 3-50 - Screw insert

1212581

<https://www.phoenixcontact.com/us/products/1212581>



Screw bit, PH crosshead, E6.3-1/4" drive, size: PH 3 x 50 mm, hardened, suitable for holder according to DIN 3126-F6.3/ISO 1173

SF-BIT-PH 1-70 - Screw insert

1212582

<https://www.phoenixcontact.com/us/products/1212582>



Screw bit, PH crosshead, E6.3-1/4" drive, size: PH 1 x 70 mm, hardened, suitable for holder according to DIN 3126-F6.3/ISO 1173

SF-ASD 16 - Cordless screwdriver



1200294

<https://www.phoenixcontact.com/us/products/1200294>

SF-BIT-PH 2-70 - Screw insert

1212583

<https://www.phoenixcontact.com/us/products/1212583>



Screw bit, PH crosshead, E6.3-1/4" drive, size: PH 2 x 70 mm, suitable for holder according to DIN 3126-F6.3/ISO 1173

SF-BIT-PH 3-70 - Screw insert

1212584

<https://www.phoenixcontact.com/us/products/1212584>



Screw bit, PH crosshead, E6.3-1/4" drive, size: PH 3 x 70 mm, hardened, suitable for holder according to DIN 3126-F6.3/ISO 1173

SF-ASD 16 - Cordless screwdriver



1200294

<https://www.phoenixcontact.com/us/products/1200294>

SF-BIT-PHSL 1-70 - Screw insert

1212479

<https://www.phoenixcontact.com/us/products/1212479>



Screw bit, positive/negative PH/bladed, E6.3-1/4" drive, size: PH 1 x 70 mm, hardened, suitable for holder according to DIN 3126-F6.3/ISO 1173

SF-BIT-PHSL 2-70 - Screw insert

1212601

<https://www.phoenixcontact.com/us/products/1212601>



Screw bit, positive/negative PH/bladed, E6.3-1/4" drive, size: PH 2 x 70 mm, hardened, suitable for holder according to DIN 3126-F6.3/ISO 1174

SF-ASD 16 - Cordless screwdriver



1200294

<https://www.phoenixcontact.com/us/products/1200294>

SF-BIT-PZ 1-50 - Screw insert

1212591

<https://www.phoenixcontact.com/us/products/1212591>



Screw bit, PZ crosshead, E6.3-1/4" drive, size: PZ 1 x 50 mm, hardened, suitable for holder according to DIN 3126-F6.3/ISO 1173

SF-BIT-PZ 2-50 - Screw insert

1212592

<https://www.phoenixcontact.com/us/products/1212592>



Screw bit, PZ crosshead, E6.3-1/4" drive, size: PZ 2 x 50 mm, hardened, suitable for holder according to DIN 3126-F6.3/ISO 1173

SF-ASD 16 - Cordless screwdriver



1200294

<https://www.phoenixcontact.com/us/products/1200294>

SF-BIT-PZ 3-50 - Screw insert

1212593

<https://www.phoenixcontact.com/us/products/1212593>



Screw bit, PZ crosshead, E6.3-1/4" drive, size: PZ 3 x 50 mm, hardened, suitable for holder according to DIN 3126-F6.3/ISO 1173

SF-BIT-PZ 1-70 - Screw insert

1212594

<https://www.phoenixcontact.com/us/products/1212594>



Screw bit, PZ crosshead, E6.3-1/4" drive, size: PZ 1 x 70 mm, hardened, suitable for holder according to DIN 3126-F6.3/ISO 1173

SF-ASD 16 - Cordless screwdriver



1200294

<https://www.phoenixcontact.com/us/products/1200294>

SF-BIT-PZ 2-70 - Screw insert

1212595

<https://www.phoenixcontact.com/us/products/1212595>



Screw bit, PZ crosshead, E6.3-1/4" drive, size: PZ 2 x 70 mm, hardened, suitable for holder according to DIN 3126-F6.3/ISO 1173

SF-BIT-PZ 3-70 - Screw insert

1212596

<https://www.phoenixcontact.com/us/products/1212596>



Screw bit, PZ crosshead, E6.3-1/4" drive, size: PZ 3 x 70 mm, hardened, suitable for holder according to DIN 3126-F6.3/ISO 1173

SF-ASD 16 - Cordless screwdriver



1200294

<https://www.phoenixcontact.com/us/products/1200294>

SF-BIT-PZSL 1-70 - Screw insert

1212603

<https://www.phoenixcontact.com/us/products/1212603>



Screw bit, positive/negative PZ/bladed, E6.3-1/4" drive, size: PZ 1 x 70 mm, hardened, suitable for holder according to DIN 3126-F6.3/ISO 1173

SF-BIT-PZSL 2-70 - Screw insert

1212604

<https://www.phoenixcontact.com/us/products/1212604>



Screw bit, positive/negative PZ/bladed, E6.3-1/4" drive, size: PZ 2 x 70 mm, hardened, suitable for holder according to DIN 3126-F6.3/ISO 1173

SF-ASD 16 - Cordless screwdriver



1200294

<https://www.phoenixcontact.com/us/products/1200294>

SF-BIT-SL 0,45X2,4-70 - Screw insert

1212607

<https://www.phoenixcontact.com/us/products/1212607>



Screw bit, slotted, E6.3-1/4" drive, size: 0.45 x 2.4 x 70 mm, hardened, suitable for holder according to DIN 3126-F6.3/ISO 1173

SF-BIT-SL 0,5X3,0-50 - Screw insert

1212566

<https://www.phoenixcontact.com/us/products/1212566>



Screw bit, bladed, E6.3-1/4" drive, size: 0.5 x 3.0 x 50 mm, hardened, suitable for holder according to DIN 3126-F6.3/ISO 1173

SF-ASD 16 - Cordless screwdriver



1200294

<https://www.phoenixcontact.com/us/products/1200294>

SF-BIT-SL 0,5X3,0-70 - Screw insert

1212567

<https://www.phoenixcontact.com/us/products/1212567>



Screw bit, bladed, E6.3-1/4" drive, size: 0.5 x 3.0 x 70 mm, hardened, suitable for holder according to DIN 3126-F6.3/ISO 1173

SF-BIT-SL 0,6X3,5-50 - Screw insert

1212568

<https://www.phoenixcontact.com/us/products/1212568>



Screw bit, bladed, E6.3-1/4" drive, size: 0.6 x 3.5 x 50 mm, hardened, suitable for holder according to DIN 3126-F6.3/ISO 1173

SF-ASD 16 - Cordless screwdriver



1200294

<https://www.phoenixcontact.com/us/products/1200294>

SF-BIT-SL 0,6X3,5-70 - Screw insert

1212569

<https://www.phoenixcontact.com/us/products/1212569>



Screw bit, slot, E6.3-1/4" drive, Size: 0.6 x 3.5 x 70 mm, hardened, suitable for holders as per DIN 3126-F 6.3 / ISO 1173

SF-BIT-SL 0,8X4,0-50 - Screw insert

1212571

<https://www.phoenixcontact.com/us/products/1212571>



Screw bit, bladed, E6.3-1/4" drive, size: 0.8 x 4.0 x 50 mm, hardened, suitable for holder according to DIN 3126-F6.3/ISO 1173

SF-ASD 16 - Cordless screwdriver



1200294

<https://www.phoenixcontact.com/us/products/1200294>

SF-BIT-SL 0,8X4,0-70 - Screw insert

1212572

<https://www.phoenixcontact.com/us/products/1212572>



Screw bit, bladed, E6.3-1/4" drive, size: 0.8 x 4.0 x 70 mm, hardened, suitable for holder according to DIN 3126-F6.3/ISO 1173

SF-BIT-SL 1,0X5,5-50 - Screw insert

1212574

<https://www.phoenixcontact.com/us/products/1212574>



Screw bit, slot, E6.3-1/4" drive, Size: 1.0 x 5.5 x 50 mm, hardened, suitable for holders as per DIN 3126-F 6.3 / ISO 1173

SF-ASD 16 - Cordless screwdriver



1200294

<https://www.phoenixcontact.com/us/products/1200294>

SF-BIT-SL 1,0X4,0-70 - Screw insert

1212754

<https://www.phoenixcontact.com/us/products/1212754>



Screw bit, slotted, E6.3-1/4" drive, size: 1 mm x 4 mm x 70 mm, hardened, suitable for holder according to DIN 3126-F6.3/ISO 1173

SF-BIT-SL 1,0X5,5-70 - Screw insert

1212575

<https://www.phoenixcontact.com/us/products/1212575>



Screw bit, bladed, E6.3-1/4" drive, size: 1.0 x 5.5 x 70 mm, hardened, suitable for holder according to DIN 3126-F6.3/ISO 1173

SF-ASD 16 - Cordless screwdriver



1200294

<https://www.phoenixcontact.com/us/products/1200294>

SF-BIT-SL 1,2X6,5-70 - Screw insert

1212577

<https://www.phoenixcontact.com/us/products/1212577>



Screw bit, bladed, E6.3-1/4" drive, size: 1.2 x 6.5 x 70 mm, hardened, suitable for holder according to DIN 3126-F6.3/ISO 1173

SF-BIT-SLS 0,6X3,5-50 - Screw insert

1212605

<https://www.phoenixcontact.com/us/products/1212605>



Screw bit, bladed, graded, E6.3-1/4" drive, for test socket screws, size: 0.6 x 3.5 x 50 mm, hardened, suitable for holder according to DIN 3126-F6.3/ISO 1173

SF-ASD 16 - Cordless screwdriver



1200294

<https://www.phoenixcontact.com/us/products/1200294>

SF-BIT-SLS 0,9X6,5-50 - Screw insert

1212606

<https://www.phoenixcontact.com/us/products/1212606>



Screw bit, bladed, graded, E6.3-1/4" drive, for test socket screws, size: 0.9 x 6.5 x 50 mm, hardened, suitable for holder according to DIN 3126-F6.3/ISO 1173

SF-BIT-TX 10-50 - Screw insert

1212573

<https://www.phoenixcontact.com/us/products/1212573>



Screw bit, Torx[®], E6.3-1/4" drive, size: TX 10 x 50 mm, hardened, suitable for holder according to DIN 3126-F6.3/ISO 1173

SF-ASD 16 - Cordless screwdriver



1200294

<https://www.phoenixcontact.com/us/products/1200294>

SF-BIT-TX 15-50 - Screw insert

1212576

<https://www.phoenixcontact.com/us/products/1212576>



Screw bit, Torx[®], E6.3-1/4" drive, size: TX 15 x 50 mm, hardened, suitable for holder according to DIN 3126-F6.3/ISO 1173

SF-BIT-TX 20-50 - Screw insert

1212578

<https://www.phoenixcontact.com/us/products/1212578>



Screw bit, Torx[®], E6.3-1/4" drive, size: TX 20 x 50 mm, hardened, suitable for holder according to DIN 3126-F6.3/ISO 1173

SF-ASD 16 - Cordless screwdriver



1200294

<https://www.phoenixcontact.com/us/products/1200294>

SF-BIT-TX 25-50 - Screw insert

1212585

<https://www.phoenixcontact.com/us/products/1212585>



Screw bit, Torx[®], E6.3-1/4" drive, size: TX 25 x 50 mm, hardened, suitable for holder according to DIN 3126-F6.3/ISO 1173

SF-BIT-TX 30-50 - Screw insert

1212586

<https://www.phoenixcontact.com/us/products/1212586>



Screw bit, Torx[®], E6.3-1/4" drive, size: TX 30 x 50 mm, hardened, suitable for holder according to DIN 3126-F6.3/ISO 1173

SF-ASD 16 - Cordless screwdriver



1200294

<https://www.phoenixcontact.com/us/products/1200294>

SF-BIT-TX 40-50 - Screw insert

1200161

<https://www.phoenixcontact.com/us/products/1200161>



Screw bit, Torx[®], E6.3-1/4" drive, size: TX 40 x 50 mm, hardened, suitable for holder according to DIN 3126-F6.3/ISO 1173

SF-BIT-TX 8-50 - Screw insert

1212570

<https://www.phoenixcontact.com/us/products/1212570>



Screw bit, Torx[®], E6.3-1/4" drive, size: TX 8 x 50 mm, hardened, suitable for holder according to DIN 3126-F6.3/ISO 1173

SF-ASD 16 - Cordless screwdriver



1200294

<https://www.phoenixcontact.com/us/products/1200294>

SF-BIT-HEXB 5-89 - Screw insert

1208911

<https://www.phoenixcontact.com/us/products/1208911>



Screw bit, hexagonal with ball head, E6.3-1/4" drive, size: Hex 5 x 89 mm, hardened, suitable for holder according to DIN 3126-F 6.3/ISO 1173

Phoenix Contact 2023 © - all rights reserved

<https://www.phoenixcontact.com>

Phoenix Contact USA
586 Fulling Mill Road
Middletown, PA 17057, United States
(+717) 944-1300
info@phoenixcon.com