

MACX-TR-2T-MUL-PT - Timer relay



1103355

<https://www.phoenixcontact.com/us/products/1103355>

Please be informed that the data shown in this PDF document is generated from our online catalog. Please find the complete data in the user documentation. Our general terms of use for downloads are valid.



Multifunctional time relay, 24 V AC/DC ... 240 V AC/DC wide-range supply, with 14 functions, time range adjustable (10 ms ... 999 h:59 min), two configuration possibilities, password protection, supporting dry contacts, PNP and NPN proximity switch inputs, 2 PDTs, push-in connection

Commercial data

Item number	1103355
Packing unit	1 pc
Minimum order quantity	1 pc
Sales key	C443
Product key	CK4811
GTIN	4055626966212
Weight per piece (including packing)	184 g
Weight per piece (excluding packing)	184 g
Customs tariff number	85364190
Country of origin	CN

MACX-TR-2T-MUL-PT - Timer relay



1103355

<https://www.phoenixcontact.com/us/products/1103355>

Technical data

Product properties

Product type	Timer relay
Mechanical service life	Approx. 3×10^7 cycles

Insulation characteristics

Insulation	Basic insulation
------------	------------------

Insulation characteristics

Insulation	Basic insulation
Overvoltage category	III
Pollution degree	3

Electrical properties

Service life electrical	approx. 1×10^5 cycles, resistive load 2000 V A
Nominal frequency	48 Hz ... 63 Hz
Nominal power consumption	2.5 VA (0.8 W)
Rated insulation voltage	300 V AC
Dielectric strength	2 kV ((2 mA, 60 s) (IEC 60947-5-1))

Input data

Nominal power consumption	2.5 VA (0.8 W)
Input voltage range	24 V AC/DC ... 240 V AC/DC (-15 % ... +10 %)
Temperature coefficient, typical	$\leq 0.01 \text{ \%}/^{\circ}\text{C}$
Recovery time	100 ms
Setting range time	10 ms ... 59999 min. (10 ms ... 999 h 59 min.)
Setting accuracy	$\leq 0.5 \text{ \%}$ (> 1 s)
Repeat accuracy	$\leq 0.05 \text{ \%}$ (> 1 s)

Control

Connection name	Non-floating, terminals A1-B1
Control pulse length	50 ms

Output data

Switching

Contact switching type	2 floating changeover contacts
Contact material	AgSnO ₂
Maximum switching voltage	400 V AC
Interrupting rating (ohmic load) max.	2000 VA (8 A / 250 V AC)
Output fuse	8 A (fast-blow)

Connection data

Connection method	Push-in connection
Stripping length	10 mm

MACX-TR-2T-MUL-PT - Timer relay



1103355

<https://www.phoenixcontact.com/us/products/1103355>

Conductor cross section rigid	0.2 mm ² ... 2.5 mm ²
Conductor cross section flexible	0.2 mm ² ... 2.5 mm ²
Conductor cross section AWG	24 ... 14

Dimensions

Width	22.5 mm
Height	109 mm
Depth	114 mm

Material specifications

Flammability rating according to UL 94	V0
Housing insulation material	PBT

Environmental and real-life conditions

Ambient conditions

Degree of protection	IP20
Ambient temperature (operation)	-25 °C ... 60 °C
Ambient temperature (storage/transport)	-40 °C ... 85 °C
Altitude	≤ 2000 m
Permissible humidity (operation)	10 % ... 95 % (non-condensing)

Approvals

CE

Identification	CE-compliant
----------------	--------------

UL, USA/Canada

Identification	UL/C-UL Listed UL 508
----------------	-----------------------

CCC

Identification	GB/T 14048.5
----------------	--------------

EMC data

Low Voltage Directive	Conformance with Low Voltage Directive
Noise immunity	EN 61000-6-2
Electromagnetic compatibility	Conformance with EMC directive
Noise emission	EN 61000-6-4

Standards and regulations

Standards/regulations	IEC 60947-5-1
	IEC 61812-1

Mounting

Mounting type	DIN rail mounting
Assembly instructions	on standard DIN rail NS 35 in accordance with EN 60715
Mounting position	any

MACX-TR-2T-MUL-PT - Timer relay

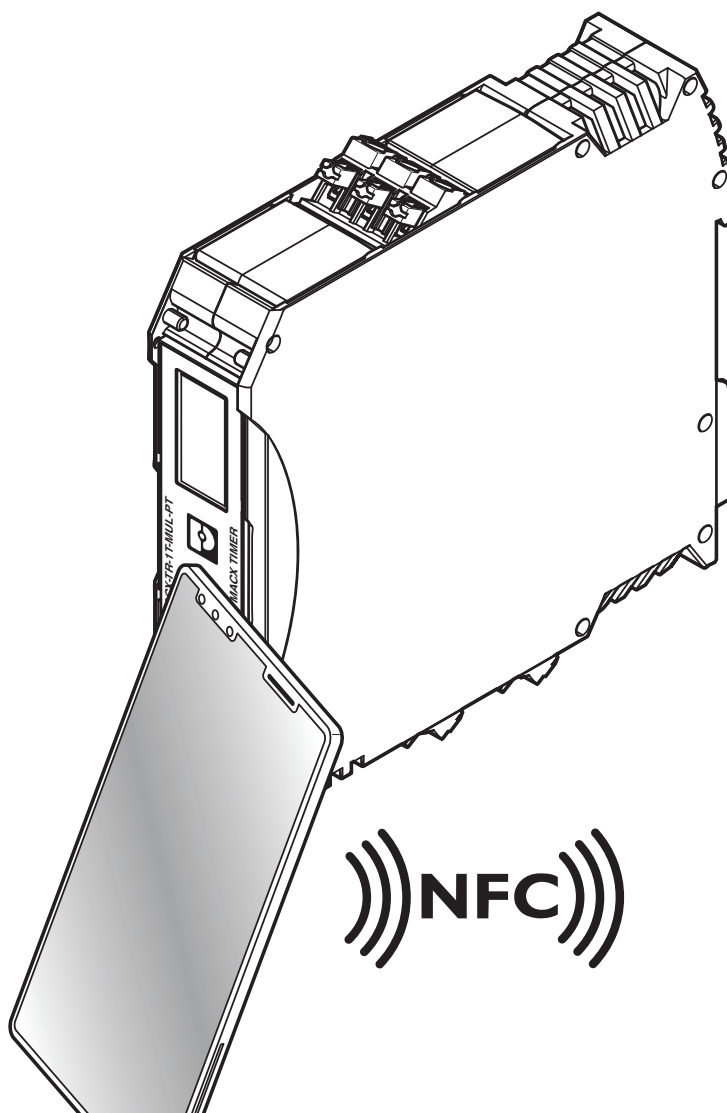
1103355

<https://www.phoenixcontact.com/us/products/1103355>



Drawings

Schematic diagram



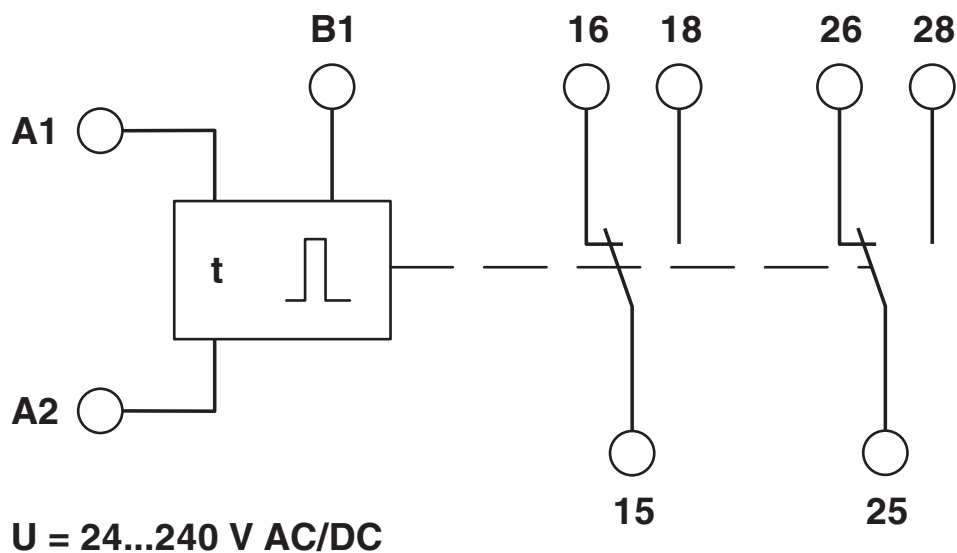
MACX-TR-2T-MUL-PT - Timer relay



1103355

<https://www.phoenixcontact.com/us/products/1103355>

Block diagram



MACX-TR-2T-MUL-PT - Timer relay



1103355

<https://www.phoenixcontact.com/us/products/1103355>

Approvals

To download certificates, visit the product detail page: <https://www.phoenixcontact.com/us/products/1103355>



UL Listed

Approval ID: FILE E 172140



cUL Listed

Approval ID: FILE E 172140

cULus Listed

MACX-TR-2T-MUL-PT - Timer relay



1103355

<https://www.phoenixcontact.com/us/products/1103355>

Classifications

ECLASS

ECLASS-11.0	27371605
ECLASS-12.0	27371605
ECLASS-13.0	27371605

ETIM

ETIM 9.0	EC001439
----------	----------

UNSPSC

UNSPSC 21.0	39122300
-------------	----------

MACX-TR-2T-MUL-PT - Timer relay



1103355

<https://www.phoenixcontact.com/us/products/1103355>

Environmental product compliance

REACH SVHC	Lead 7439-92-1
China RoHS	Environmentally Friendly Use Period = 50 years
	For information on hazardous substances, refer to the manufacturer's declaration available under "Downloads"

Phoenix Contact 2023 © - all rights reserved
<https://www.phoenixcontact.com>

Phoenix Contact USA
586 Fulling Mill Road
Middletown, PA 17057, United States
(+717) 944-1300
info@phoenixcon.com