

TCP 10/20A - Thermal device circuit breaker



1324401

<https://www.phoenixcontact.com/us/products/1324401>

Please be informed that the data shown in this PDF document is generated from our online catalog. Please find the complete data in the user documentation. Our general terms of use for downloads are valid.

Thermal miniature circuit breaker, can be plugged into PT 10-FSI/C Push-in fuse terminal block.



Your advantages

- Fast, replacement part-free recommissioning after an event with the reconnection options
- Easy to retrofit in existing systems with vehicle flat-type fuses with identical pin connector pattern
- System disconnection for maintenance actions via the integrated device switch

Commercial data

Item number	1324401
Packing unit	1 pc
Minimum order quantity	18 pc
Sales key	CL15
Product key	CLA111
GTIN	4063151614812
Weight per piece (including packing)	13.211 g
Weight per piece (excluding packing)	13.211 g
Customs tariff number	85362010
Country of origin	ID

TCP 10/20A - Thermal device circuit breaker



1324401

<https://www.phoenixcontact.com/us/products/1324401>

Technical data

Product properties

Type	Male
Product type	Thermal device circuit breakers
Number of positions	1

Insulation characteristics

Overvoltage category	II (Installation area)
	III (Actuation area)
Degree of pollution	2

Electrical properties

Fuse type	Automatic device
Fuse	Slow-blow

General

Rated voltage	250 V AC
	72 V DC
	250 V AC (UL/CSA)
	72 V DC (UL/CSA)
Rated current I_N	20 A
Rated surge voltage	2.5 kV
Insulation resistance R_{iso}	> 100 M Ω (500 V DC)
Tripping method	T (thermal)
Device resistance	0 Ω
Rated short-circuit switching capacity I_{cn}	200 A (250 V AC)
	200 A (72 V DC)
Short-circuit switching capacity	2000 A (250 V AC / UL 1077)
	2000 A (72 V DC / UL 1077)
Dielectric strength	3000 V AC (Actuation area)
	1500 V AC (Installation area)
Switching cycles, max.	6000 (At 1 x I_n , low-induction)
	3000 (At 1 x I_n , inductive)
	40 (at 6 x I_n , AC)

Connection data

Connection method	pluggable
-------------------	-----------

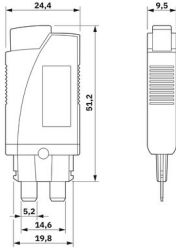
Dimensions

TCP 10/20A - Thermal device circuit breaker



1324401

<https://www.phoenixcontact.com/us/products/1324401>

Dimensional drawing	
Width	9.5 mm
Height	24.4 mm
Height NS 35/7,5	55 mm
Depth	44.5 mm

Material specifications

Flammability rating according to UL 94	V-0
Insulating material group	IIIb
Insulating material	PPS

Mechanical properties

Mechanical data

Open side panel	No
-----------------	----

Environmental and real-life conditions

Ambient conditions

Degree of protection	IP40 (Actuation area) IP00 (Connection area)
Ambient temperature (operation)	-20 °C ... 60 °C
Ambient temperature (storage/transport)	-40 °C ... 80 °C
Altitude	≤ 4000 m (amsl)
Humidity test	240 h, 95 % RH, 40 °C
Shock (operation)	25g (11 ms period, half-sine shock pulse, according to IEC 60068-2-27)
Vibration (operation)	± 0.38 mm (10 ... 57 Hz) 5g (57 ... 500 Hz)

Standards and regulations

Standards/specifications	EN 60934
--------------------------	----------

Mounting

Mounting type	on base element
---------------	-----------------

TCP 10/20A - Thermal device circuit breaker

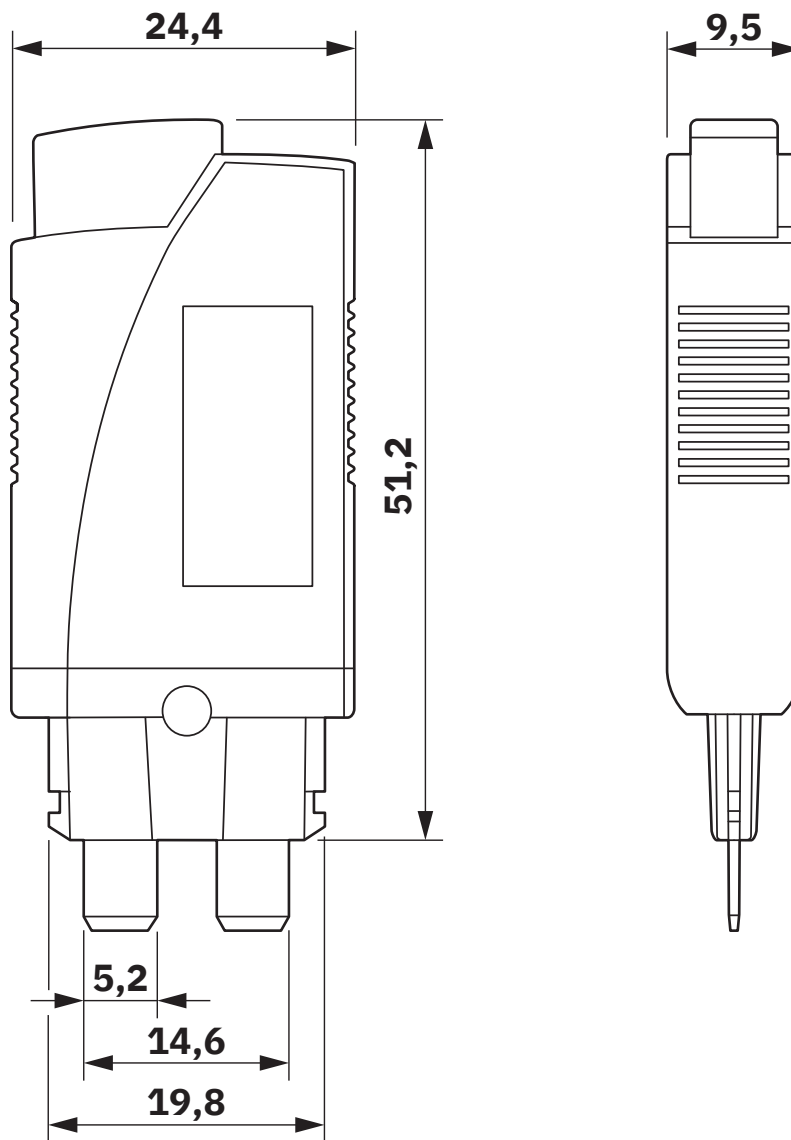
1324401

<https://www.phoenixcontact.com/us/products/1324401>



Drawings

Dimensional drawing

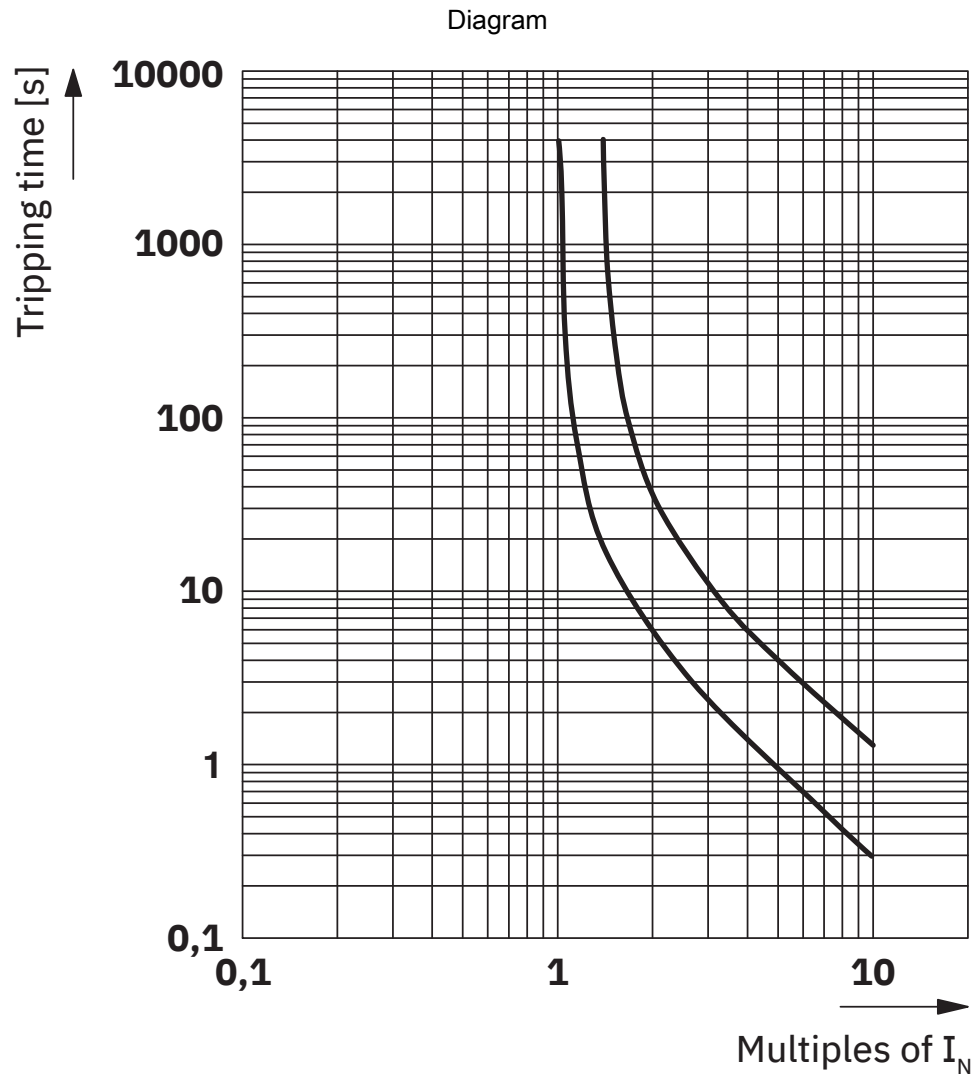


TCP 10/20A - Thermal device circuit breaker



1324401

<https://www.phoenixcontact.com/us/products/1324401>



Trigger characteristic

TCP 10/20A - Thermal device circuit breaker



1324401

<https://www.phoenixcontact.com/us/products/1324401>

Approvals

To download certificates, visit the product detail page: <https://www.phoenixcontact.com/us/products/1324401>



cUL Recognized
Approval ID: FILE E 140459



UL Recognized
Approval ID: FILE E 140459



VDE Zeichengenehmigung
Approval ID: 40054613



CSA
Approval ID: 80136839



CCC
Approval ID: 2022960307011952

cULus Recognized

TCP 10/20A - Thermal device circuit breaker



1324401

<https://www.phoenixcontact.com/us/products/1324401>

Classifications

ECLASS

ECLASS-11.0	27141116
ECLASS-12.0	27141116
ECLASS-13.0	27140401

ETIM

ETIM 9.0	EC000899
----------	----------

UNSPSC

UNSPSC 21.0	39121400
-------------	----------

TCP 10/20A - Thermal device circuit breaker

1324401

<https://www.phoenixcontact.com/us/products/1324401>

Mandatory accessories

PT 10-FSI/C - Fuse modular terminal block

1088498

<https://www.phoenixcontact.com/us/products/1088498>



Fuse modular terminal block, fuse type: Flat, fuse type: C, nom. voltage: 400 V, nominal current: 25 A, connection method: Push-in connection, Rated cross section: 10 mm², cross section: 0.5 mm²- 16 mm², mounting type: NS 35/7,5, NS 35/15, color: black

PT 10-FSI/C-LED 24 - Fuse modular terminal block

1088500

<https://www.phoenixcontact.com/us/products/1088500>



Fuse modular terminal block, fuse type: Flat, fuse type: C, nom. voltage: 24 V, nominal current: 25 A, connection method: Push-in connection, Rated cross section: 10 mm², cross section: 0.5 mm²- 16 mm², mounting type: NS 35/7,5, NS 35/15, color: black

TCP 10/20A - Thermal device circuit breaker



1324401

<https://www.phoenixcontact.com/us/products/1324401>

PT 10-FSI/C-LED 48 - Fuse modular terminal block

1088501

<https://www.phoenixcontact.com/us/products/1088501>



Fuse modular terminal block, fuse type: Flat, fuse type: C, nom. voltage: 48 V, nominal current: 25 A, connection method: Push-in connection, Rated cross section: 10 mm², cross section: 0.5 mm²- 16 mm², mounting type: NS 35/7,5, NS 35/15, color: black

Accessories

ZBFM 5/WH:UNBEDRUCKT - Flat zack marker sheet

0803595

<https://www.phoenixcontact.com/us/products/0803595>



Flat zack marker sheet, Sheet, white, unlabeled, can be labeled with: CMS-P1-PLOTTER, PLOTMARK, mounting type: snapped, for terminal block width: 5.2 mm, lettering field size: 5 x 4.5 mm, Number of individual labels: 120

TCP 10/20A - Thermal device circuit breaker



1324401

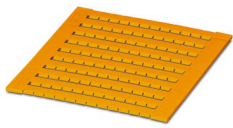
<https://www.phoenixcontact.com/us/products/1324401>

ZBFM 5/OG:UNBEDRUCKT - Flat zack marker sheet

0807180

<https://www.phoenixcontact.com/us/products/0807180>

Flat zack marker sheet, Sheet, orange, unlabeled, can be labeled with: CMS-P1-PLOTTER, PLOTMARK, mounting type: snapped, for terminal block width: 5.2 mm, lettering field size: 5 x 4.5 mm, Number of individual labels: 120



Phoenix Contact 2023 © - all rights reserved

<https://www.phoenixcontact.com>

Phoenix Contact USA
586 Fulling Mill Road
Middletown, PA 17057, United States
(+717) 944-1300
info@phoenixcon.com