

E PX A 75X80X56 - Empty enclosure



0899300

<https://www.phoenixcontact.com/us/products/0899300>

Please be informed that the data shown in this PDF document is generated from our online catalog. Please find the complete data in the user documentation. Our general terms of use for downloads are valid.



Empty enclosure, material: Glass-fiber-reinforced polyester with added graphite, black, 75 mm x 80 mm x 56 mm, type of locking: Screw-on cover

Commercial data

Item number	0899300
Packing unit	1 pc
Minimum order quantity	1 pc
Note	Made to order (non-returnable)
Sales key	NULL
Product key	BH9142
Catalog page	Page 638 (C-3-2019)
GTIN	4055626275598
Weight per piece (including packing)	288 g
Weight per piece (excluding packing)	99.99 g
Customs tariff number	85389099
Country of origin	IN

E PX A 75X80X56 - Empty enclosure

0899300

<https://www.phoenixcontact.com/us/products/0899300>

Technical data

Notes

General	Prepared for direct installation of a DIN rail
---------	--

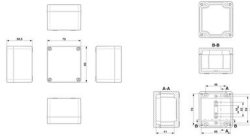
Product properties

Type	Ex empty enclosure with cover
Product type	Terminal box

Insulation characteristics

Protection class	II
------------------	----

Dimensions

Dimensional drawing	
Width	75 mm
Height	80 mm
Depth	56 mm
Clearance width, maximum DIN rail length	63 mm
max. assembly length	49 mm

Material specifications

Color	black
Material	Glass-fiber-reinforced polyester with added graphite
Flammability rating according to UL 94	V0
Seal material	Silicon
Components	halogen-free

Mechanical properties

General

Type of locking (GRP)	Screw-on cover Plus/minus screw
-----------------------	---------------------------------

Environmental and real-life conditions

Ambient conditions

Ambient temperature (operation)	-55 °C ... 127 °C
---------------------------------	-------------------

Mounting

Assembly instructions	External fixing clips available as an option Integrated blind hole
Direct DIN rail mounting	yes

E PX A 75X80X56 - Empty enclosure



0899300

<https://www.phoenixcontact.com/us/products/0899300>

Useable DIN rail type	NS 15
-----------------------	-------

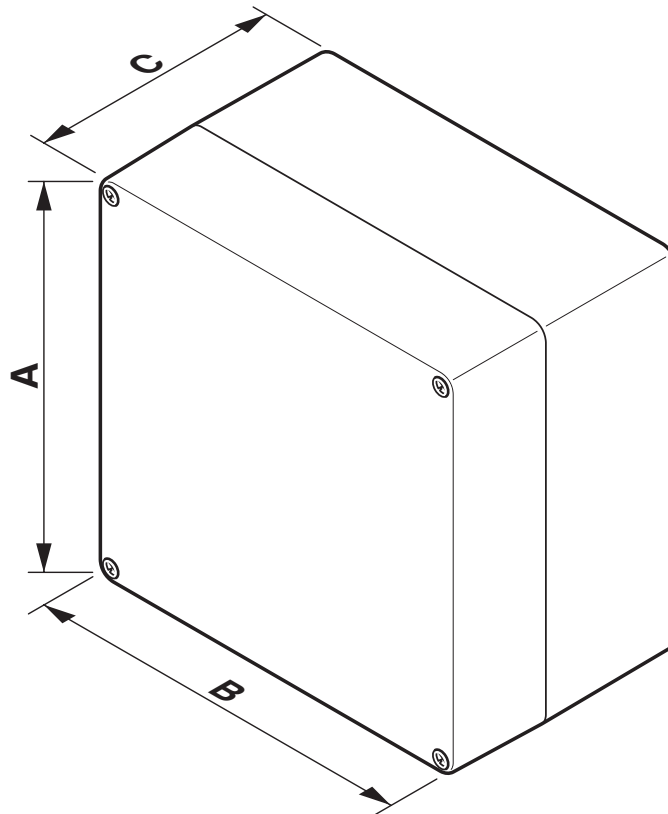
E PX A 75X80X56 - Empty enclosure

0899300

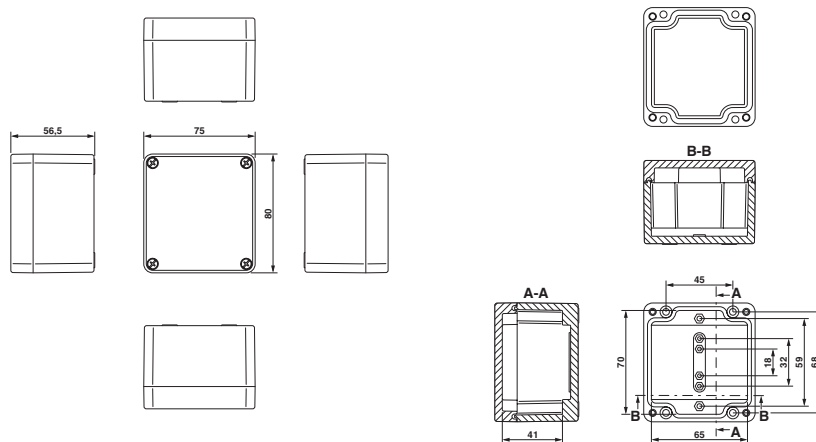
<https://www.phoenixcontact.com/us/products/0899300>

Drawings

Schematic diagram



Dimensional drawing



E PX A 75X80X56 - Empty enclosure



0899300

<https://www.phoenixcontact.com/us/products/0899300>

Classifications

ECLASS

ECLASS-11.0	27180101
ECLASS-12.0	27180101
ECLASS-13.0	27180101

ETIM

ETIM 9.0	EC000261
----------	----------

UNSPSC

UNSPSC 21.0	31261500
-------------	----------

E PX A 75X80X56 - Empty enclosure



0899300

<https://www.phoenixcontact.com/us/products/0899300>

Environmental product compliance

China RoHS	Environmentally friendly use period: unlimited = EFUP-e
	No hazardous substances above threshold values

E PX A 75X80X56 - Empty enclosure



0899300

<https://www.phoenixcontact.com/us/products/0899300>

Mandatory accessories

NS 15 UNP AE EP 75X80 - DIN rail, unperforated

3002624

<https://www.phoenixcontact.com/us/products/3002624>



DIN rail, unperforated, Suitable for PxC polyester terminal boxes, material: Steel, galvanized, passivated with a thick layer, color: silver

Accessories

AE EMB EP 1 - Fixing bracket

0899519

<https://www.phoenixcontact.com/us/products/0899519>



Fixing bracket, For polyester enclosure, color: silver

E PX A 75X80X56 - Empty enclosure

0899300

<https://www.phoenixcontact.com/us/products/0899300>



AE MP SH EP 75X80 - Mounting panel

0899429

<https://www.phoenixcontact.com/us/products/0899429>



Mounting panel, width: 64 mm, height: 69 mm, color: silver

SF-BIT-PHSL 2-70 - Screw insert

1212601

<https://www.phoenixcontact.com/us/products/1212601>



Screw bit, positive/negative PH/bladed, E6.3-1/4" drive, size: PH 2 x 70 mm, hardened, suitable for holder according to DIN 3126-F6.3/ISO 1174

E PX A 75X80X56 - Empty enclosure

0899300

<https://www.phoenixcontact.com/us/products/0899300>



TSD-M 6NM - Torque screwdriver

1212226

<https://www.phoenixcontact.com/us/products/1212226>



Torque screw driver, accuracy as per EN ISO 6789 standard, adjustable from 3 - 6 Nm

Phoenix Contact 2023 © - all rights reserved

<https://www.phoenixcontact.com>

Phoenix Contact USA
586 Fulling Mill Road
Middletown, PA 17057, United States
(+717) 944-1300
info@phoenixcon.com