

MACX MCR-EX-TS-I-OLP - Temperature measuring transducer



2908660

<https://www.phoenixcontact.com/us/products/2908660>

Please be informed that the data shown in this PDF document is generated from our online catalog. Please find the complete data in the user documentation. Our general terms of use for downloads are valid.



Ex i-Output loop-powered temperature transducer for transmitting up to 2 sensor signals from RTD and TC sensors, as well as from resistance and voltage sensors via 4 mA ... 20 mA. HART, Standard configuration, Safety Integrity Level (SIL, IEC 61508): 2, Systematic Capability: 3, Screw connection

Commercial data

Item number	2908660
Packing unit	1 pc
Minimum order quantity	1 pc
Note	Made to order (non-returnable)
Sales key	C430
Product key	CK3322
Catalog page	Page 190 (C-5-2019)
GTIN	4055626355429
Weight per piece (including packing)	208 g
Weight per piece (excluding packing)	208 g
Customs tariff number	85437090
Country of origin	DE

MACX MCR-EX-TS-I-OLP - Temperature measuring transducer



2908660

<https://www.phoenixcontact.com/us/products/2908660>

Technical data

Product properties

Product type	Temperature transmitter
Product family	MACX Analog
No. of channels	2
Type	Ex i signal conditioners with SIL functional safety
Configuration	Software
	HART

Insulation characteristics

Overvoltage category	II
Pollution degree	2

Electrical properties

No. of channels	2
Step response (0–99%)	0.8 s (TC)

Electrical isolation Input/output

Test voltage	2 kV AC (50 Hz, 60 s)
--------------	-----------------------

Supply

Supply voltage range	loop-powered, no external supply necessary
	12 V DC ... 42 V DC (Standard)
	12 V DC ... 32 V DC (SIL active)
	12 V DC ... 30 V DC (Ex)

Input data

Signal

Input signal	Temperature
--------------	-------------

Measurement

Number of inputs	2
Input voltage range	-20 mV ... 100 mV (Minimum measuring span: 5 mV)
Sensor types (RTD) that can be used	Pt, Ni, Cu sensors: 2, 3, 4-wire
Sensor types that can be used (TC)	A, B, C, D, E, J, K, L, N, R, S, T, U
Temperature measuring range	-250 °C ... 2500 °C (Range depending on the sensor type)
	-200 °C ... 850 °C (Pt 100)
Temperature measuring range	> 10 K (RTD)
	> 50 K (TC)
Linear resistance measuring range	10 Ω ... 2000 Ω (Minimum measuring span: 10 Ω)

Output data

MACX MCR-EX-TS-I-OLP - Temperature measuring transducer



2908660

<https://www.phoenixcontact.com/us/products/2908660>

Signal: Current

Configurable/programmable	no
Current output signal	4 mA ... 20 mA
	20 mA ... 4 mA
Max. current output signal	23 mA
Load	$(U_L - 11 \text{ V}) / 0,023 \text{ A}$
HART coding	FSK $\pm 0.5 \text{ mA}$
HART version	7
Transmission speed	1200 Baud
Mains frequency filter	50/60 Hz
Communication resistance	$\geq 250 \Omega$
Switch-on delay	$\approx \text{⌋} \downarrow \text{s (HART)}$
	$\approx \text{⌋} \uparrow \text{s (Measured value)}$

Connection data

Connection method	Screw connection
Stripping length	7 mm
Screw thread	M3
Conductor cross section rigid	0.2 mm ² ... 2.5 mm ²
Conductor cross section flexible	0.2 mm ² ... 2.5 mm ²
Conductor cross section AWG	24 ... 14
Tightening torque	0.5 Nm ... 0.6 Nm

Test socket

Max. diameter	2 mm
---------------	------

Ex data

Ex installation (EPL)	Gb
	Div. 1

Interfaces

Data communication (bypass)

Protocols supported	HART
---------------------	------

Signaling

Status display	LED red
----------------	---------

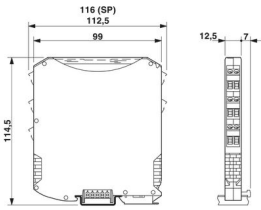
Dimensions

MACX MCR-EX-TS-I-OLP - Temperature measuring transducer



2908660

<https://www.phoenixcontact.com/us/products/2908660>

Dimensional drawing	
Width	12.5 mm
Height	112.5 mm
Depth	113.7 mm
Depth NS 35/7,5	114.5 mm (Snapped onto DIN rail NS 35/7,5 in accordance with EN 60715)

Environmental and real-life conditions

Ambient conditions

Degree of protection	IP20 (not assessed by UL)
Ambient temperature (operation)	-40 °C ... 85 °C -40 °C ... 70 °C (SIL active)
Ambient temperature (storage/transport)	-40 °C ... 100 °C
Altitude	≤ 4000 m (Above sea level)
Climatic class	B2
Permissible humidity (operation)	5 % ... 95 % (non-condensing)

Approvals

CE

Certificate	CE-compliant
-------------	--------------

ATEX

Identification	⊕ II 2 (1) G Ex ib [ia Ga] IIC T6...T4 Gb
Certificate	EPS 17 ATEX 1 130 X

IECEX

Identification	Ex ib [ia Ga] IIC T6...T4 Gb
Certificate	IECEX EPS 17.0076X

UKCA Ex (UKEX)

Certificate	CML 21UKEX2997X
-------------	-----------------

UL, USA/Canada

Identification	UL 61010 Recognized
----------------	---------------------

FM

Identification	Exia / Class I / Div. 1, 2 / Group ABCD NI, Class I, Div. 2, Groups A, B, C, D
----------------	---

MACX MCR-EX-TS-I-OLP - Temperature measuring transducer



2908660

<https://www.phoenixcontact.com/us/products/2908660>

CSA

Identification	AIS / Class I / Div. 1 / ABCD
	NI / Class I / Div. 2 / ABCD T6/T5/T4

Shipbuilding approval

Certificate	DNV GL TAA00002GX
-------------	-------------------

Safety Integrity Level (SIL, IEC 61508)

Identification	2
----------------	---

Systematic Capability

Identification	3
----------------	---

DNV GL data

Temperature	D
Humidity	B
Vibration	A
EMC	B
Enclosure	A

Mounting

Mounting type	DIN rail mounting
---------------	-------------------

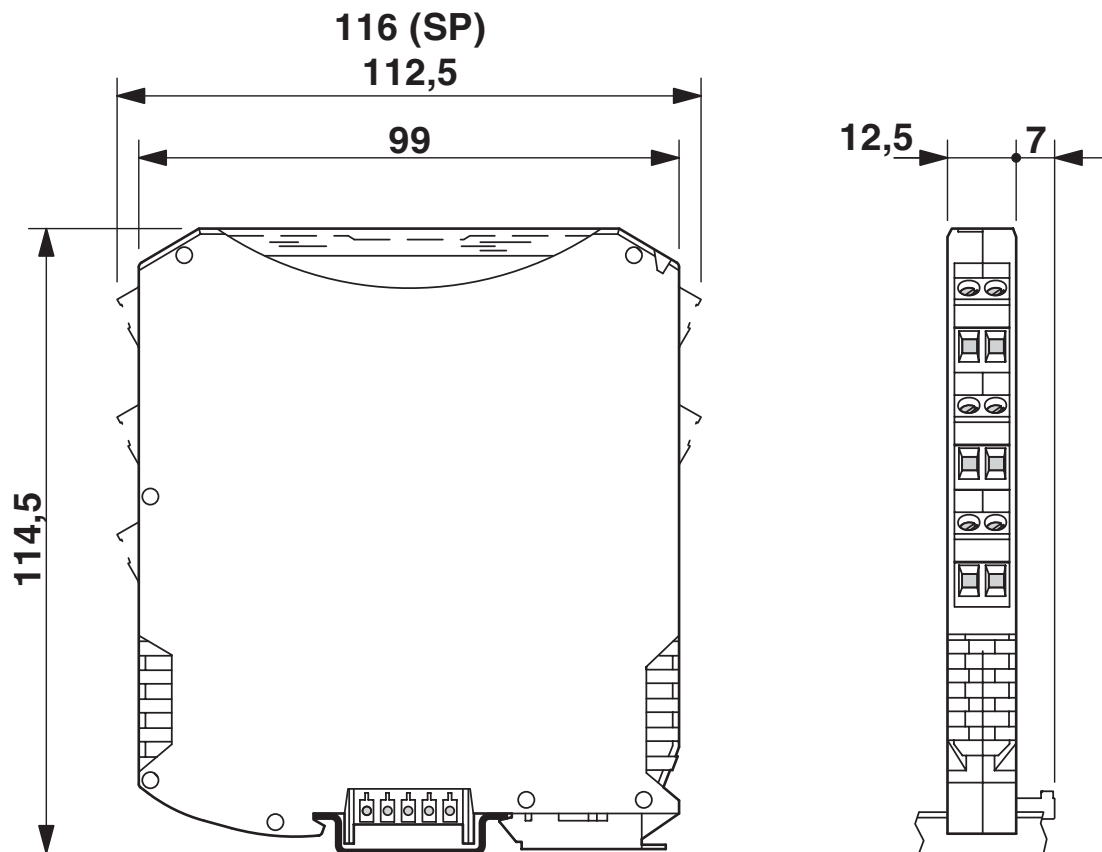
MACX MCR-EX-TS-I-OLP - Temperature measuring transducer

2908660

<https://www.phoenixcontact.com/us/products/2908660>

Drawings

Dimensional drawing



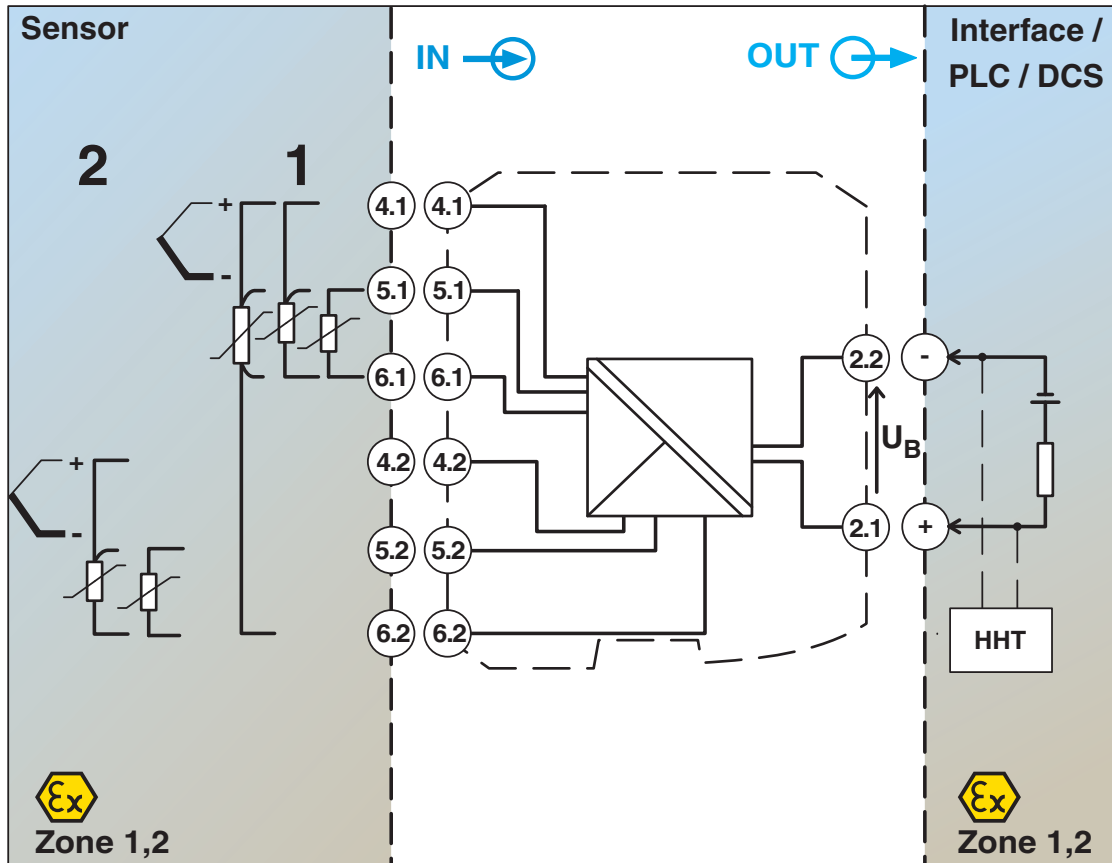
MACX MCR-EX-TS-I-OLP - Temperature measuring transducer



2908660

<https://www.phoenixcontact.com/us/products/2908660>

Block diagram



MACX MCR-EX-TS-I-OLP - Temperature measuring transducer



2908660

<https://www.phoenixcontact.com/us/products/2908660>

Approvals

To download certificates, visit the product detail page: <https://www.phoenixcontact.com/us/products/2908660>



cUL Recognized
Approval ID: FILE E 198586



UL Recognized
Approval ID: FILE E 198586



DNV GL
Approval ID: TAA00002GX



Functional Safety
Approval ID: Z10 029429 0021



IECEx
Approval ID: IECEx EPS 17.0076X



CSA
Approval ID: 70107976



ATEX
Approval ID: EPS 17 ATEX 1 130 X



FM approved
Approval ID: FM17US0110X

cULus Recognized

MACX MCR-EX-TS-I-OLP - Temperature measuring transducer



2908660

<https://www.phoenixcontact.com/us/products/2908660>

Classifications

ECLASS

ECLASS-11.0	27210129
ECLASS-12.0	27210129
ECLASS-13.0	27210129

ETIM

ETIM 8.0	EC002919
----------	----------

UNSPSC

UNSPSC 21.0	41112100
-------------	----------

MACX MCR-EX-TS-I-OLP - Temperature measuring transducer



2908660

<https://www.phoenixcontact.com/us/products/2908660>

Environmental product compliance

China RoHS	Environmentally friendly use period: unlimited = EFUP-e
	No hazardous substances above threshold values

MACX MCR-EX-TS-I-OLP - Temperature measuring transducer



2908660

<https://www.phoenixcontact.com/us/products/2908660>

Accessories

MCR-PAC-T-USB - Programming adapter

2309000

<https://www.phoenixcontact.com/us/products/2309000>

Programming adapter with USB and T port interface, 2.4 m for programming FA MCR-..., MCR-...-LP-..., and MCR-...-HT-... modules



GW HART USB MODEM - Cable adapter

1003824

<https://www.phoenixcontact.com/us/products/1003824>

USB HART modem cable for communication between a PC and HART devices, cable length: 1m.



MACX MCR-EX-TS-I-OLP - Temperature measuring transducer



2908660

<https://www.phoenixcontact.com/us/products/2908660>

EA-MSTB 2,5/ 5 - Accessories

1831016

<https://www.phoenixcontact.com/us/products/1831016>

Cover for screw shafts of the MSTB connector ranges with a pitch of 5.0 mm and 5.08 mm. These can be aligned and shortened for use with different numbers of positions.



MPS-IH WH - Insulating sleeve

0201663

<https://www.phoenixcontact.com/us/products/0201663>

Insulating sleeve, color: white



MACX MCR-EX-TS-I-OLP - Temperature measuring transducer



2908660

<https://www.phoenixcontact.com/us/products/2908660>

MPS-IH RD - Insulating sleeve

0201676

<https://www.phoenixcontact.com/us/products/0201676>

Insulating sleeve, color: red

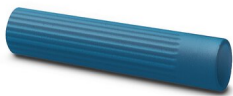


MPS-IH BU - Insulating sleeve

0201689

<https://www.phoenixcontact.com/us/products/0201689>

Insulating sleeve, color: blue



MACX MCR-EX-TS-I-OLP - Temperature measuring transducer



2908660

<https://www.phoenixcontact.com/us/products/2908660>

MPS-IH YE - Insulating sleeve

0201692

<https://www.phoenixcontact.com/us/products/0201692>

Insulating sleeve, color: yellow



MPS-IH GN - Insulating sleeve

0201702

<https://www.phoenixcontact.com/us/products/0201702>

Insulating sleeve, color: green



MACX MCR-EX-TS-I-OLP - Temperature measuring transducer



2908660

<https://www.phoenixcontact.com/us/products/2908660>

MPS-IH GY - Insulating sleeve

0201728

<https://www.phoenixcontact.com/us/products/0201728>

Insulating sleeve, color: gray



MPS-IH BK - Insulating sleeve

0201731

<https://www.phoenixcontact.com/us/products/0201731>

Insulating sleeve, color: black



MACX MCR-EX-TS-I-OLP - Temperature measuring transducer



2908660

<https://www.phoenixcontact.com/us/products/2908660>

MPS-MT - Test plug

0201744

<https://www.phoenixcontact.com/us/products/0201744>



Test plug, with solder connection up to 1 mm² conductor cross section, number of positions: 1, color: gray

UC-EMLP (11X9) - Plastic label

0819291

<https://www.phoenixcontact.com/us/products/0819291>



Plastic label, Sheet, white, unlabeled, can be labeled with: BLUEMARK ID COLOR, BLUEMARK ID, BLUEMARK CLED, PLOTMARK, CMS-P1-PLOTTER, mounting type: adhesive, lettering field size: 11 x 9 mm, Number of individual labels: 10

MACX MCR-EX-TS-I-OLP - Temperature measuring transducer



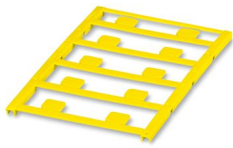
2908660

<https://www.phoenixcontact.com/us/products/2908660>

UC-EMLP (11X9) YE - Plastic label

0822602

<https://www.phoenixcontact.com/us/products/0822602>



Plastic label, Sheet, yellow, unlabeled, can be labeled with: BLUEMARK ID COLOR, BLUEMARK ID, BLUEMARK CLED, PLOTMARK, CMS-P1-PLOTTER, mounting type: adhesive, lettering field size: 11 x 9 mm, Number of individual labels: 10

UC-EMLP (11X9) CUS - Plastic label

0824547

<https://www.phoenixcontact.com/us/products/0824547>



Plastic label, can be ordered: by sheet, white, labeled according to customer specifications, mounting type: adhesive, lettering field size: 11 x 9 mm

MACX MCR-EX-TS-I-OLP - Temperature measuring transducer



2908660

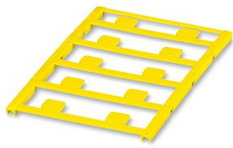
<https://www.phoenixcontact.com/us/products/2908660>

UC-EMLP (11X9) YE CUS - Plastic label

0824548

<https://www.phoenixcontact.com/us/products/0824548>

Plastic label, can be ordered: by sheet, yellow, labeled according to customer specifications, mounting type: adhesive, lettering field size: 11 x 9 mm



UC-EMLP (11X9) SR - Plastic label

0828094

<https://www.phoenixcontact.com/us/products/0828094>

Plastic label, Sheet, silver, unlabeled, can be labeled with: BLUEMARK ID COLOR, BLUEMARK ID, BLUEMARK CLED, PLOTMARK, CMS-P1-PLOTTER, mounting type: adhesive, lettering field size: 11 x 9 mm, Number of individual labels: 10



MACX MCR-EX-TS-I-OLP - Temperature measuring transducer



2908660

<https://www.phoenixcontact.com/us/products/2908660>

UC-EMLP (11X9) SR CUS - Plastic label

0828098

<https://www.phoenixcontact.com/us/products/0828098>



Plastic label, can be ordered: by sheet, silver, labeled according to customer specifications, mounting type: adhesive, lettering field size: 11 x 9 mm, Number of individual labels: 10

US-EMLP (11X9) - Plastic label

0828789

<https://www.phoenixcontact.com/us/products/0828789>



Plastic label, Card, white, unlabeled, can be labeled with: BLUEMARK ID COLOR, BLUEMARK ID, THERMOMARK PRIME, THERMOMARK CARD 2.0, THERMOMARK CARD, mounting type: adhesive, lettering field size: 11 x 9 mm, Number of individual labels: 135

MACX MCR-EX-TS-I-OLP - Temperature measuring transducer



2908660

<https://www.phoenixcontact.com/us/products/2908660>

US-EMLP (11X9) YE - Plastic label

0828871

<https://www.phoenixcontact.com/us/products/0828871>



Plastic label, Card, yellow, unlabeled, can be labeled with: BLUEMARK ID COLOR, BLUEMARK ID, THERMOMARK PRIME, THERMOMARK CARD 2.0, THERMOMARK CARD, mounting type: adhesive, lettering field size: 11 x 9 mm, Number of individual labels: 135

US-EMLP (11X9) SR - Plastic label

0828872

<https://www.phoenixcontact.com/us/products/0828872>



Plastic label, Card, silver, unlabeled, can be labeled with: BLUEMARK ID COLOR, BLUEMARK ID, THERMOMARK PRIME, THERMOMARK CARD 2.0, THERMOMARK CARD, mounting type: adhesive, lettering field size: 11 x 9 mm, Number of individual labels: 135

MACX MCR-EX-TS-I-OLP - Temperature measuring transducer



2908660

<https://www.phoenixcontact.com/us/products/2908660>

LS-EMLP (11X9) WH - Device marker

0831678

<https://www.phoenixcontact.com/us/products/0831678>

Device marker, Sheet, white, unlabeled, can be labeled with: TOPMARK NEO, TOPMARK LASER, mounting type: adhesive, lettering field size: 11 x 9 mm, Number of individual labels: 255



LS-EMLP (11X9) SR - Device marker

0831705

<https://www.phoenixcontact.com/us/products/0831705>

Device marker, Sheet, silver, unlabeled, can be labeled with: TOPMARK NEO, TOPMARK LASER, mounting type: adhesive, lettering field size: 11 x 9 mm, Number of individual labels: 255



MACX MCR-EX-TS-I-OLP - Temperature measuring transducer

2908660

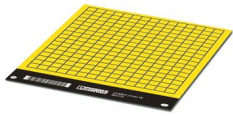
<https://www.phoenixcontact.com/us/products/2908660>

LS-EMLP (11X9) YE - Device marker

0831732

<https://www.phoenixcontact.com/us/products/0831732>

Device marker, Sheet, yellow, unlabeled, can be labeled with: TOPMARK NEO, TOPMARK LASER, mounting type: adhesive, lettering field size: 11 x 9 mm, Number of individual labels: 255



MACX MCR-PTB - Power and error message module

2865625

<https://www.phoenixcontact.com/us/products/2865625>

Power and fault signaling module with screw connection, including corresponding ME 17,5 TBUS 1,5/ 5-ST-3,81 GY DIN rail connector



MACX MCR-EX-TS-I-OLP - Temperature measuring transducer



2908660

<https://www.phoenixcontact.com/us/products/2908660>

MACX MCR-PTB-SP - Power and error message module

2924184

<https://www.phoenixcontact.com/us/products/2924184>



Power and fault signaling module with Push-in connection, including corresponding ME 17,5 TBUS 1,5/ 5-ST-3,81 GY DIN rail connector

QUINT4-SYS-PS/1AC/24DC/2.5/SC - Power supply unit

2904614

<https://www.phoenixcontact.com/us/products/2904614>



Primary-switched power supply, QUINT POWER, screw connection, DIN rail mounting, supply of devices possible via the TBUS DIN rail connector, protective coating, input: single-phase, output: 24 V DC/2.5 A

MACX MCR-EX-TS-I-OLP - Temperature measuring transducer



2908660

<https://www.phoenixcontact.com/us/products/2908660>

SZS 0,6X3,5 - Screwdriver

1205053

<https://www.phoenixcontact.com/us/products/1205053>



Actuation tool, for ST terminal blocks, insulated, also suitable for use as a bladed screwdriver, size: 0.6 x 3.5 x 100 mm, 2-component grip, with non-slip grip

Phoenix Contact 2023 © - all rights reserved
<https://www.phoenixcontact.com>

Phoenix Contact USA
586 Fulling Mill Road
Middletown, PA 17057, United States
(+717) 944-1300
info@phoenixcon.com