

# MCR-FL-T-LP-I-EX - Temperature measuring transducer

2864574

<https://www.phoenixcontact.com/us/products/2864574>

Please be informed that the data shown in this PDF document is generated from our online catalog. Please find the complete data in the user documentation. Our general terms of use for downloads are valid.



MCR head-mounted temperature transducers: Programmable loop-powered temperature transducers. Resistance thermometers, thermocouples, resistance-type sensors and voltage sensors.

## Your advantages

- Input for resistance thermometers, thermocouples, and linear mV signals, Ex ia IIC
- Configuration via software
- Can be installed in zone 1
- 2-way electrical isolation
- 1-channel
- Loop-powered
- HART-compatible (MCR-FL-TS-LP-I-EX)
- Output: 4 mA ... 20 mA/20 mA ... 4 mA

## Commercial data

Item number	2864574
Packing unit	1 pc
Note	Made to order (non-returnable)
Sales key	C430
Product key	DK1XXX
Catalog page	Page 195 (C-5-2017)
GTIN	4017918907273
Weight per piece (including packing)	104 g
Weight per piece (excluding packing)	104 g
Customs tariff number	85437090
Country of origin	DE

# MCR-FL-T-LP-I-EX - Temperature measuring transducer



2864574

<https://www.phoenixcontact.com/us/products/2864574>

## Technical data

### Product properties

Product type	Temperature transmitter
Application	Temperature
Configuration	Using MCR-PI-CONF-WIN configuration software package

### System properties

#### Functionality

Configuration	Using MCR-PI-CONF-WIN configuration software package
---------------	--

### Electrical properties

Switch-on delay	4 s
Line monitoring	NE 43
Test voltage input/output	2 kV AC (50 Hz, 60 s)
Step response (10-90%)	< 2 s
Transmission error voltage sensor	±20 µV (-10 mV ... 100 mV)
Transmission error thermocouples	typ. 0.5 K (K, J, T, E, L, U), 1.0 K (N, C, D), 2.0 K (S, B, R)
Transmission error resistance-type sensor	±0.1 Ω (10 ... 400 Ω), ±1.5 Ω (10 ... 2000 Ω)
Transmission error resistance thermometer	0.2 K (Pt 100, Ni 100), 0.5 K (Pt 500, Ni 500), 0.3 K (Pt 1000, Ni 1000)

#### Supply

Designation	Loop-powered
Supply voltage range	12 V DC ... 30 V DC
Max. current consumption	< 3.5 mA

### Input data

#### Signal

Number of inputs	1
Input signal	Temperature

#### Measurement

Configurable/programmable	Yes, programmable
Sensor types (RTD) that can be used	Pt, Ni (100, 500, 1000); min. measurement range 10 K
Sensor types that can be used (TC)	B, C, D, E, J, K, L, N, R, S, T, U; min. measurement range 50 K/500 K
Sensor type:	-200 °C ... 850 °C (freely adjustable)
	-200 °C ... 250 °C (freely adjustable)
	-200 °C ... 250 °C (freely adjustable)
	-60 °C ... 180 °C (freely adjustable)
	-60 °C ... 150 °C (freely adjustable)
	-60 °C ... 150 °C (freely adjustable)
	0 °C ... 1820 °C (freely adjustable)

# MCR-FL-T-LP-I-EX - Temperature measuring transducer



2864574

<https://www.phoenixcontact.com/us/products/2864574>

	0 °C ... 2320 °C (freely adjustable)
	0 °C ... 2495 °C (freely adjustable)
	-270 °C ... 1000 °C (freely adjustable)
	-210 °C ... 1200 °C (freely adjustable)
	-270 °C ... 1372 °C (freely adjustable)
	-200 °C ... 900 °C (freely adjustable)
	-270 °C ... 1300 °C (freely adjustable)
	-50 °C ... 1760 °C (freely adjustable)
	-50 °C ... 1760 °C (freely adjustable)
	-270 °C ... 400 °C (freely adjustable)
	-200 °C ... 600 °C (freely adjustable)
Connection technology	2-, 3-, 4-conductor
Linear resistance measuring range	10 Ω ... 400 Ω (min. measurement range 10 Ω) 10 Ω ... 2000 Ω (min. measurement range 100 Ω)
Linear mV signal range	-10 mV ... 100 mV (min. measurement range 5 mV)

## Output data

Switching:

Configurable/programmable	no
---------------------------	----

Signal

Output description	Current output
Number of outputs	1
Configurable/programmable	Yes
Current output signal	4 mA ... 20 mA 20 mA ... 4 mA
Max. current output signal	≤ 23 mA
Output current with short-circuit	≤ 3.6 mA or ≥ 21 mA (adjustable, not for thermocouples)
Output current with wire break	≤ 3.6 mA or ≥ 21 mA (adjustable)
Output current range with overrange/underrange	3.8 mA ... 20.5 mA
Load/output load current output	≤ 520 Ω (At $U_V = 24 \text{ V}$ ; $U_{\text{supply}} - 12 \text{ V} / 0.023 \text{ A}$ )

## Connection data

Connection method	Screw connection
Stripping length	8 mm
Screw thread	M3
Conductor cross section rigid	0.2 mm <sup>2</sup> ... 2.5 mm <sup>2</sup>
Conductor cross section flexible	0.2 mm <sup>2</sup> ... 2.5 mm <sup>2</sup>
Conductor cross section AWG	24 ... 14
Tightening torque	0.5 Nm ... 0.6 Nm

## Ex data

Safety data

Max. voltage $U_i$	30 V
--------------------	------

# MCR-FL-T-LP-I-EX - Temperature measuring transducer



2864574

<https://www.phoenixcontact.com/us/products/2864574>

Max. current $I_i$	100 mA
Max. power $P_i$	750 mW
Max. output voltage $U_o$	4.4 V DC
Max. output current $I_o$	9.6 mA
Max. output power $P_o$	10.6 mW
Max. ambient temperature	T4 = 85 °C, T5 = 65 °C, T6 = 50 °C
Safety-related maximum voltage $U_m$	250 V
IIA: Max. external inductivity $L_o$ / Max. external capacitance $C_o$	100 mH / 12 $\mu$ F
IIB: Max. external inductivity $L_o$ / Max. external capacitance $C_o$	100 mH / 12 $\mu$ F
IIC: Max. external inductivity $L_o$ / Max. external capacitance $C_o$	100 mH / 2.4 $\mu$ F

## Dimensions

Dimensional drawing	
Width	12.5 mm
Height	99 mm
Depth	114.5 mm

## Material specifications

Color	green (RAL 6021)
Flammability rating according to UL 94	V0
Housing material	Polyamide PA non-reinforced

## Environmental and real-life conditions

### Ambient conditions

Degree of protection	IP20
Ambient temperature (operation)	-40 °C ... 55 °C

## Approvals

### CE

Certificate	CE-compliant
-------------	--------------

### ATEX

Identification	⊕ II 2(1) G Ex ia IIC T4...T6
----------------	-------------------------------

### UL, USA/Canada

Identification	cULus
----------------	-------

## Standards and regulations

# MCR-FL-T-LP-I-EX - Temperature measuring transducer



2864574

<https://www.phoenixcontact.com/us/products/2864574>

## Standards

Standards/regulations	NAMUR recommendation NE 21
-----------------------	----------------------------

## Mounting

Mounting type	DIN rail mounting
Mounting position	any

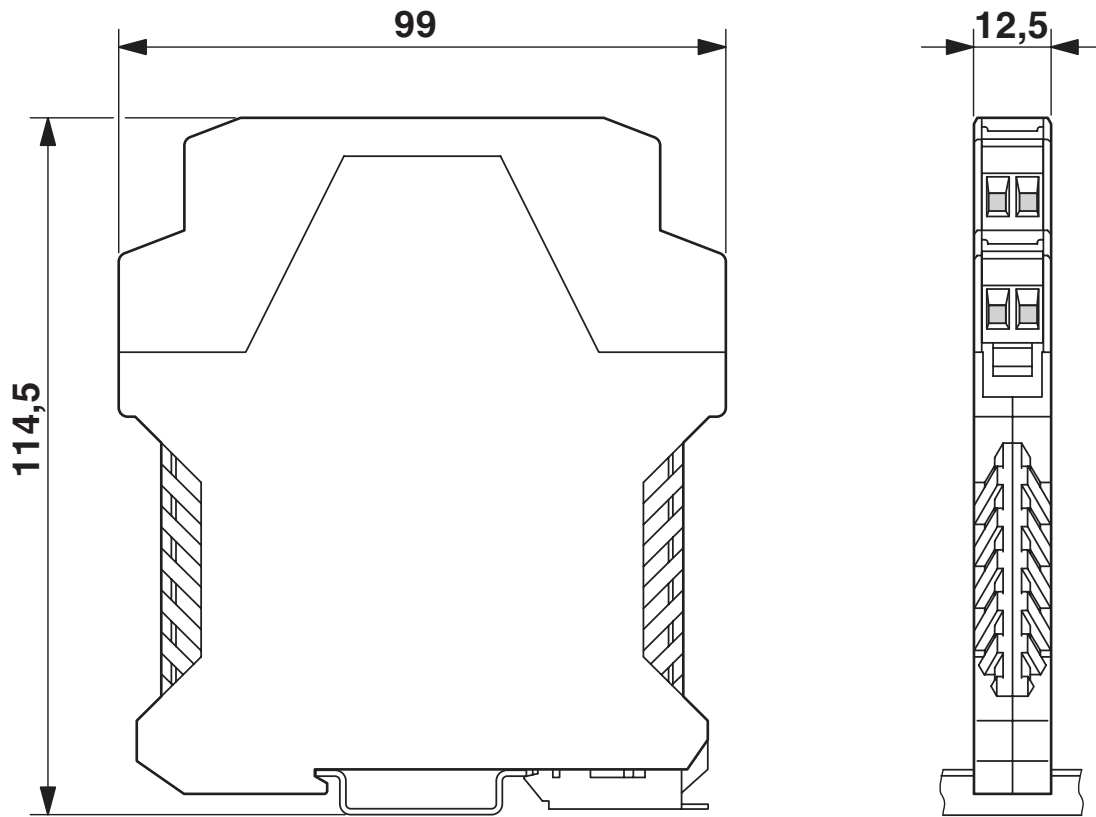
# MCR-FL-T-LP-I-EX - Temperature measuring transducer

2864574

<https://www.phoenixcontact.com/us/products/2864574>

## Drawings

Dimensional drawing

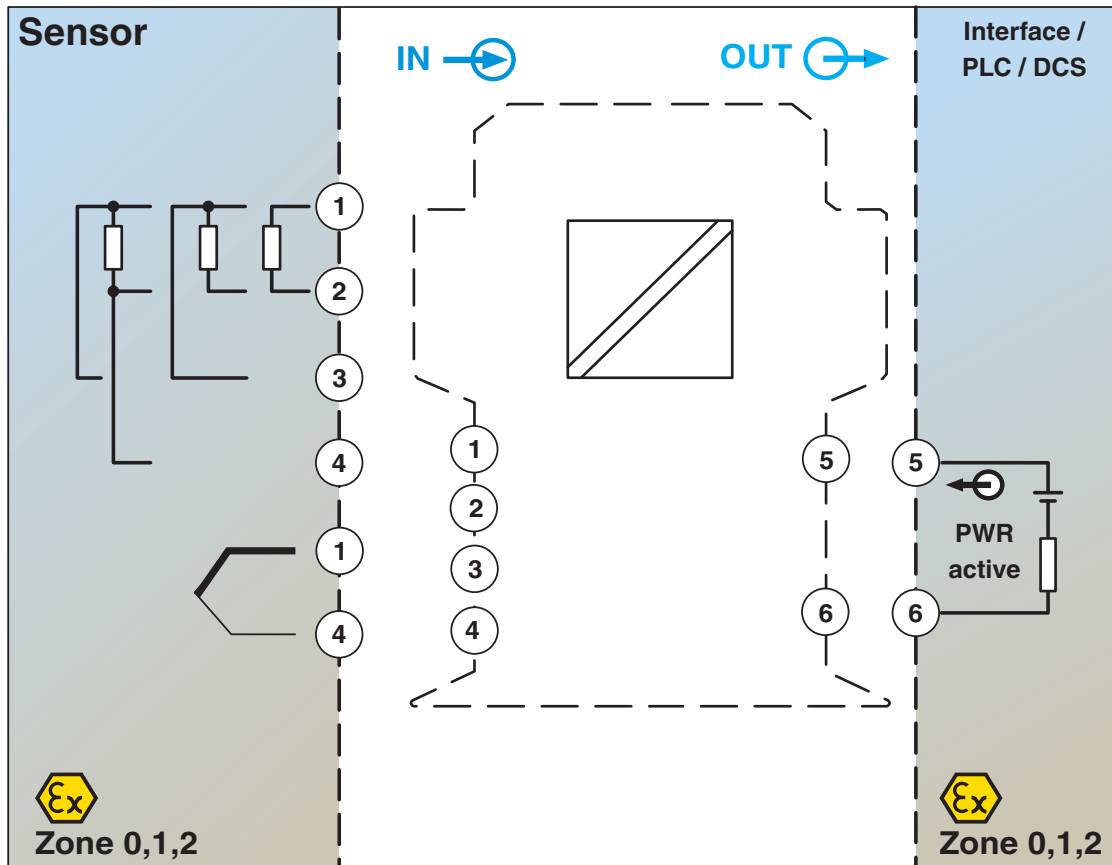


# MCR-FL-T-LP-I-EX - Temperature measuring transducer

2864574

<https://www.phoenixcontact.com/us/products/2864574>

Block diagram



Block diagram MCR-FL-T-LP-I-EX

# MCR-FL-T-LP-I-EX - Temperature measuring transducer



2864574

<https://www.phoenixcontact.com/us/products/2864574>

## Classifications

### UNSPSC

UNSPSC 21.0	41112105
-------------	----------



# MCR-FL-T-LP-I-EX - Temperature measuring transducer



2864574

<https://www.phoenixcontact.com/us/products/2864574>

## Environmental product compliance

### EU RoHS

Fulfills EU RoHS substance requirements	Yes, No exemptions
---	--------------------

### China RoHS

Environment friendly use period (EFUP)	EFUP-E
	No hazardous substances above the limits

### EU REACH SVHC

REACH candidate substance (CAS No.)	No substance above 0.1 wt%
-------------------------------------	----------------------------

Phoenix Contact 2025 © - all rights reserved  
<https://www.phoenixcontact.com>

Phoenix Contact USA  
586 Fulling Mill Road  
Middletown, PA 17057, United States  
(+717) 944-1300  
[info@phoenixcon.com](mailto:info@phoenixcon.com)