

MCR-FL-T-LP-I - Temperature measuring transducer



2864561

<https://www.phoenixcontact.com/us/products/2864561>

Please be informed that the data shown in this PDF document is generated from our online catalog. Please find the complete data in the user documentation. Our general terms of use for downloads are valid.



MCR temperature measuring transducer: programmable, loop-powered, for resistance thermometers, thermocouples, resistance-type sensors and voltage sensors.

Your advantages

- Freely programmable via MCR/PI-CONF-WIN
- Two-wire transmitter for resistance thermometers, thermocouples, resistance-type sensors, and voltage sensors

Commercial data

Item number	2864561
Packing unit	1 pc
Minimum order quantity	1 pc
Note	Made to order (non-returnable)
Sales key	C401
Product key	CK1322
Catalog page	Page 196 (C-5-2017)
GTIN	4017918899820
Weight per piece (including packing)	103.6 g
Weight per piece (excluding packing)	103.6 g
Customs tariff number	85437090
Country of origin	DE

MCR-FL-T-LP-I - Temperature measuring transducer



2864561

<https://www.phoenixcontact.com/us/products/2864561>

Technical data

Product properties

Product type	Temperature transmitter
Configuration	Using MCR-PI-CONF-WIN configuration software package

Electrical properties

Switch-on delay	4 s
Maximum power dissipation for nominal condition	122.5 mW
Test voltage input/output	2 kV AC (50 Hz, 60 s)
Step response (10-90%)	< 2 s
Transmission error voltage sensor	±20 µV (-10 mV ... 100 mV)
Transmission error thermocouples	typ. 0.5 K (K, J, T, E, L, U), 1.0 K (N, C, D), 2.0 K (S, B, R)
Transmission error resistance-type sensor	±0.1 Ω (10 ... 400 Ω), ±1.5 Ω (10 ... 2000 Ω)
Transmission error resistance thermometer	0.2 K (Pt 100, Ni 100), 0.5 K (Pt 500, Ni 500), 0.3 K (Pt 1000, Ni 1000)

Supply

Designation	Loop-powered
Supply voltage range	12 V DC ... 35 V DC
Max. current consumption	< 3.5 mA

Input data

Signal

Number of inputs	1
Input signal	Temperature

Measurement

Configurable/programmable	Yes, programmable
Sensor types (RTD) that can be used	Pt, Ni (100, 500, 1000); minimum measurement range 10 K
Sensor types that can be used (TC)	B, C, D, E, J, K, L, N, R, S, T, U; minimum measurement range 50 K/500 K
Sensor type:	-200 °C ... 850 °C (freely adjustable)
	-200 °C ... 250 °C (freely adjustable)
	-200 °C ... 250 °C (freely adjustable)
	-60 °C ... 250 °C (freely adjustable)
	-60 °C ... 150 °C (freely adjustable)
	-60 °C ... 150 °C (freely adjustable)
	0 °C ... 1820 °C (freely adjustable)
	0 °C ... 2320 °C (freely adjustable)
	0 °C ... 2495 °C (freely adjustable)
	-270 °C ... 1000 °C (freely adjustable)
	-210 °C ... 1200 °C (freely adjustable)
	-270 °C ... 1372 °C (freely adjustable)

MCR-FL-T-LP-I - Temperature measuring transducer



2864561

<https://www.phoenixcontact.com/us/products/2864561>

	-200 °C ... 900 °C (freely adjustable)
	-270 °C ... 1300 °C (freely adjustable)
	-50 °C ... 1760 °C (freely adjustable)
	-50 °C ... 1760 °C (freely adjustable)
	-270 °C ... 400 °C (freely adjustable)
	-200 °C ... 600 °C (freely adjustable)
Linear resistance measuring range	Resistance-type sensor from 10 Ω to 400 Ω and from 10 Ω to 2000 Ω; minimum measurement range 10 Ω/100 Ω
Linear mV signal range	-10 mV ... 100 mV (min. measurement range 5 mV)
Connection technology	2-, 3-, 4-conductor

Output data

Frequency:

Configurable/programmable	no
---------------------------	----

Signal: Current output

Number of outputs	1
Configurable/programmable	Yes
Current output signal	4 mA ... 20 mA 20 mA ... 4 mA
Output current with wire break	≤ 3.6 mA or ≥ 21 mA (adjustable)
Output current with short-circuit	≤ 3.6 mA or ≥ 21 mA (adjustable, not for thermocouples)
Output current range with overrange/underrange	≤ 20.5 mA / ≥ 3.8 mA (linear increase/decrease)
Output current limit	≤ 23 mA
Load/output load current output	max (V _{supply} -12 V) / 0.023 A (current output)

Connection data

Connection method	Screw connection
Stripping length	8 mm
Screw thread	M3
Conductor cross section rigid	0.2 mm ² ... 2.5 mm ²
Conductor cross section flexible	0.2 mm ² ... 2.5 mm ²
Conductor cross section AWG	24 ... 14

Dimensions

Dimensional drawing	
Width	12.5 mm
Height	99 mm
Depth	114.5 mm

MCR-FL-T-LP-I - Temperature measuring transducer



2864561

<https://www.phoenixcontact.com/us/products/2864561>

Material specifications

Housing material	Polyamide PA non-reinforced
------------------	-----------------------------

Environmental and real-life conditions

Ambient conditions

Degree of protection	IP20
Ambient temperature (operation)	-40 °C ... 85 °C

Approvals

CE

Certificate	CE-compliant
-------------	--------------

UL, USA/Canada

Identification	Class I, Div. 2, Groups A, B, C, D
----------------	------------------------------------

EMC data

Noise immunity	EN 61326-1 (IEC 61326) and NAMUR NE 21
Noise emission	EN 61326-1 (IEC 61326) and NAMUR NE 21

Mounting

Mounting type	DIN rail mounting
Mounting position	any

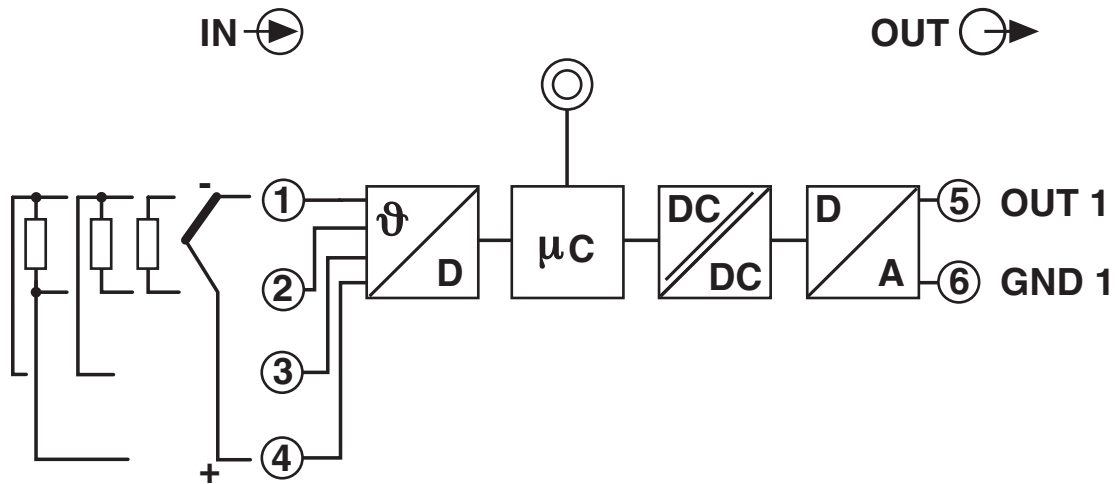
MCR-FL-T-LP-I - Temperature measuring transducer

2864561

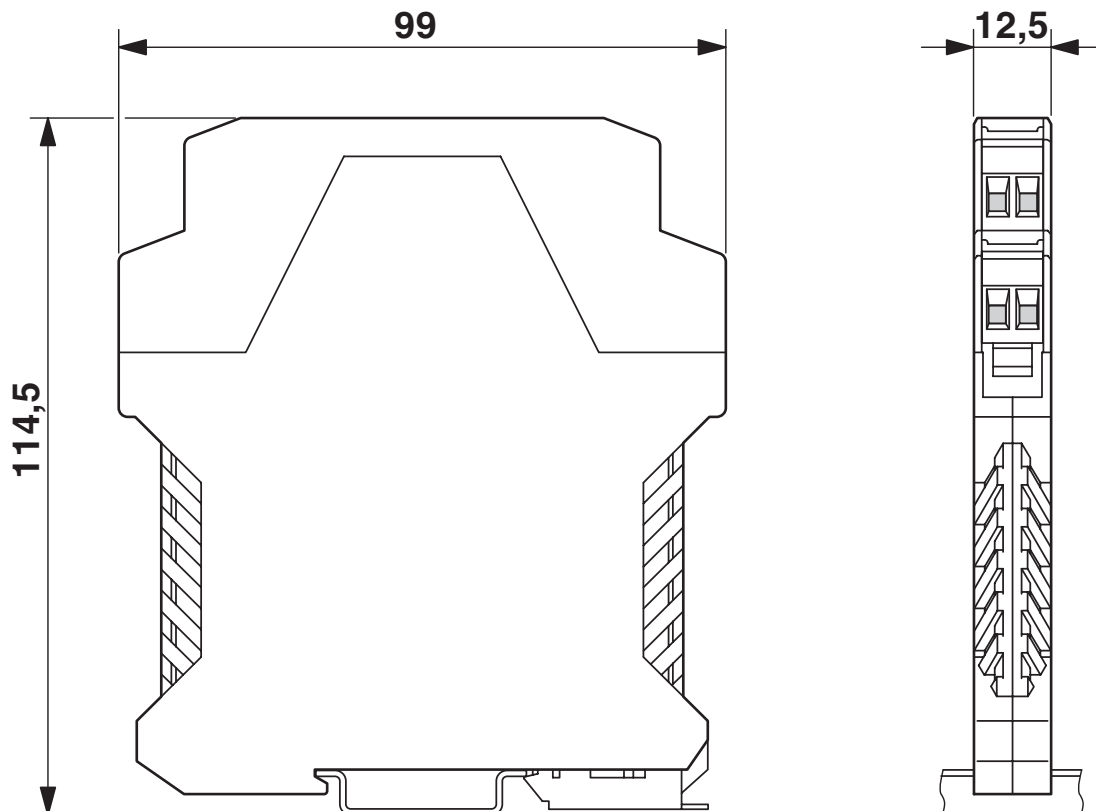
<https://www.phoenixcontact.com/us/products/2864561>

Drawings

Circuit diagram



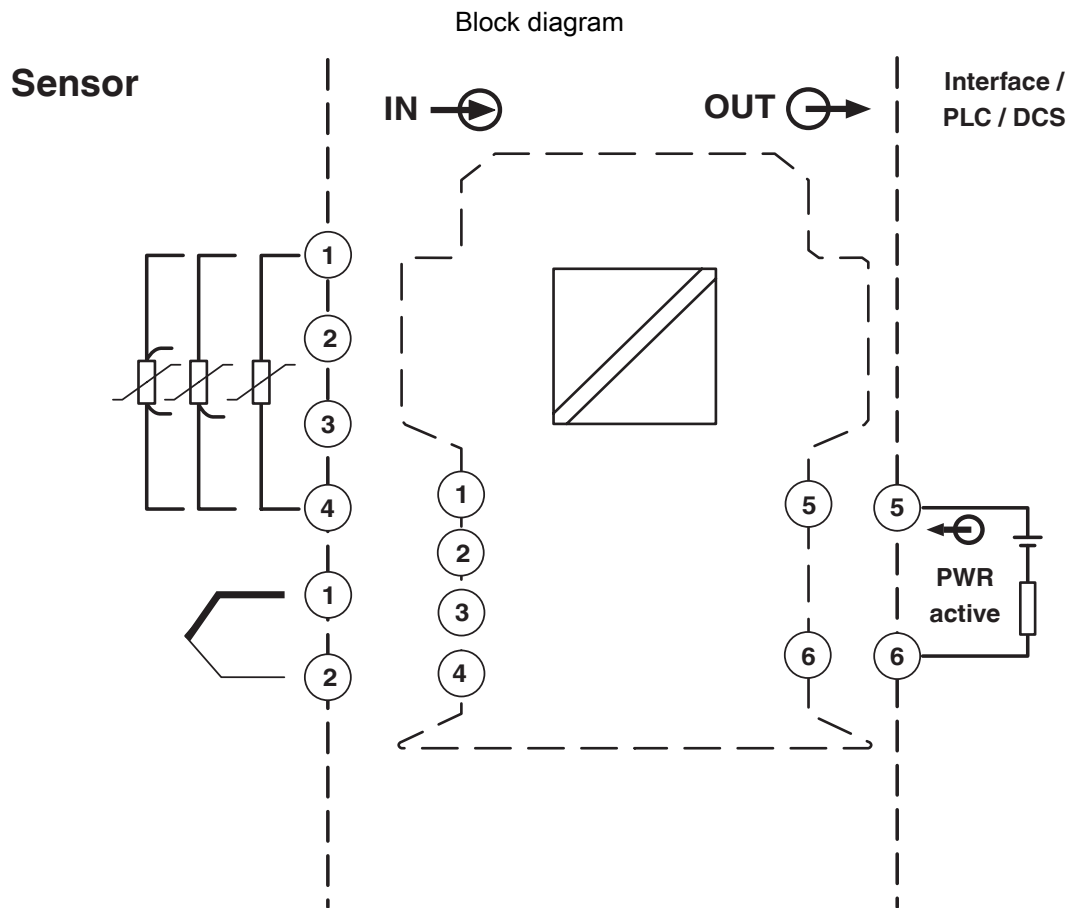
Dimensional drawing



MCR-FL-T-LP-I - Temperature measuring transducer

2864561

<https://www.phoenixcontact.com/us/products/2864561>



Block diagram MCR-FL-T-LP-I

MCR-FL-T-LP-I - Temperature measuring transducer



2864561

<https://www.phoenixcontact.com/us/products/2864561>

Classifications

ECLASS

ECLASS-11.0

27210129

UNSPSC

UNSPSC 21.0

41112105

MCR-FL-T-LP-I - Temperature measuring transducer



2864561

<https://www.phoenixcontact.com/us/products/2864561>

Environmental product compliance

China RoHS	Environmentally friendly use period: unlimited = EFUP-e
	No hazardous substances above threshold values

MCR-FL-T-LP-I - Temperature measuring transducer

2864561

<https://www.phoenixcontact.com/us/products/2864561>



Accessories

MCR-PAC-T-USB - Programming adapter

2309000

<https://www.phoenixcontact.com/us/products/2309000>

Programming adapter with USB and T port interface, 2.4 m for programming FA MCR-..., MCR-...-LP-..., and MCR-...-HT-... modules



Phoenix Contact 2023 © - all rights reserved
<https://www.phoenixcontact.com>

Phoenix Contact USA
586 Fulling Mill Road
Middletown, PA 17057, United States
(+717) 944-1300
info@phoenixcon.com