

TTC-6P-4-24DC-UT-I - Surge protection device



1106013

<https://www.phoenixcontact.com/us/products/1106013>

Please be informed that the data shown in this PDF document is generated from our online catalog. Please find the complete data in the user documentation. Our general terms of use for downloads are valid.



Surge protection, consisting of protective plug and base element, with integrated status indicator for a 4-wire floating signal circuit with high nominal current. Ideal for 4-wire measurements, e.g., of temperatures and weights. Can be used in safety-related circuits up to SIL 3.

Your advantages

- Efficient use of space: the narrowest pluggable surge protection solution for 4-conductor applications
- Easy function monitoring: on-site or optionally via remote signaling, with optical monitoring, without additional effort
- Servicing without affecting the signal: replace the surge protection module without affecting the measuring signal
- Flexible choice: Push-in Technology or screw connection

Commercial data

Item number	1106013
Packing unit	1 pc
Minimum order quantity	1 pc
Sales key	CL23
Product key	CL2161
GTIN	4055626996837
Weight per piece (including packing)	55.9 g
Weight per piece (excluding packing)	53.7 g
Customs tariff number	85363010
Country of origin	DE

TTC-6P-4-24DC-UT-I - Surge protection device



1106013

<https://www.phoenixcontact.com/us/products/1106013>

Technical data

Product properties

Product type	Surge protection for MCR technology
Product family	TERMITRAB complete
IEC test classification	C1
	C2
	C3
	D1
Type	DIN rail module, two-section, divisible

Insulation characteristics

Overvoltage category	III
Pollution degree	2

Electrical properties

Nominal voltage U_N	24 V DC
	24 V AC

Connection data

Connection method	Screw connection
Screw thread	M3
Tightening torque	0.5 Nm ... 0.6 Nm
Conductor cross section flexible	0.2 mm ² ... 2.5 mm ²
Conductor cross section rigid	0.2 mm ² ... 4 mm ²
Conductor cross section AWG	24 ... 12

Dimensions

Dimensional drawing	
Width	6.2 mm +0.1 mm
Height	125 mm
Depth	100 mm (incl. DIN rail 7.5 mm)

Material specifications

Color (Base element)	gray (RAL 7042)
Color (Male connector)	light gray (RAL 7035)
Flammability rating according to UL 94	V-0
Insulating material	PBT
Housing material	PBT

TTC-6P-4-24DC-UT-I - Surge protection device



1106013

<https://www.phoenixcontact.com/us/products/1106013>

Mechanical properties

Mechanical data

Open side panel	No
-----------------	----

Protective circuit

Direction of action	Line-Line & Line-Earth Ground
Maximum continuous voltage U_C	36 V DC
	30 V AC
Rated current	2.5 A (60°C for insulated systems)
Operating effective current I_C at U_C	$\leq 5 \mu\text{A}$
Residual current I_{PE}	$\leq 1 \mu\text{A}$
Nominal discharge current I_n (8/20) μs (line-line)	350 A
Nominal discharge current I_n (8/20) μs (line-ground)	5 kA
Pulse discharge current I_{imp} (10/350) μs (line-earth)	0.5 kA
Total discharge current I_{total} (8/20) μs	10 kA
Voltage protection level U_p (line-line)	$\leq 100 \text{ V}$ (C1 - 0.7 kV / 350 A)
	$\leq 100 \text{ V}$ (C3 - 50 A)
	$\leq 80 \text{ V}$ (C3 - 25 A)
Voltage protection level U_p (line-earth)	$\leq 900 \text{ V}$ (C1 - 1 kV / 500 A)
	$\leq 900 \text{ V}$ (C2 - 10 kV / 5 kA)
Response time t_A (line-line)	$\leq 1 \text{ ns}$
Response time t_A (line-earth)	$\leq 100 \text{ ns}$
Input attenuation aE, sym.	typ. 0.3 dB ($\leq 12 \text{ MHz}$ / 150 Ω)
Cut-off frequency f_g (3 dB), sym. in 150 Ω system	$> 60 \text{ MHz}$
Capacity (Core-Core)	typ. 30 pF
Capacity (Core-Earth)	typ. 30 pF
Resistance per path	0.03 Ω
Surge protection fault message	optical
Max. required back-up fuse	2.5 A (F)
Impulse durability (line-line)	C1 - 700 V / 350 A
	C3 - 50 A
Impulse durability (line-earth)	C1 - 1 kV / 500 A
	C2 - 10 kV / 5 kA
	C3 - 100 A
	D1 - 500 A

Additional technical data

Max. total discharge current $I_{total \max}$ (8/20) μs	20 kA (1x)
--	------------

Environmental and real-life conditions

Ambient conditions

Degree of protection	IP20
Ambient temperature (operation)	-40 °C ... 85 °C

TTC-6P-4-24DC-UT-I - Surge protection device



1106013

<https://www.phoenixcontact.com/us/products/1106013>

Ambient temperature (storage/transport)	-40 °C ... 85 °C
Altitude	≤ 6000 m (amsl)
Permissible humidity (operation)	5 % ... 95 %

Approvals

Conformity/Approvals

UL, USA / Canada	Class I, Div. 2, Groups A, B, C, D T4A
------------------	--

Standards and regulations

Standards/specifications	IEC 61643-21
Note	2000 + corrigendum 2001 + A1:2008, modified + A2:2012

EN 61643-21

Standards/specifications	EN 61643-21
Note	2001 + A1:2009 + A2:2013

Mounting

Mounting type	DIN rail: TH 35 - 7.5 mm
---------------	--------------------------

TTC-6P-4-24DC-UT-I - Surge protection device

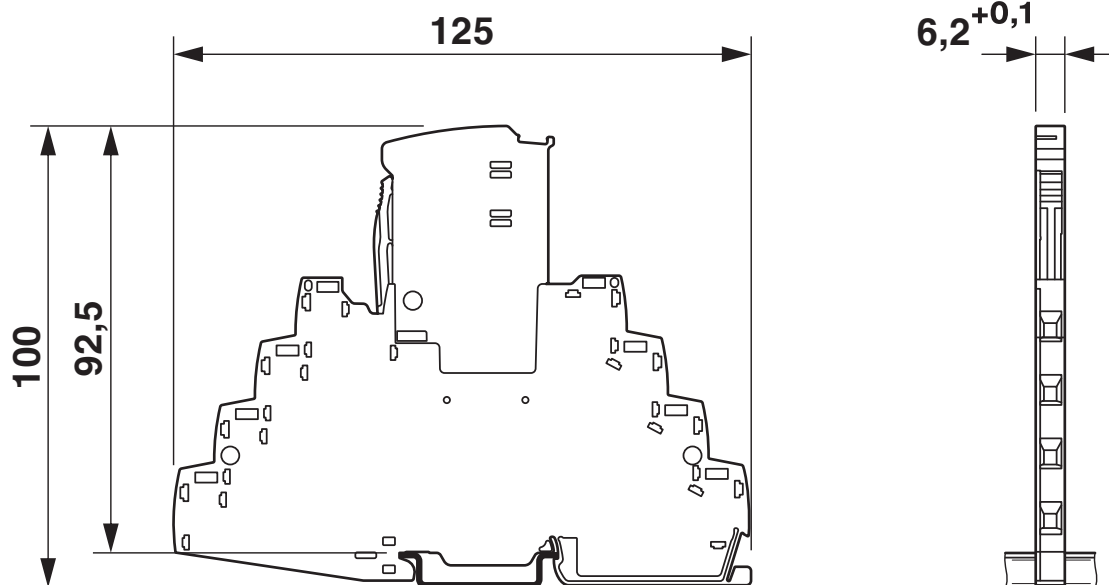


1106013

<https://www.phoenixcontact.com/us/products/1106013>

Drawings

Dimensional drawing



Schematic diagram

TTC-6P-4-...DC-...-I									
Category	1oo1 architecture, HFT=0				1oo2 architecture, HFT=1				
	PFD _{AVG}	PFH	Used budget of SIL 2 SIF		PFD _{AVG}	PFH	CCF	Used budget of SIL 3 SIF	
			PFD _{AVG}	PFH				PFD _{AVG}	PFH
	1.23 _{x10⁻⁴}	2.18 _{x10⁻⁸}	1.2 %	2.2 %	6.15 _{x10⁻⁶}	1.09 _{x10⁻⁹}	5 %	0.6 %	1.1 %
					1.24 _{x10⁻⁵}	2.18 _{x10⁻⁸}	10 %	1.2 %	2.2 %
Calculation based on exida report, Phoenix Contact 16/06-072 R022 V4R2 exida Profile 1, FMEDA Analysis 2, T _{proof} : 1 year, MT: 10 years, MTTR: 24 hours, PTC: 99% Used standards IEC/EN 61508, edition 2010 (device specific) IEC/EN 61511, edition 2016 + COR1:2016 + A1:2017 (system specific)									

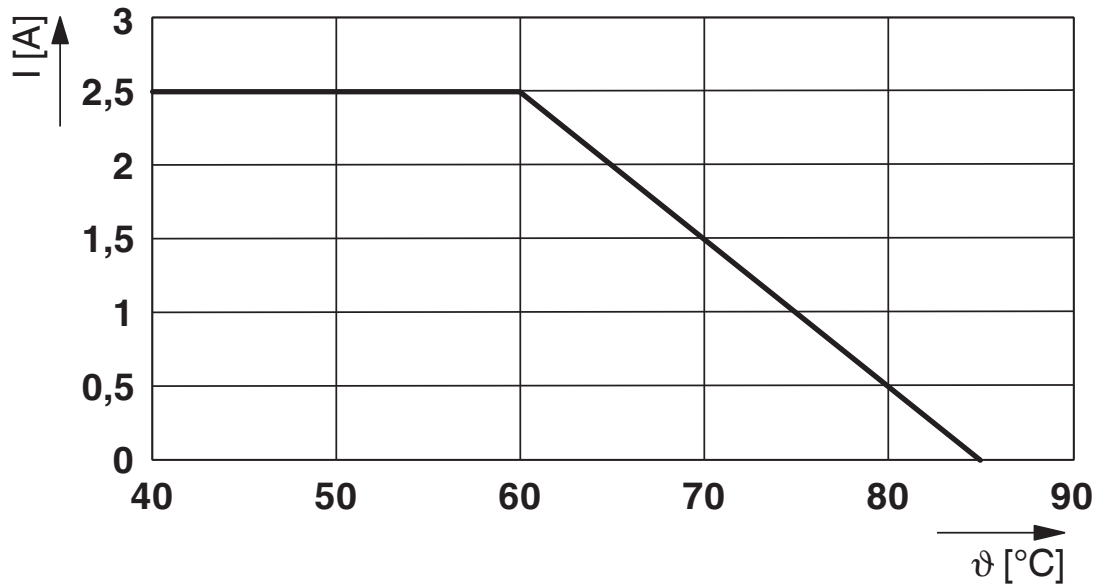
Functional safety scenarios

TTC-6P-4-24DC-UT-I - Surge protection device

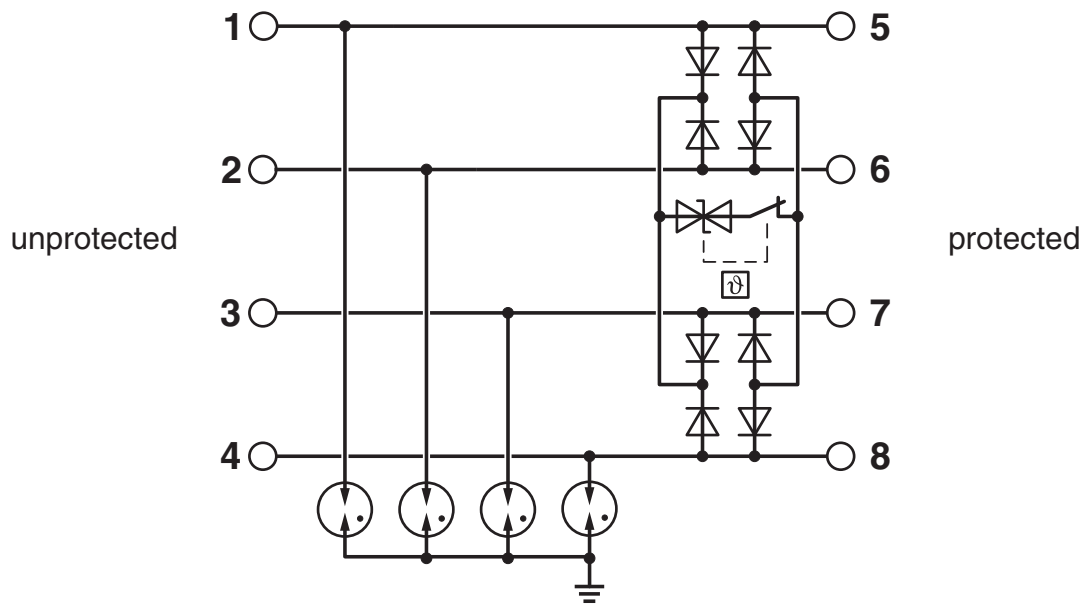
1106013

<https://www.phoenixcontact.com/us/products/1106013>

Diagram



Circuit diagram



TTC-6P-4-24DC-UT-I - Surge protection device



1106013

<https://www.phoenixcontact.com/us/products/1106013>

Approvals

To download certificates, visit the product detail page: <https://www.phoenixcontact.com/us/products/1106013>



UL Listed

Approval ID: FILE E 138168



DNV GL

Approval ID: TAE000027G

UAE-RoHS

Approval ID: 22-06-16783

Functional Safety

Approval ID: 16-06-072 R022 V4R3



cUL Listed

Approval ID: FILE E 333250



UL Listed

Approval ID: FILE E 333250

cULus Listed

TTC-6P-4-24DC-UT-I - Surge protection device



1106013

<https://www.phoenixcontact.com/us/products/1106013>

Classifications

ECLASS

ECLASS-11.0	27130807
ECLASS-13.0	27171501

ETIM

ETIM 9.0	EC000943
----------	----------

UNSPSC

UNSPSC 21.0	39121600
-------------	----------

TTC-6P-4-24DC-UT-I - Surge protection device



1106013

<https://www.phoenixcontact.com/us/products/1106013>

Environmental product compliance

EU RoHS

Fulfills EU RoHS substance requirements	Yes
Exemption	7(a)

China RoHS

Environment friendly use period (EFUP)	EFUP-50
	An article-related China RoHS declaration table can be found in the download area for the respective article under "Manufacturer declaration". For all articles with EFUP-E, no China RoHS declaration table issued and required.

EU REACH SVHC

REACH candidate substance (CAS No.)	Lead(CAS: 7439-92-1)
SCIP	a40c6b1a-f19e-43a6-80c7-df6e28840056

Phoenix Contact 2025 © - all rights reserved

<https://www.phoenixcontact.com>

Phoenix Contact USA
586 Fulling Mill Road
Middletown, PA 17057, United States
(+717) 944-1300
info@phoenixcon.com