

# TTC-6P-4-24DC-PT-I - Surge protection device



1106014

<https://www.phoenixcontact.com/us/products/1106014>

Please be informed that the data shown in this PDF document is generated from our online catalog. Please find the complete data in the user documentation. Our general terms of use for downloads are valid.



Surge protection, consisting of protective plug and base element, with integrated status indicator for a 4-wire floating signal circuit with high nominal current. Ideal for 4-wire measurements, e.g., of temperatures and weights. Can be used in safety-related circuits up to SIL 3.

## Your advantages

- Efficient use of space: the narrowest pluggable surge protection solution for 4-conductor applications
- Easy function monitoring: on-site or optionally via remote signaling, with optical monitoring, without additional effort
- Servicing without affecting the signal: replace the surge protection module without affecting the measuring signal
- Flexible choice: Push-in Technology or screw connection

## Commercial data

Item number	1106014
Packing unit	1 pc
Minimum order quantity	1 pc
Sales key	CL23
Product key	CL2162
GTIN	4055626997100
Weight per piece (including packing)	49 g
Weight per piece (excluding packing)	32.62 g
Customs tariff number	85363010
Country of origin	DE

# TTC-6P-4-24DC-PT-I - Surge protection device



1106014

<https://www.phoenixcontact.com/us/products/1106014>

## Technical data

### Product properties

Product type	Surge protection for MCR technology
Product family	TERMITRAB complete
IEC test classification	C1
	C2
	C3
	D1
Type	DIN rail module, two-section, divisible

### Insulation characteristics

Overvoltage category	III
Pollution degree	2

### Electrical properties

Nominal voltage $U_N$	24 V DC
	24 V AC

### Connection data

Connection method	Push-in connection
Conductor cross section flexible	0.2 mm <sup>2</sup> ... 2.5 mm <sup>2</sup>
Conductor cross section rigid	0.2 mm <sup>2</sup> ... 4 mm <sup>2</sup>
Conductor cross section AWG	24 ... 12

### Dimensions

Dimensional drawing	
Width	6.2 mm +0.1 mm
Height	125 mm
Depth	100 mm (incl. DIN rail 7.5 mm)

### Material specifications

Color (Base element)	gray (RAL 7042)
Color (Male connector)	light gray (RAL 7035)
Flammability rating according to UL 94	V-0
Insulating material	PBT
Housing material	PBT

### Mechanical properties

#### Mechanical data

# TTC-6P-4-24DC-PT-I - Surge protection device



1106014

<https://www.phoenixcontact.com/us/products/1106014>

Open side panel	No
-----------------	----

## Protective circuit

Direction of action	Line-Line & Line-Earth Ground
Maximum continuous voltage $U_C$	36 V DC
	30 V AC
Rated current	2.5 A (60°C for insulated systems)
Operating effective current $I_C$ at $U_C$	$\leq 5 \mu\text{A}$
Residual current $I_{PE}$	$\leq 1 \mu\text{A}$
Nominal discharge current $I_n$ (8/20) $\mu\text{s}$ (line-line)	350 A
Nominal discharge current $I_n$ (8/20) $\mu\text{s}$ (line-ground)	5 kA
Pulse discharge current $I_{imp}$ (10/350) $\mu\text{s}$ (line-earth)	0.5 kA
Total discharge current $I_{total}$ (8/20) $\mu\text{s}$	10 kA
Voltage protection level $U_p$ (line-line)	$\leq 100 \text{ V}$ (C1 - 0.7 kV / 350 A)
	$\leq 100 \text{ V}$ (C3 - 50 A)
	$\leq 80 \text{ V}$ (C3 - 25 A)
Voltage protection level $U_p$ (line-earth)	$\leq 900 \text{ V}$ (C1 - 1 kV / 500 A)
	$\leq 900 \text{ V}$ (C2 - 10 kV / 5 kA)
Response time $t_A$ (line-line)	$\leq 1 \text{ ns}$
Response time $t_A$ (line-earth)	$\leq 100 \text{ ns}$
Input attenuation aE, sym.	typ. 0.3 dB ( $\leq 12 \text{ MHz} / 150 \Omega$ )
Cut-off frequency $f_g$ (3 dB), sym. in 150 $\Omega$ system	$> 60 \text{ MHz}$
Capacity (Core-Core)	typ. 30 pF
Capacity (Core-Earth)	typ. 30 pF
Resistance per path	0.03 $\Omega$
Surge protection fault message	optical
Max. required back-up fuse	2.5 A (F)
Impulse durability (line-line)	C1 - 700 V / 350 A
	C3 - 50 A
Impulse durability (line-earth)	C1 - 1 kV / 500 A
	C2 - 10 kV / 5 kA
	C3 - 100 A
	D1 - 500 A

## Additional technical data

Max. total discharge current $I_{total \max}$ (8/20) $\mu\text{s}$	20 kA (1x)
--	------------

## Environmental and real-life conditions

### Ambient conditions

Degree of protection	IP20
Ambient temperature (operation)	-40 °C ... 85 °C
Ambient temperature (storage/transport)	-40 °C ... 85 °C
Altitude	$\leq 6000 \text{ m}$ (amsl)
Permissible humidity (operation)	5 % ... 95 %

# TTC-6P-4-24DC-PT-I - Surge protection device



1106014

<https://www.phoenixcontact.com/us/products/1106014>

## Approvals

### Conformity/Approvals

UL, USA / Canada	Class I, Div. 2, Groups A, B, C, D T4A
------------------	--

## Standards and regulations

Standards/specifications	IEC 61643-21
Note	2000 + corrigendum 2001 + A1:2008, modified + A2:2012

### EN 61643-21

Standards/specifications	EN 61643-21
Note	2001 + A1:2009 + A2:2013

## Mounting

Mounting type	DIN rail: TH 35 - 7.5 mm
---------------	--------------------------

# TTC-6P-4-24DC-PT-I - Surge protection device

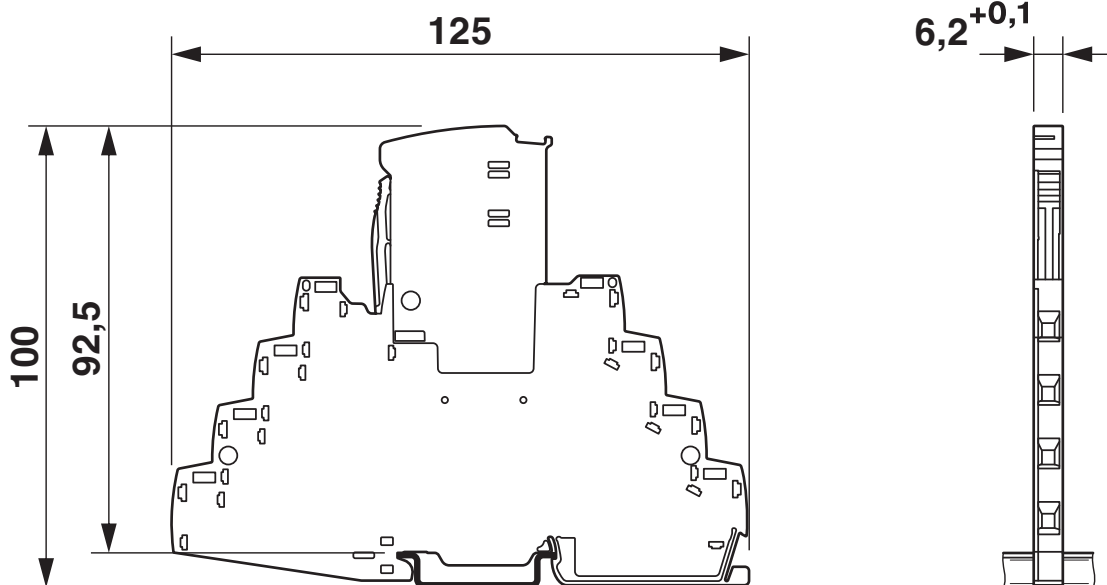


1106014

<https://www.phoenixcontact.com/us/products/1106014>

## Drawings

Dimensional drawing



Schematic diagram

TTC-6P-4-...DC-...-I									
Category	1oo1 architecture, HFT=0				1oo2 architecture, HFT=1				
	PFD <sub>AVG</sub>	PFH	Used budget of SIL 2 SIF		PFD <sub>AVG</sub>	PFH	CCF	Used budget of SIL 3 SIF	
			PFD <sub>AVG</sub>	PFH				PFD <sub>AVG</sub>	PFH
	1.23 $\times 10^{-4}$	2.18 $\times 10^{-8}$ 1/h	1.2 %	2.2 %	6.15 $\times 10^{-6}$	1.09 $\times 10^{-9}$ 1/h	5 %	0.6 %	1.1 %
					1.24 $\times 10^{-5}$	2.18 $\times 10^{-8}$ 1/h	10 %	1.2 %	2.2 %
Calculation based on exida report, Phoenix Contact 16/06-072 R022 V4R2 exida Profile 1, FMEDA Analysis 2, T <sub>proof</sub> : 1 year, MT: 10 years, MTTR: 24 hours, PTC: 99% Used standards IEC/EN 61508, edition 2010 (device specific) IEC/EN 61511, edition 2016 + COR1:2016 + A1:2017 (system specific)									

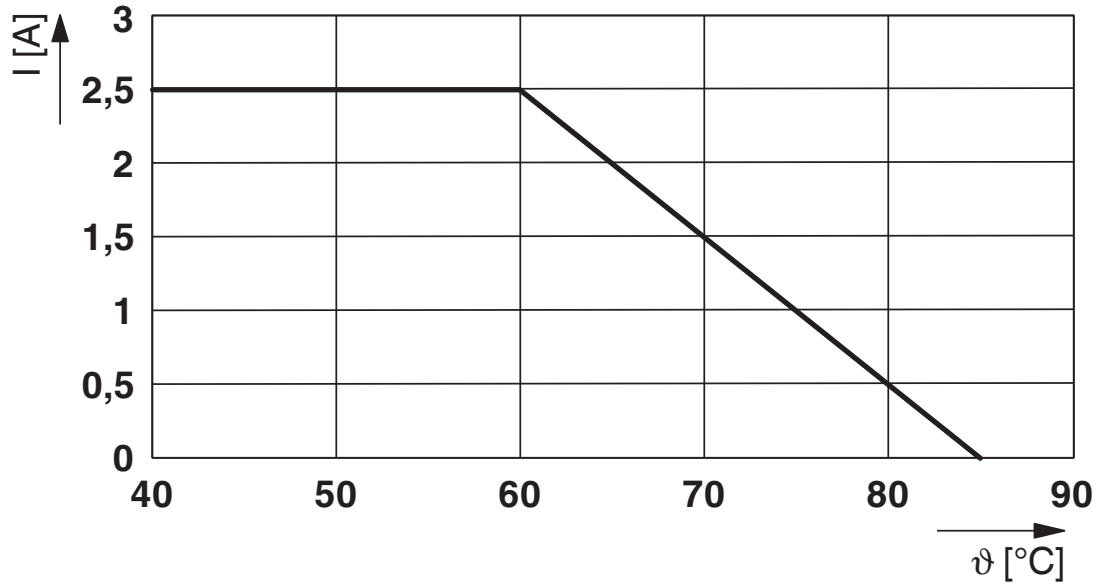
## Functional safety scenarios

# TTC-6P-4-24DC-PT-I - Surge protection device

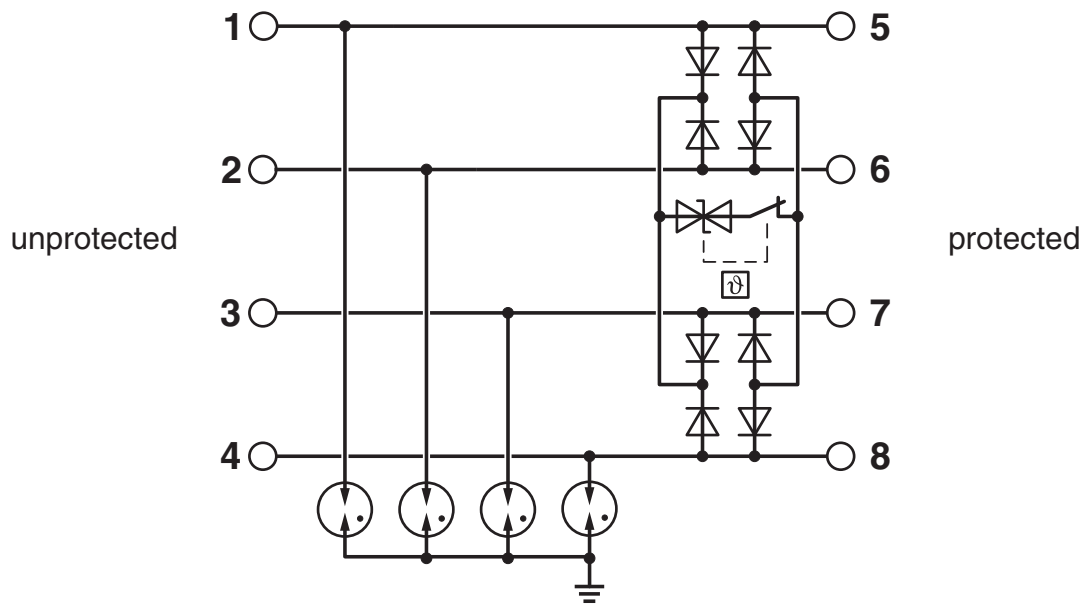
1106014

<https://www.phoenixcontact.com/us/products/1106014>

Diagram



Circuit diagram



# TTC-6P-4-24DC-PT-I - Surge protection device



1106014

<https://www.phoenixcontact.com/us/products/1106014>

## Approvals

To download certificates, visit the product detail page: <https://www.phoenixcontact.com/us/products/1106014>



### UL Listed

Approval ID: FILE E 138168



### DNV GL

Approval ID: TAE000027G

### UAE-RoHS

Approval ID: 22-06-16783

### Functional Safety

Approval ID: 16-06-072 R022 V4R3



### cUL Listed

Approval ID: FILE E 333250



### UL Listed

Approval ID: FILE E 333250

### cULus Listed

# TTC-6P-4-24DC-PT-I - Surge protection device



1106014

<https://www.phoenixcontact.com/us/products/1106014>

## Classifications

### ECLASS

ECLASS-11.0	27130807
ECLASS-13.0	27171501

### ETIM

ETIM 9.0	EC000943
----------	----------

### UNSPSC

UNSPSC 21.0	39121600
-------------	----------



1106014

<https://www.phoenixcontact.com/us/products/1106014>

## Environmental product compliance

### EU RoHS

Fulfills EU RoHS substance requirements	Yes
Exemption	7(a)

### China RoHS

Environment friendly use period (EFUP)	EFUP-50
	An article-related China RoHS declaration table can be found in the download area for the respective article under "Manufacturer declaration". For all articles with EFUP-E, no China RoHS declaration table issued and required.

### EU REACH SVHC

REACH candidate substance (CAS No.)	Lead(CAS: 7439-92-1)
SCIP	aacb531d-9b60-4ae6-923a-43b9de0e288d

Phoenix Contact 2025 © - all rights reserved

<https://www.phoenixcontact.com>

Phoenix Contact USA  
586 Fulling Mill Road  
Middletown, PA 17057, United States  
(+717) 944-1300  
[info@phoenixcon.com](mailto:info@phoenixcon.com)