

EMG 17-OV- 24DC/ 60DC/3 - Solid-state relay module



2954154

<https://www.phoenixcontact.com/us/products/2954154>

Please be informed that the data shown in this PDF document is generated from our online catalog. Please find the complete data in the user documentation. Our general terms of use for downloads are valid.



Power solid-state relay, with LED and protective circuit in input and output circuits, input: 24 V DC, output: 12 - 60 V DC/max. 3 A

Commercial data

Item number	2954154
Packing unit	1 pc
Minimum order quantity	10 pc
Sales key	C460
Product key	CK61C2
Catalog page	Page 140 (IF-2011)
GTIN	4017918084813
Weight per piece (including packing)	90.85 g
Weight per piece (excluding packing)	86.95 g
Customs tariff number	85364190
Country of origin	DE

Technical data

Notes

Utilization restriction

EMC note	EMC: class A product, see manufacturer's declaration in the download area
----------	---

Product properties

Product type	Solid-state relay module
Application	Output function
Operating mode	100% operating factor

Insulation characteristics

Insulation	Basic insulation
------------	------------------

Insulation characteristics

Insulation	Basic insulation
------------	------------------

Electrical properties

Maximum power dissipation for nominal condition	0.17 W
Test voltage (Input/output)	3.5 kV AC (Input/output)

Input data

Nominal input voltage U_N	24 V DC
Input voltage range in reference to U_N	0.8 ... 1.2
Input voltage range	19.2 V DC ... 28.8 V DC
Switching threshold "0" signal in reference to U_N	≤ 0.4
Switching threshold "1" signal in reference to U_N	≥ 0.8
Typical input current at U_N	7 mA
Typical response time	20 μ s
Typical turn-off time	200 μ s
Status display	Yellow LED
Protective circuit	Reverse polarity protection; Polarity protection diode
	Surge protection
Transmission frequency	500 Hz

Output data

Contact switching type	1 N/O contact
Design of digital output	electronic
Output nominal voltage	60 V DC
Output voltage range	12 V DC ... 60 V DC
Limiting continuous current	3 A (see derating curve)
Peak offstate voltage	60 V DC
Voltage drop at max. limiting continuous current	1.2 V

EMG 17-OV- 24DC/ 60DC/3 - Solid-state relay module



2954154

<https://www.phoenixcontact.com/us/products/2954154>

Output circuit	2-conductor, floating
Protective circuit	Reverse polarity protection; Polarity protection diode
	Surge protection

Connection data

Input side

Connection method	Screw connection
Stripping length	8 mm
Screw thread	M3
Conductor cross section rigid	0.2 mm ² ... 4 mm ²
Conductor cross section flexible	0.2 mm ² ... 2.5 mm ²
Conductor cross section AWG	24 ... 12

Output side

Connection method	Screw connection
Stripping length	8 mm
Screw thread	M3
Conductor cross section rigid	0.2 mm ² ... 4 mm ²
Conductor cross section flexible	0.2 mm ² ... 2.5 mm ²
Conductor cross section AWG	24 ... 12

Dimensions

Width	17.5 mm
Height	75 mm
Depth	102 mm

Material specifications

Flammability rating according to UL 94	V0
--	----

Environmental and real-life conditions

Ambient conditions

Degree of protection	IP20
Ambient temperature (operation)	-20 °C ... 60 °C
Ambient temperature (storage/transport)	-20 °C ... 70 °C

Standards and regulations

Standards/regulations	IEC 60664
	EN 50178

Mounting

Mounting type	DIN rail mounting
Assembly instructions	in rows with zero spacing
Mounting position	any

EMG 17-OV- 24DC/ 60DC/3 - Solid-state relay module

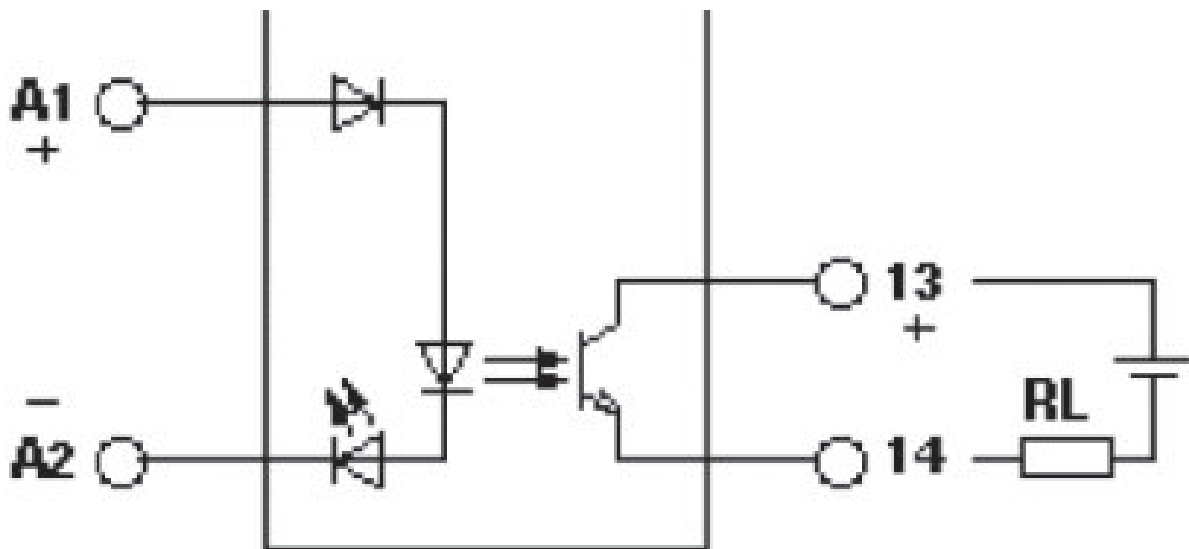


2954154

<https://www.phoenixcontact.com/us/products/2954154>

Drawings

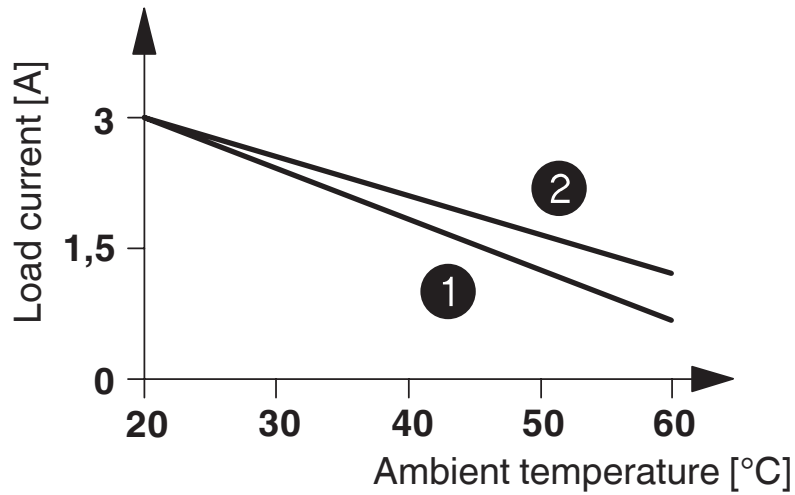
Circuit diagram



2954154

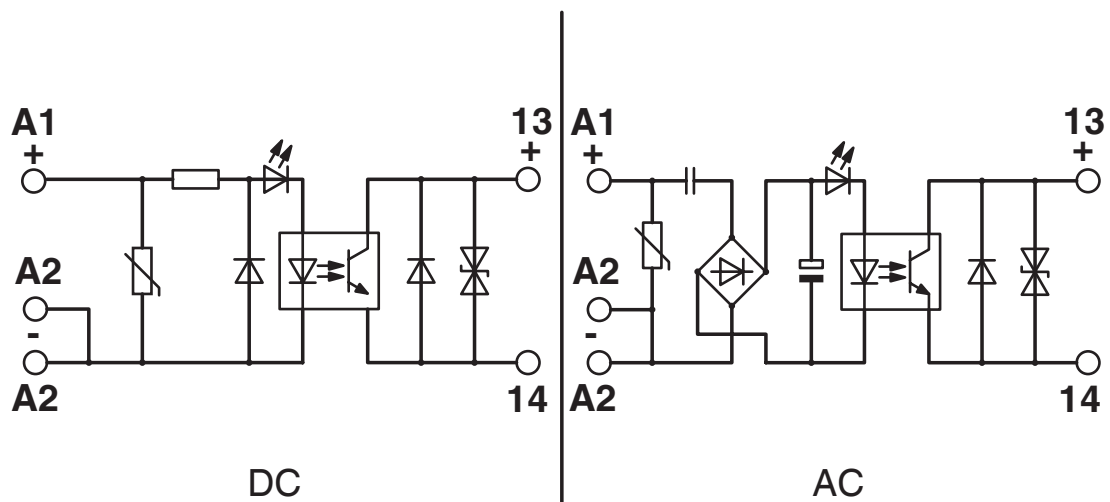
<https://www.phoenixcontact.com/us/products/2954154>

Diagram



- ① In rows with zero spacing
- ② stand-alone device

Circuit diagram



EMG 17-OV- 24DC/ 60DC/3 - Solid-state relay module



2954154

<https://www.phoenixcontact.com/us/products/2954154>

Approvals

To download certificates, visit the product detail page: <https://www.phoenixcontact.com/us/products/2954154>



EAC

Approval ID: TR_TS_D_00573_c



EAC

Approval ID: RU*C-DE.*08.B.00010

EMG 17-OV- 24DC/ 60DC/3 - Solid-state relay module



2954154

<https://www.phoenixcontact.com/us/products/2954154>

Classifications

ECLASS

ECLASS-11.0	27371604
ECLASS-12.0	27371604
ECLASS-13.0	27371604

ETIM

ETIM 9.0	EC001504
----------	----------

UNSPSC

UNSPSC 21.0	39122300
-------------	----------

EMG 17-OV- 24DC/ 60DC/3 - Solid-state relay module



2954154

<https://www.phoenixcontact.com/us/products/2954154>

Environmental product compliance

REACH SVHC	Lead 7439-92-1
	Hexahydromethylphthalic anhydride
China RoHS	Environmentally Friendly Use Period = 50 years
	For information on hazardous substances, refer to the manufacturer's declaration available under "Downloads"

Phoenix Contact 2023 © - all rights reserved
<https://www.phoenixcontact.com>

Phoenix Contact USA
586 Fulling Mill Road
Middletown, PA 17057, United States
(+717) 944-1300
info@phoenixcon.com