

ALU-SB - Shielding foil



1404531

<https://www.phoenixcontact.com/us/products/1404531>

Please be informed that the data shown in this PDF document is generated from our online catalog. Please find the complete data in the user documentation. Our general terms of use for downloads are valid.

Shielding foil, for fixing the braided shield of shielded cables. Length: 4 cm, width: 1.2 cm



Commercial data

Item number	1404531
Packing unit	1 pc
Minimum order quantity	100 pc
Sales key	BF50
Product key	BF6ZWX
Catalog page	Page 480 (C-2-2019)
GTIN	4046356698733
Weight per piece (including packing)	0.251 g
Weight per piece (excluding packing)	0.218 g
Customs tariff number	74102100
Country of origin	DE

ALU-SB - Shielding foil

1404531

<https://www.phoenixcontact.com/us/products/1404531>

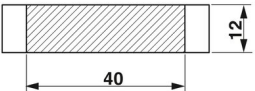


Technical data

Product properties

Product type	Shield connection
--------------	-------------------

Dimensions

Dimensional drawing	
Width	12 mm
Length	40 mm

Material specifications

Material	Copper, tin-plated
----------	--------------------

ALU-SB - Shielding foil

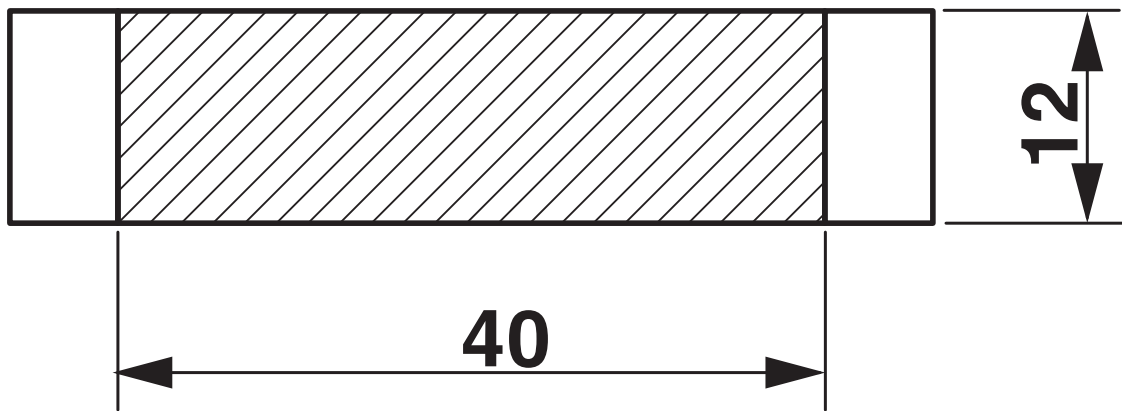
1404531

<https://www.phoenixcontact.com/us/products/1404531>



Drawings

Dimensional drawing



ALU-SB - Shielding foil

1404531

<https://www.phoenixcontact.com/us/products/1404531>



Classifications

ECLASS

ECLASS-11.0	27440192
ECLASS-12.0	27440192
ECLASS-13.0	27440192

ETIM

ETIM 9.0	EC002943
----------	----------

UNSPSC

UNSPSC 21.0	39121400
-------------	----------

ALU-SB - Shielding foil



1404531

<https://www.phoenixcontact.com/us/products/1404531>

Environmental product compliance

China RoHS	Environmentally friendly use period: unlimited = EFUP-e No hazardous substances above threshold values
------------	---

Phoenix Contact 2023 © - all rights reserved
<https://www.phoenixcontact.com>

Phoenix Contact USA
586 Fulling Mill Road
Middletown, PA 17057, United States
(+717) 944-1300
info@phoenixcon.com