

CES-B24-WRG-BK - Flat gasket



0801727

<https://www.phoenixcontact.com/us/products/0801727>

Please be informed that the data shown in this PDF document is generated from our online catalog. Please find the complete data in the user documentation. Our general terms of use for downloads are valid.

Flat gasket made of NBR, size B24



Commercial data

Item number	0801727
Packing unit	1 pc
Minimum order quantity	10 pc
Sales key	BF67
Product key	BF7CZX
Catalog page	Page 676 (C-2-2019)
GTIN	4046356675260
Weight per piece (including packing)	13.44 g
Weight per piece (excluding packing)	3.24 g
Customs tariff number	40169300
Country of origin	DE

CES-B24-WRG-BK - Flat gasket



0801727

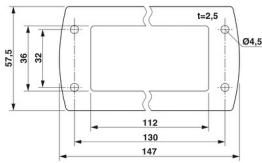
<https://www.phoenixcontact.com/us/products/0801727>

Technical data

Product properties

Type	B24
Product type	Seal

Dimensions

Dimensional drawing	
Width	57.5 mm
Height	2.5 mm
Length	147 mm
Drill hole distance, horizontal	130 mm
Drill hole distance, vertical	32 mm
Hole diameter	4.5 mm

Material specifications

Seal material	NBR
---------------	-----

Environmental and real-life conditions

Ambient conditions

Ambient temperature (operation)	-20 °C ... 80 °C (static)
---------------------------------	---------------------------

CES-B24-WRG-BK - Flat gasket

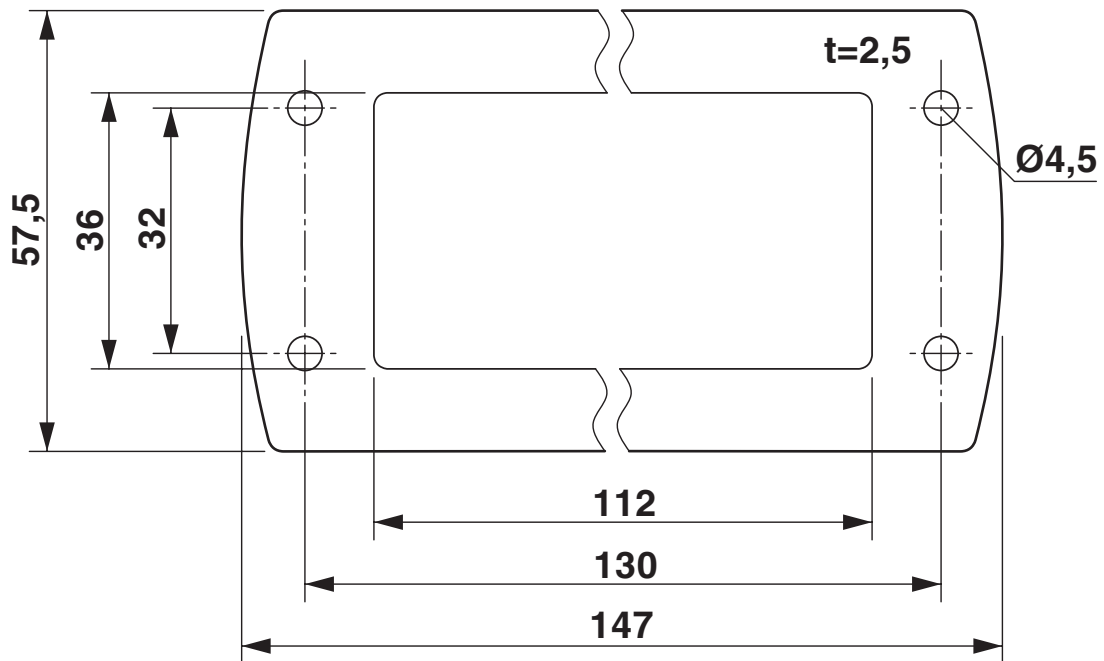


0801727

<https://www.phoenixcontact.com/us/products/0801727>

Drawings

Dimensional drawing



Dimensional drawing

CES-B24-WRG-BK - Flat gasket



0801727

<https://www.phoenixcontact.com/us/products/0801727>

Approvals

🔗 To download certificates, visit the product detail page: <https://www.phoenixcontact.com/us/products/0801727>

DNV

Approval ID: TAE00003VJ

CES-B24-WRG-BK - Flat gasket



0801727

<https://www.phoenixcontact.com/us/products/0801727>

Classifications

ECLASS

ECLASS-11.0	23071590
ECLASS-12.0	23071590
ECLASS-13.0	23071590

ETIM

ETIM 9.0	EC002498
----------	----------

UNSPSC

UNSPSC 21.0	31401600
-------------	----------

CES-B24-WRG-BK - Flat gasket



0801727

<https://www.phoenixcontact.com/us/products/0801727>

Environmental product compliance

China RoHS	Environmentally friendly use period: unlimited = EFUP-e
	No hazardous substances above threshold values

Phoenix Contact 2023 © - all rights reserved
<https://www.phoenixcontact.com>

Phoenix Contact USA
586 Fulling Mill Road
Middletown, PA 17057, United States
(+717) 944-1300
info@phoenixcon.com