

A-SEW-50-P-W - Flat gasket

1411287

<https://www.phoenixcontact.com/us/products/1411287>

Please be informed that the data shown in this PDF document is generated from our online catalog. Please find the complete data in the user documentation. Our general terms of use for downloads are valid.

Flat gasket, for threads M50, color: white



Commercial data

Item number	1411287
Packing unit	1 pc
Minimum order quantity	10 pc
Sales key	BF68
Product key	BF7DZX
Catalog page	Page 658 (C-3-2019)
GTIN	4046356924085
Weight per piece (including packing)	5.7 g
Weight per piece (excluding packing)	3.172 g
Customs tariff number	39269097
Country of origin	GB

A-SEW-50-P-W - Flat gasket

1411287

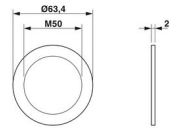
<https://www.phoenixcontact.com/us/products/1411287>

Technical data

Product properties

Product type	Seal
Manufacturer	CMP
Manufacturer Designation	50MM WHITE NYLON ETS 2MM THICK
Manufacturer product number	50ETS2
Thread type	M50

Dimensions

Dimensional drawing	
Height	2 mm
Thread type connection side	M50

Internal dimensions

Internal diameter	50.4 mm
-------------------	---------

Material specifications

Material	Nylon
----------	-------

Environmental and real-life conditions

Ambient conditions

Ambient temperature (operation)	-60 °C ... 130 °C
---------------------------------	-------------------

Mounting

Assembly instructions	for A-EXSH-M...-68L-... / G-ESSWU-M... / G-EDSWU-M... / G-ESS-M...
-----------------------	--

A-SEW-50-P-W - Flat gasket

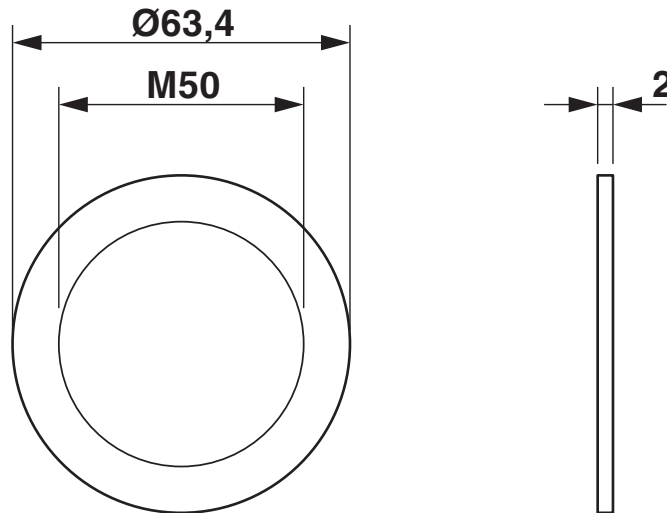
1411287

<https://www.phoenixcontact.com/us/products/1411287>



Drawings

Dimensional drawing



Dimensional drawing

A-SEW-50-P-W - Flat gasket



1411287

<https://www.phoenixcontact.com/us/products/1411287>

Classifications

ECLASS

ECLASS-11.0	27430319
ECLASS-13.0	27430319
ECLASS-12.0	27430319

ETIM

ETIM 9.0	EC001181
----------	----------

UNSPSC

UNSPSC 21.0	39121400
-------------	----------

A-SEW-50-P-W - Flat gasket



1411287

<https://www.phoenixcontact.com/us/products/1411287>

Environmental product compliance

REACH SVHC	Lead 7439-92-1
China RoHS	Environmentally Friendly Use Period = 50 years
	For information on hazardous substances, refer to the manufacturer's declaration available under "Downloads"

Phoenix Contact 2023 © - all rights reserved
<https://www.phoenixcontact.com>

Phoenix Contact USA
586 Fulling Mill Road
Middletown, PA 17057, United States
(+717) 944-1300
info@phoenixcon.com