

# PSR-SCP- 24UC/ESL4/3X1/1X2/B - Safety relays



2981059

<https://www.phoenixcontact.com/us/products/2981059>

Please be informed that the data shown in this PDF document is generated from our online catalog. Please find the complete data in the user documentation. Our general terms of use for downloads are valid.



Safety relay for emergency stop, safety doors, and light grids up to SIL 3, Cat. 4, PL e, 1 or 2-channel operation, automatic or manual, monitored start, 3 enabling current paths,  $U_S = 24 \text{ V DC}$ , plug-in screw terminal block

## Your advantages

- Manually monitored and automatic activation
- Up to Cat. 4/PL e in accordance with ISO 13849-1, SIL 3 in accordance with EN IEC 62061, SIL 3 in accordance with IEC 61508
- Three enabling and one signaling current path
- 1- and 2-channel control

## Commercial data

Item number	2981059
Packing unit	1 pc
Minimum order quantity	1 pc
Sales key	DN01
Product key	DNA123
Catalog page	Page 231 (C-6-2019)
GTIN	4017918927202
Weight per piece (including packing)	193.61 g
Weight per piece (excluding packing)	162.28 g
Customs tariff number	85371098
Country of origin	DE

## Technical data

### Product properties

Product type	Safety relays
Product family	PSRclassic
Application	Emergency stop
	Safety door
	Light grid
Mechanical service life	approx. $10^7$ cycles
Relay type	Electromechanical relay with force-guided contacts in accordance with IEC/EN 61810-3

### Times

Typical response time	125 ms (automatic start)
	110 ms (manual, monitored start)
Typ. starting time with $U_S$	125 ms (when controlled via A1)
Typical release time	10 ms (on demand via the sensor circuit)
	45 ms (on demand via A1)
Restart time	< 1 s (Boot time)
Recovery time	1 s (following demand of the safety function)

### Electrical properties

Maximum power dissipation for nominal condition	16.44 W (at $U_S = 26.4$ V, $I_L^2 = 72$ A <sup>2</sup> ; $P_{Total\ max} = 2.04$ W + 14.4 W)
Nominal operating mode	100% operating factor

### Air clearances and creepage distances between the power circuits

Rated insulation voltage	250 V
	250 V
Rated surge voltage/insulation	See section "Insulation coordination"

### Supply

Rated control circuit supply voltage $U_S$	24 V DC -15 % / +10 %
Rated control supply current $I_S$	typ. 70 mA (at $U_S$ )
Power consumption at $U_S$	typ. 1.68 W
Inrush current	< 3.5 A (typically with $U_S$ , $\Delta t = 3$ ms)
Filter time	5 ms (in the event of voltage dips at $U_S$ , no test pulses allowed)
Protective circuit	Serial protection against polarity reversal; Suppressor diode

### Input data

#### Digital: Logic (S12, S22)

Description of the input	safety-related
Number of inputs	2
Input voltage range "0" signal	0 V DC ... 5 V DC
Input voltage range "1" signal	20.4 V ... 26.4 V
Input current range "0" signal	0 mA ... 2 mA

# PSR-SCP- 24UC/ESL4/3X1/1X2/B - Safety relays



2981059

<https://www.phoenixcontact.com/us/products/2981059>

Inrush current	max. 110 mA (typically with $U_S$ , $\Delta t = 3$ ms)
Filter time	max. 2 ms (Test pulse width low test pulses, at 100 ms test pulse rate)
	No brightness test pulses / high test pulses permitted.
Concurrency	$\infty$
Max. permissible overall conductor resistance	50 $\Omega$
Protective circuit	Suppressor diode
Current consumption	38 mA (typically with $U_S$ )

## Digital: Start circuit (S34, S35)

Description of the input	non-safety-related
Number of inputs	2
Input voltage range "1" signal	20.4 V ... 26.4 V
Inrush current	< 6 mA (typically with $U_S$ at S34/35, $\Delta t = 70$ ms)
Filter time	No test pulses permitted
Max. permissible overall conductor resistance	50 $\Omega$
Protective circuit	Suppressor diode
Current consumption	0 mA (Typically with $U_S$ at S34)
	1 mA (Typically with $U_S$ at S35)

## Output data

### Relay: Enabling current paths (13/14, 23/24, 33/34)

Output description	2 N/O contacts each in series, safety-related, floating
Number of outputs	3
Contact switching type	3 enabling current paths
Contact material	AgSnO <sub>2</sub>
Switching voltage	min. 10 V
	max. 250 V AC
Switching capacity	min. 100 mW
Inrush current	min. 10 mA
	max. 6 A
Switching capacity in accordance with IEC 60947-5-1	5 A (AC15)
	6 A (DC13)
Limiting continuous current	6 A (Observe derating and load limit curve)
Sq. Total current	72 A <sup>2</sup> (observe derating)
Switching frequency	max. 0.5 Hz
Mechanical service life	10x 10 <sup>6</sup> cycles
Output fuse	10 A gL/gG
	4 A gL/gG (for low-demand applications)

### Relay: Signaling current path (41/42)

Output description	2 N/C contacts parallel, non-safety-related, floating
Number of outputs	1
Contact switching type	1 signaling current path
Contact material	AgSnO <sub>2</sub>

# PSR-SCP- 24UC/ESL4/3X1/1X2/B - Safety relays



2981059

<https://www.phoenixcontact.com/us/products/2981059>

Switching voltage	min. 10 V AC/DC
	max. 250 V AC
Switching capacity	min. 100 mW
Inrush current	min. 10 mA
	max. 6 A
Switching capacity in accordance with IEC 60947-5-1	1.5 A (AC15)
	2 A (DC13)
Limiting continuous current	6 A
Sq. Total current	36 A <sup>2</sup> (observe derating)
Switching frequency	max. 0.5 Hz
Mechanical service life	10x 10 <sup>6</sup> cycles
Output fuse	6 A gL/gG

## Connection data

### Connection technology

pluggable	yes
-----------	-----

### Conductor connection

Connection method	Screw connection
Conductor cross section rigid	0.2 mm <sup>2</sup> ... 2.5 mm <sup>2</sup>
Conductor cross section flexible	0.2 mm <sup>2</sup> ... 2.5 mm <sup>2</sup>
Conductor cross-section AWG	24 ... 12
Stripping length	7 mm
Screw thread	M3
Tightening torque	0.5 Nm ... 0.6 Nm

## Signaling

Status display	2 x green LEDs
Operating voltage display	1 x green LED

## Dimensions

Width	22.5 mm
Height	112.2 mm
Depth	114.5 mm

## Material specifications

Housing material	Polyamide
------------------	-----------

## Characteristics

### Safety data

Stop category	0
---------------	---

### Safety data: EN ISO 13849

Category	4
Performance level (PL)	e (5 A DC13; 5 A AC15; 8760 switching cycles/year)

2981059

<https://www.phoenixcontact.com/us/products/2981059>

Safety data: IEC 61508 - High demand

Safety Integrity Level (SIL)	3
------------------------------	---

Safety data: IEC 61508 - Low demand

Safety Integrity Level (SIL)	3
------------------------------	---

Safety data: EN IEC 62061

Safety Integrity Level (SIL)	3
------------------------------	---

## Environmental and real-life conditions

Ambient conditions

Degree of protection	IP20
Min. degree of protection of inst. location	IP54
Ambient temperature (operation)	-20 °C ... 55 °C (observe derating)
Ambient temperature (storage/transport)	-40 °C ... 70 °C
Maximum altitude	≤ 2000 m (Above sea level)
Max. permissible humidity (storage/transport)	75 % (on average, 85% infrequently, non-condensing)
Max. permissible relative humidity (operation)	75 % (on average, 85% infrequently, non-condensing)
Shock	15g
Vibration (operation)	10 Hz ... 150 Hz, amplitude 0.15 mm, 2g

## Approvals

CE

Identification	CE-compliant
----------------	--------------

## Standards and regulations

Air clearances and creepage distances between the power circuits

Standards/regulations	DIN EN 60947-1
-----------------------	----------------

## Mounting

Mounting type	DIN rail mounting
Assembly instructions	See derating curve
Mounting position	vertical or horizontal
Connection method	Screw connection

# PSR-SCP- 24UC/ESL4/3X1/1X2/B - Safety relays

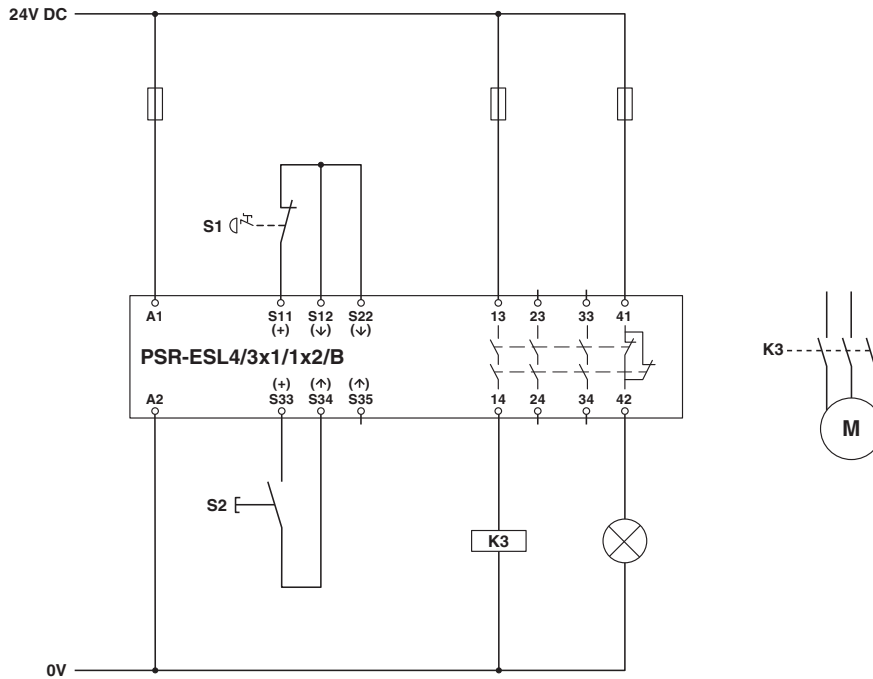


2981059

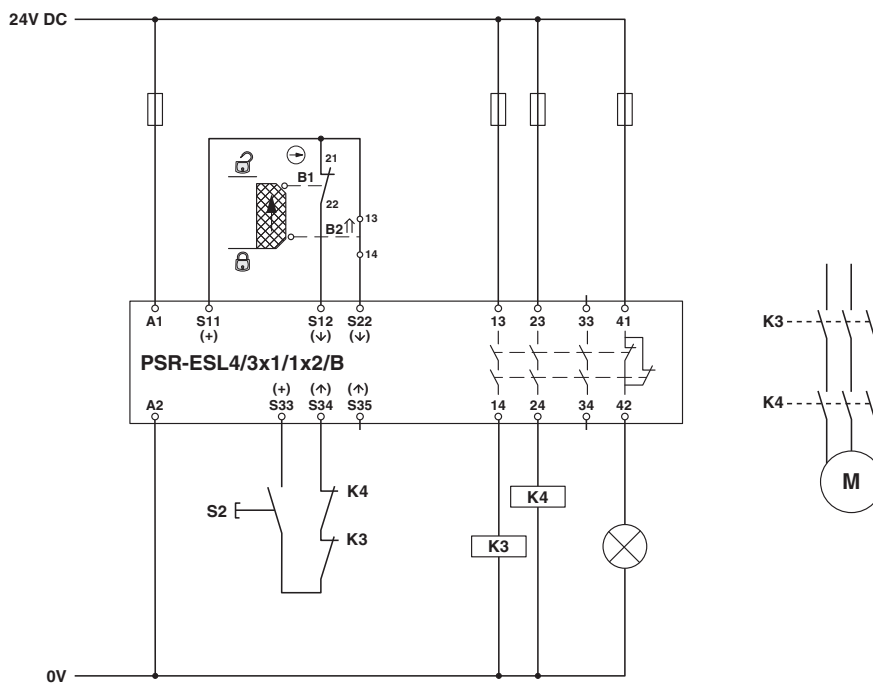
<https://www.phoenixcontact.com/us/products/2981059>

## Drawings

Circuit diagram



Circuit diagram

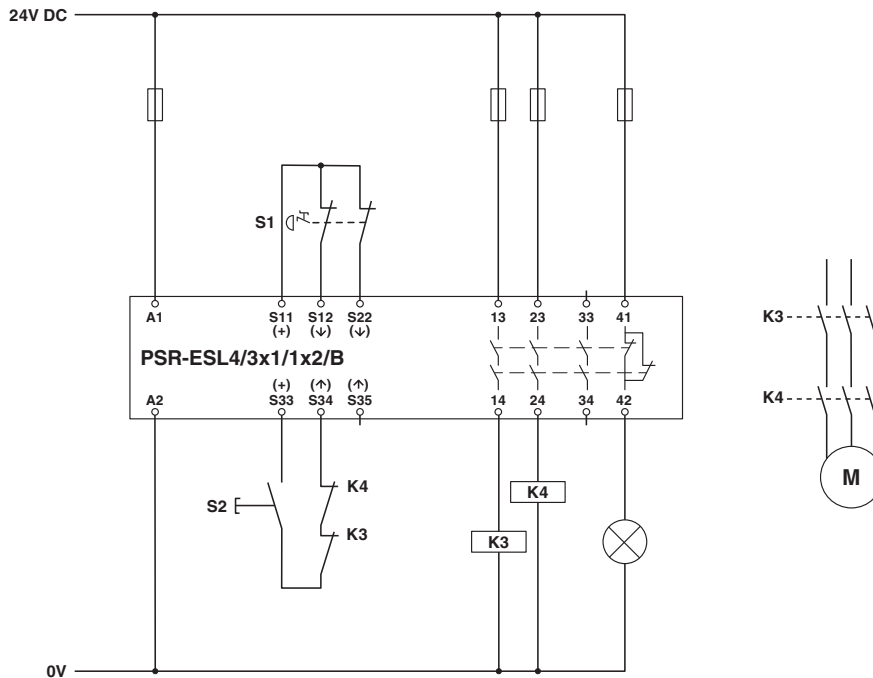


# PSR-SCP- 24UC/ESL4/3X1/1X2/B - Safety relays

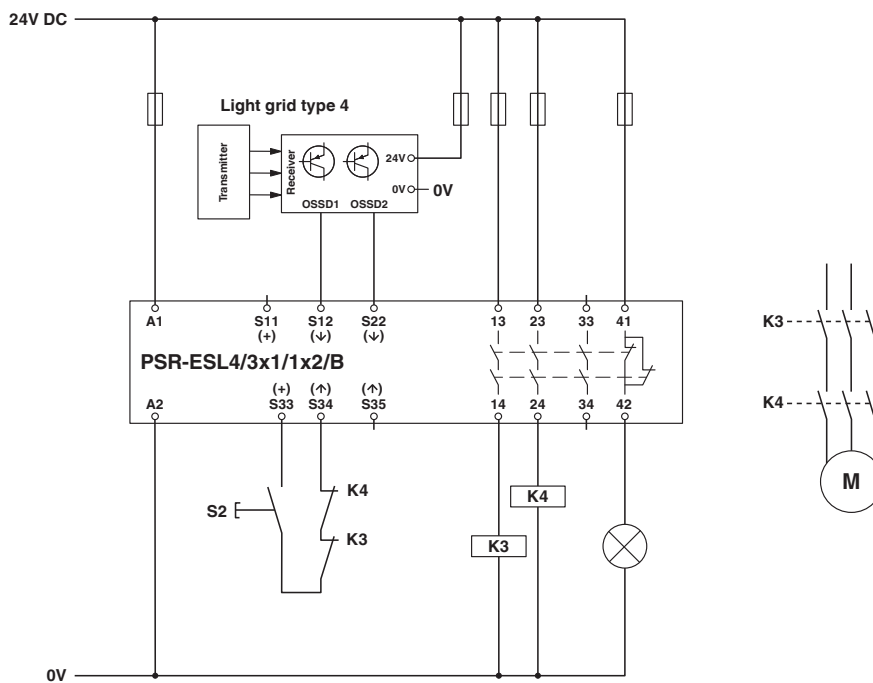
2981059

<https://www.phoenixcontact.com/us/products/2981059>

Circuit diagram



Circuit diagram



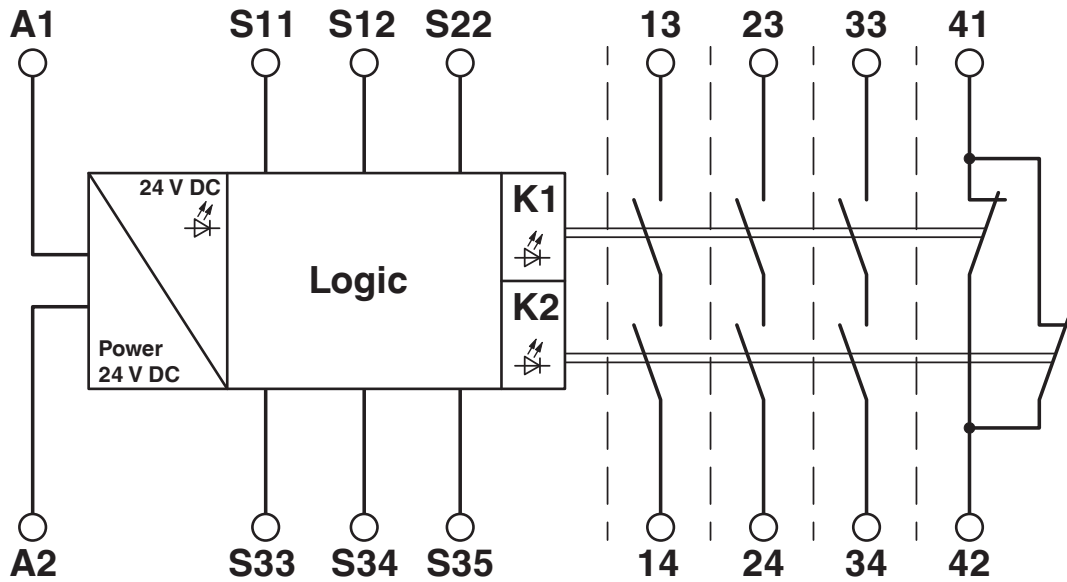
# PSR-SCP- 24UC/ESL4/3X1/1X2/B - Safety relays



2981059

<https://www.phoenixcontact.com/us/products/2981059>

Circuit diagram





# PSR-SCP- 24UC/ESL4/3X1/1X2/B - Safety relays



2981059

<https://www.phoenixcontact.com/us/products/2981059>

## Approvals

To download certificates, visit the product detail page: <https://www.phoenixcontact.com/us/products/2981059>



**EAC**

Approval ID: TR\_TS\_D\_00573\_c



**UL Listed**

Approval ID: FILE E 140324



**cUL Listed**

Approval ID: FILE E 140324



**Functional Safety**

Approval ID: 01/205/5265.03/22



**EAC**

Approval ID: TR\_TS\_D\_00573\_c



**cUL Listed**

Approval ID: FILE E 140324



**UL Listed**

Approval ID: FILE E 140324



**Functional Safety**

Approval ID: 01/205/5265.03/22

**Functional Safety**

Approval ID: 968/EZ409.04/22

**Functional Safety**

Approval ID: 968/EZ409.04/22

# PSR-SCP- 24UC/ESL4/3X1/1X2/B - Safety relays



2981059

<https://www.phoenixcontact.com/us/products/2981059>

## Classifications

### ECLASS

ECLASS-11.0	27371819
ECLASS-13.0	27371819
ECLASS-12.0	27371819

### ETIM

ETIM 9.0	EC001449
----------	----------

### UNSPSC

UNSPSC 21.0	39122200
-------------	----------

# PSR-SCP- 24UC/ESL4/3X1/1X2/B - Safety relays



2981059

<https://www.phoenixcontact.com/us/products/2981059>

## Environmental product compliance

China RoHS	Environmentally Friendly Use Period = 50 years For information on hazardous substances, refer to the manufacturer's declaration available under "Downloads"
------------	----------------------------------------------------------------------------------------------------------------------------------------------------------------

2981059

<https://www.phoenixcontact.com/us/products/2981059>

## Accessories

### CP-MSTB - Coding profile

1734634

<https://www.phoenixcontact.com/us/products/1734634>

Coding profile, is inserted into the slot on the plug or inverted header, red insulating material



---

### CR-MSTB - Coding section

1734401

<https://www.phoenixcontact.com/us/products/1734401>

Coding section, inserted into the recess in the header or the inverted plug, red insulating material



---

Phoenix Contact 2023 © - all rights reserved

<https://www.phoenixcontact.com>

Phoenix Contact USA  
586 Fulling Mill Road  
Middletown, PA 17057, United States  
(+717) 944-1300  
[info@phoenixcon.com](mailto:info@phoenixcon.com)