

# PSR-SCP- 24UC/ESA2/4X1/1X2/B - Safety relays



2963802

<https://www.phoenixcontact.com/us/products/2963802>

Please be informed that the data shown in this PDF document is generated from our online catalog. Please find the complete data in the user documentation. Our general terms of use for downloads are valid.



Safety relay for emergency stop and safety door up to SIL 1, Cat. 1, PL c, depending on the application up to SIL 3, Cat. 4, PL e, single-channel operation, 4 enabling current paths,  $U_S = 24 \text{ V DC}$ , plug-in screw terminal blocks

## Your advantages

- Up to Cat. 1/PL c in accordance with ISO 13849-1, SIL 1 in accordance with EN IEC 62061, SIL 1 in accordance with IEC 61508
- Depending on the application, up to Cat. 4/PL e in accordance with ISO 13849-1, SIL 3 in accordance with EN IEC 62061, SIL 3 in accordance with IEC 61508
- Basic insulation
- 1-channel control

## Commercial data

Item number	2963802
Packing unit	1 pc
Minimum order quantity	1 pc
Sales key	DN01
Product key	DNA111
Catalog page	Page 229 (C-6-2019)
GTIN	4017918892661
Weight per piece (including packing)	212.4 g
Weight per piece (excluding packing)	210.5 g
Customs tariff number	85371098
Country of origin	DE

## Technical data

### Product properties

Product type	Safety relays
Product family	PSRclassic
Application	Emergency stop Safety door
Mechanical service life	10x 10 <sup>6</sup> cycles
Relay type	Electromechanical relay with force-guided contacts in accordance with IEC/EN 61810-3

### Electrical properties

Maximum power dissipation for nominal condition	1.56 W
Nominal operating mode	100% operating factor

### Air clearances and creepage distances between the power circuits

Rated insulation voltage	250 V AC
Rated surge voltage/insulation	Basic insulation 4 kV: between all current paths and housing Safe isolation, reinforced insulation 6 kV: between A1/A2 and 13/14, 23/24, 33/34, 43/44 between S11/S12/S33/S34 and 13/14, 23/24, 33/34, 43/44 between 51/52 and 13/14, 23/24, 33/34, 43/44

### Input data

#### General

Rated control circuit supply voltage $U_S$	24 V AC/DC -15 % / +10 %
Power consumption at $U_S$	typ. 3.36 W (AC) typ. 1.56 W (DC)
Rated control supply current $I_S$	typ. 140 mA AC typ. 65 mA DC
Inrush current	2 A ( $\Delta t = 10$ ms at $U_S$ ) < 40 mA (with $U_S/I_x$ to S34)
Current consumption	< 50 mA (with $U_S/I_x$ to S12) 0 mA (with $U_S/I_x$ to S34)
Voltage at input/start and feedback circuit	24 V DC -15 % / +10 %
Filter time	2 ms (at A1 in the event of voltage dips at $U_S$ ) max. 1.5 ms (at S12; test pulse width) 7.5 ms (at S12; test pulse rate) Test pulse rate = 5 x Test pulse width
Typical response time	< 65 ms (automatic start) < 40 ms (manual start)
Typ. starting time with $U_S$	< 65 ms (when controlled via A1)
Typical release time	< 45 ms (when controlled via S12) < 200 ms (when controlled via A1)

# PSR-SCP- 24UC/ESA2/4X1/1X2/B - Safety relays



2963802

<https://www.phoenixcontact.com/us/products/2963802>

Recovery time	< 1 s
Maximum switching frequency	1 Hz
Protective circuit	Surge protection; Suppressor diode Protection against polarity reversal for rated control circuit supply voltage
Max. permissible overall conductor resistance	approx. 22 Ω (Input and start circuits at U <sub>S</sub> )
Operating voltage display	1 x green LED
Status display	2 x green LEDs

## Output data

Contact switching type	4 enabling current paths
	1 signaling current path
Contact material	AgSnO <sub>2</sub>
Maximum switching voltage	250 V AC/DC (Observe the load curve)
Minimum switching voltage	5 V AC/DC
Limiting continuous current	6 A (N/O contact, pay attention to the derating)
	6 A (N/C contact)
Maximum inrush current	20 A ( $\Delta t \leq 100$ ms)
Inrush current, minimum	10 mA
Sq. Total current	72 A <sup>2</sup> (observe derating)
Interrupting rating (ohmic load) max.	144 W (24 V DC, $\tau = 0$ ms)
	288 W (48 V DC, $\tau = 0$ ms)
	110 W (110 V DC, $\tau = 0$ ms)
	88 W (220 V DC, $\tau = 0$ ms)
	1500 VA (250 V AC, $\tau = 0$ ms)
Maximum interrupting rating (inductive load)	42 W (24 V DC, $\tau = 40$ ms)
	42 W (48 V DC, $\tau = 40$ ms)
	42 W (110 V DC, $\tau = 40$ ms)
	42 W (220 V DC, $\tau = 40$ ms)
Switching capacity min.	50 mW
Switching capacity (360/h cycles)	4 A (24 V DC)
	4 A (230 V AC)
Switching capacity (3600/h cycles)	2.5 A (24 V (DC13))
	3 A (230 V (AC15))
Output fuse	10 A gL/gG (N/O contact)
	6 A gL/gG (N/C contact)

## Connection data

### Connection technology

pluggable	yes
-----------	-----

### Conductor connection

Connection method	Screw connection
Conductor cross section rigid	0.2 mm <sup>2</sup> ... 2.5 mm <sup>2</sup>

# PSR-SCP- 24UC/ESA2/4X1/1X2/B - Safety relays



2963802

<https://www.phoenixcontact.com/us/products/2963802>

Conductor cross section flexible	0.2 mm <sup>2</sup> ... 2.5 mm <sup>2</sup>
Conductor cross-section AWG	24 ... 12
Stripping length	7 mm
Screw thread	M3

## Dimensions

Width	22.5 mm
Height	99 mm
Depth	114.5 mm

## Material specifications

Housing material	Polyamide
------------------	-----------

## Characteristics

### Safety data

Stop category	0
---------------	---

### Safety data: EN ISO 13849

Category	1 (up to Cat. 4 depending on the application)
Performance level (PL)	c (up to PL e depending on the application)

### Safety data: IEC 61508 - High demand

Safety Integrity Level (SIL)	1 (up to SIL 3 depending on the application)
------------------------------	--

### Safety data: IEC 61508 - Low demand

Safety Integrity Level (SIL)	1 (up to SIL 3 depending on the application)
------------------------------	--

### Safety data: EN IEC 62061

Safety Integrity Level (SIL)	1 (up to SIL 3 depending on the application)
------------------------------	--

## Environmental and real-life conditions

### Ambient conditions

Degree of protection	IP20
Min. degree of protection of inst. location	IP54
Ambient temperature (operation)	-20 °C ... 65 °C (observe derating)
Ambient temperature (storage/transport)	-40 °C ... 70 °C
Maximum altitude	≤ 2000 m (Above sea level)
Max. permissible humidity (storage/transport)	75 % (on average, 85% infrequently, non-condensing)
Max. permissible relative humidity (operation)	75 % (on average, 85% infrequently, non-condensing)
Shock	15g
Vibration (operation)	10 Hz ... 150 Hz, 2g

## Approvals

### CE

Certificate	CE-compliant
-------------	--------------

# PSR-SCP- 24UC/ESA2/4X1/1X2/B - Safety relays



2963802

<https://www.phoenixcontact.com/us/products/2963802>

## Standards and regulations

Air clearances and creepage distances between the power circuits

Standards/regulations	DIN EN 60947-1
	DIN EN 60664-1

## Mounting

Mounting type	DIN rail mounting
Assembly instructions	See derating curve
Mounting position	vertical or horizontal
Connection method	Screw connection

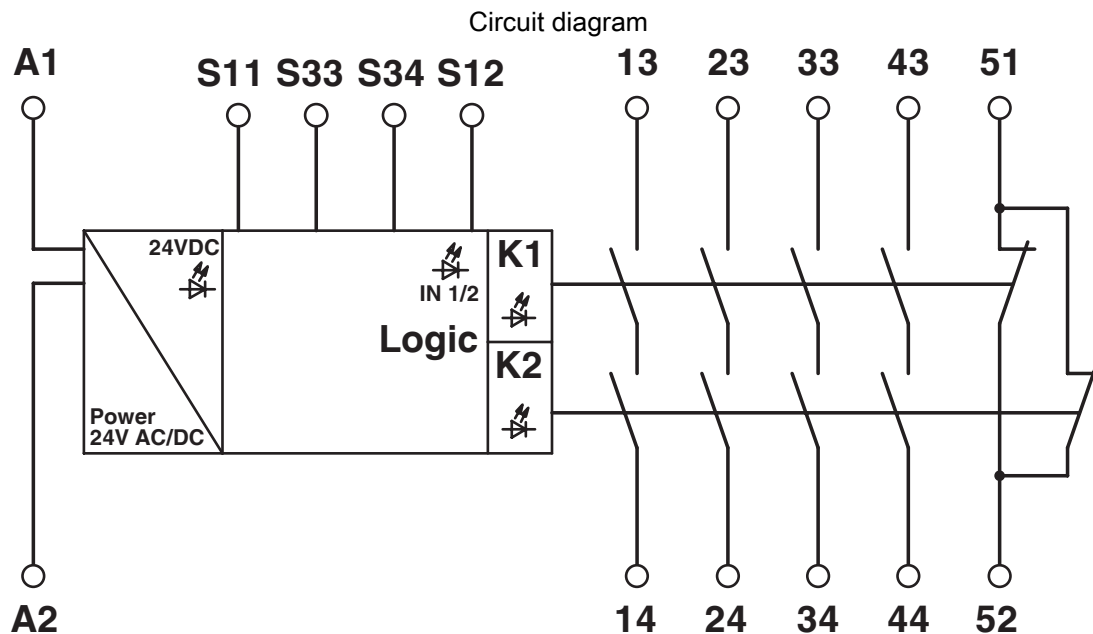
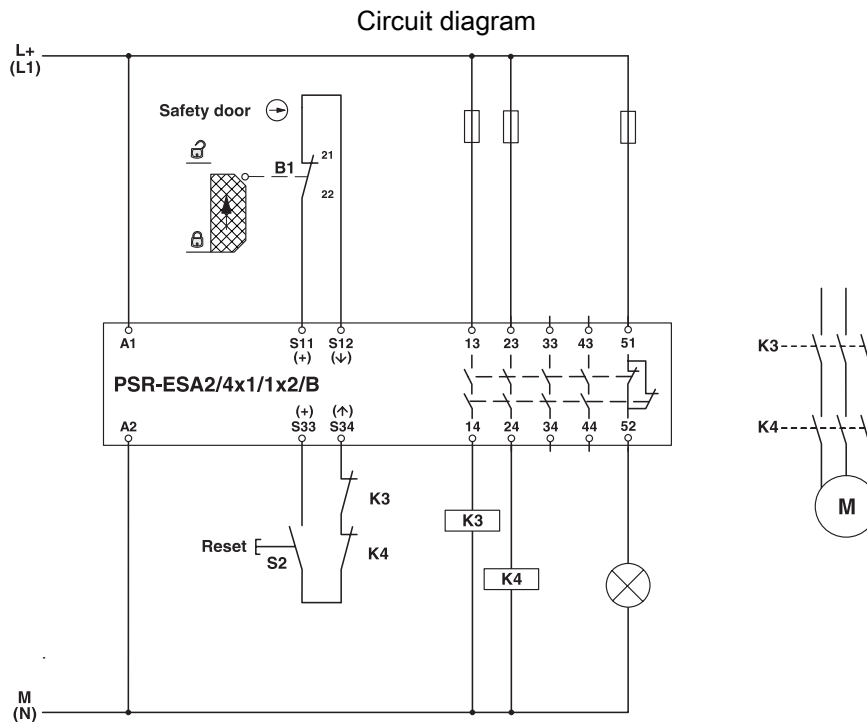
# PSR-SCP- 24UC/ESA2/4X1/1X2/B - Safety relays



2963802

<https://www.phoenixcontact.com/us/products/2963802>

## Drawings



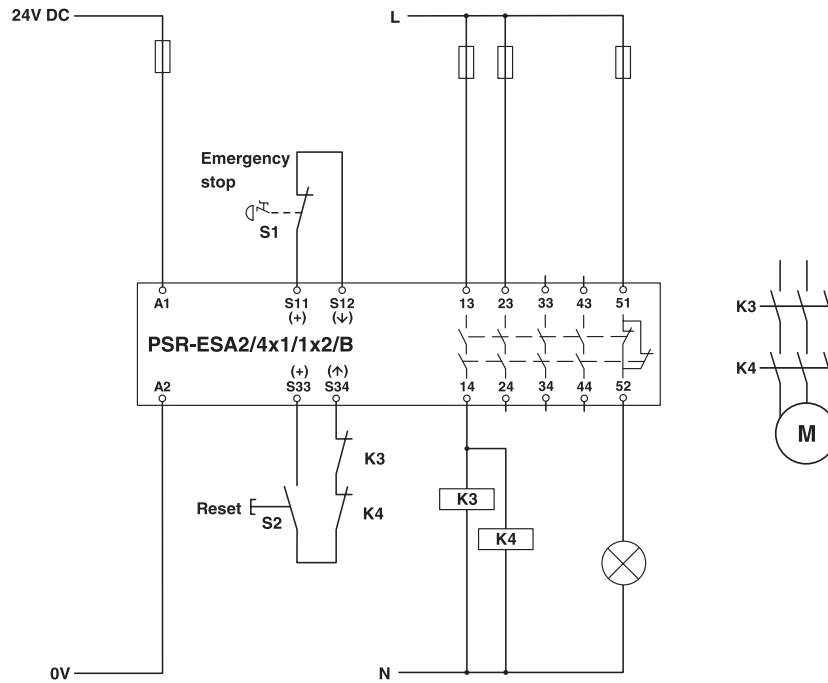
# PSR-SCP- 24UC/ESA2/4X1/1X2/B - Safety relays



2963802

<https://www.phoenixcontact.com/us/products/2963802>

Circuit diagram



2963802

<https://www.phoenixcontact.com/us/products/2963802>

## Approvals

To download certificates, visit the product detail page: <https://www.phoenixcontact.com/us/products/2963802>



**EAC**

Approval ID: TR\_TS\_D\_00573\_c



**UL Listed**

Approval ID: FILE E 140324



**cUL Listed**

Approval ID: FILE E 140324



**Functional Safety**

Approval ID: 01/205/0653.03/21



**EAC**

Approval ID: TR\_TS\_D\_00573\_c



**cUL Listed**

Approval ID: FILE E 140324



**UL Listed**

Approval ID: FILE E 140324



**Functional Safety**

Approval ID: 01/205/0653.03/21

**Functional Safety**

Approval ID: 968/EZ405.03/21

**Functional Safety**

Approval ID: 968/EZ405.03/21



# PSR-SCP- 24UC/ESA2/4X1/1X2/B - Safety relays



2963802

<https://www.phoenixcontact.com/us/products/2963802>

## Classifications

### ECLASS

ECLASS-11.0	27371819
ECLASS-13.0	27371819
ECLASS-12.0	27371819

### ETIM

ETIM 9.0	EC001449
----------	----------

### UNSPSC

UNSPSC 21.0	39122200
-------------	----------

# PSR-SCP- 24UC/ESA2/4X1/1X2/B - Safety relays



2963802

<https://www.phoenixcontact.com/us/products/2963802>

## Environmental product compliance

REACH SVHC	Lead 7439-92-1
China RoHS	Environmentally Friendly Use Period = 50 years
	For information on hazardous substances, refer to the manufacturer's declaration available under "Downloads"

Phoenix Contact 2023 © - all rights reserved

<https://www.phoenixcontact.com>

Phoenix Contact USA  
586 Fulling Mill Road  
Middletown, PA 17057, United States  
(+717) 944-1300  
[info@phoenixcon.com](mailto:info@phoenixcon.com)