

# A-EXB-20-66L-N-S - Pressure compensation element



1411117

<https://www.phoenixcontact.com/us/products/1411117>

Please be informed that the data shown in this PDF document is generated from our online catalog. Please find the complete data in the user documentation. Our general terms of use for downloads are valid.

Pressure compensation element, application: Ex, connecting thread: M20 x 1.5, color: silver



## Your advantages

- Reduces the formation of condensation

## Commercial data

Item number	1411117
Packing unit	1 pc
Minimum order quantity	5 pc
Sales key	BF68
Product key	BF7DDX
Catalog page	Page 655 (C-3-2019)
GTIN	4046356922326
Weight per piece (including packing)	101.46 g
Weight per piece (excluding packing)	98 g
Customs tariff number	74198090
Country of origin	GB

# A-EXB-20-66L-N-S - Pressure compensation element



1411117

<https://www.phoenixcontact.com/us/products/1411117>

## Technical data

### Product properties

Product type	Pressure compensation element
Application	Ex
Manufacturer	CMP
Manufacturer Designation	781 M20(M) N.PLTD BREATH/DRAIN PLUG
Manufacturer product number	781EM25
Air flow rate	48 l/min (at 1□bar)

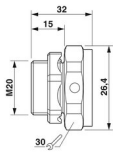
### Connection data

Tightening torque	7 Nm (Installation torque)
-------------------	----------------------------

### Ex data

Suited for EX-applications	yes
----------------------------	-----

### Dimensions

Dimensional drawing	
Length	32 mm
Length of the connecting thread	15 mm
Length without connecting thread	17 mm
Diameter	20 mm
Connecting thread diameter	20 mm
Wrench size, union nut	30 mm
Hexagon angular dimension	33 mm
Thread type connection side	M20 x 1.5
Thread pitch	1.5 mm

### Material specifications

Color	Brass
Material	Brass, nickel-plated
Seal material O-ring	Silicon

### Environmental and real-life conditions

#### Ambient conditions

Degree of protection	IP66
Ambient temperature (operation)	-60 °C ... 130 °C

### Approvals

# A-EXB-20-66L-N-S - Pressure compensation element



1411117

<https://www.phoenixcontact.com/us/products/1411117>

ATEX	Sira 10ATEX1307U 781D: Ex II 2 GD Exd IIC Gb, Ex ta IIIC Da, 781E: Ex II 2 GD Exe IIC Gb, Ex ta IIIC Da
IECEX	IECEX SIR 10.0149U 781D: Ex d IIC Gb, Ex ta IIIC Da 781E: Ex e IIC Gb, Ex ta IIIC Da

## Standards and regulations

### IEC Ex

Standards/specifications	IEC 60079-0, -1, -7, -31
--------------------------	--------------------------

### EN Ex

Standards/specifications	EN 60079-0, -1, -7, -31
--------------------------	-------------------------

## Mounting

Assembly instructions	Mount at the lowest point of the housing, including ribbed counter nut (ensure correct orientation when mounting, the grooved side must be pointing towards the wall)
-----------------------	---

# A-EXB-20-66L-N-S - Pressure compensation element

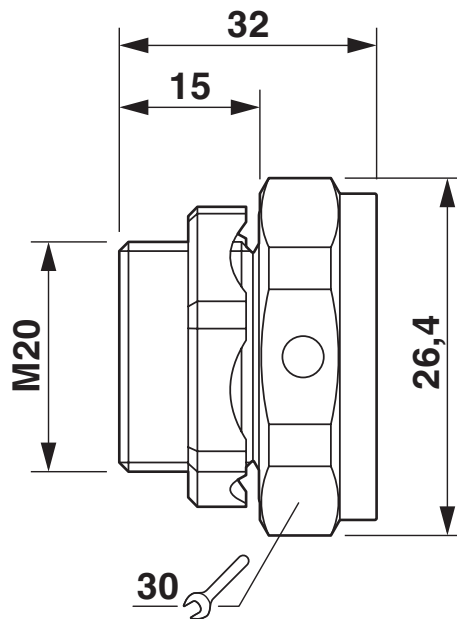


1411117

<https://www.phoenixcontact.com/us/products/1411117>

## Drawings

Dimensional drawing



# A-EXB-20-66L-N-S - Pressure compensation element



1411117

<https://www.phoenixcontact.com/us/products/1411117>

## Approvals

To download certificates, visit the product detail page: <https://www.phoenixcontact.com/us/products/1411117>



**EAC Ex**

Approval ID: RU C-GB.AA87.B.00487



**IECEX**

Approval ID: IECEX SIR 10.0149U



**CSA**

Approval ID: 113642\_0\_000



**CSAus**

Approval ID: 113642\_0\_000



**ATEX**

Approval ID: CML 18ATEX1330U

**cCSAus**

# A-EXB-20-66L-N-S - Pressure compensation element



1411117

<https://www.phoenixcontact.com/us/products/1411117>

## Classifications

### ECLASS

ECLASS-11.0	27440192
ECLASS-12.0	27440192
ECLASS-13.0	27440192

### ETIM

ETIM 9.0	EC002943
----------	----------

### UNSPSC

UNSPSC 21.0	39121400
-------------	----------

# A-EXB-20-66L-N-S - Pressure compensation element



1411117

<https://www.phoenixcontact.com/us/products/1411117>

## Environmental product compliance

REACH SVHC	Lead 7439-92-1
China RoHS	Environmentally Friendly Use Period = 50 years
	For information on hazardous substances, refer to the manufacturer's declaration available under "Downloads"

Phoenix Contact 2023 © - all rights reserved

<https://www.phoenixcontact.com>

Phoenix Contact USA  
586 Fulling Mill Road  
Middletown, PA 17057, United States  
(+717) 944-1300  
[info@phoenixcon.com](mailto:info@phoenixcon.com)