

# MINI MCR-SL-PTB - Power terminal block



2864134

<https://www.phoenixcontact.com/us/products/2864134>

Please be informed that the data shown in this PDF document is generated from our online catalog. Please find the complete data in the user documentation. Our general terms of use for downloads are valid.



MCR power terminal block for supplying several MINI Analog modules via the DIN rail connector, with screw connection, maximum current consumption of up to 2 A

## Product description

The 6.2 mm wide MINI MCR-SL-PTB... power terminal is used for supplying the DIN rail connector with supply voltage.

Two separate voltage inputs allow a redundant voltage supply of 24 V DC and a maximum current of 2 A.

A green LED on the front panel lights up when there is supply voltage on the DIN rail connector. Red LEDs indicate supply voltages connected with reversed polarity. When the supply voltage has been connected correctly, the red LED extinguishes.

## Your advantages

- For supplying the supply voltage via the foot element (DIN rail connector) where DC voltages of up to 30 V are already available
- Status and error indication via diagnostic LEDs
- For up to 2 A
- For up to 80 MINI analog modules
- Redundant supply decoupled from diode possible

## Commercial data

Item number	2864134
Packing unit	1 pc
Minimum order quantity	1 pc
Sales key	C403
Product key	CK12ZZ
Catalog page	Page 118 (C-7-2015)
GTIN	4017918974770
Weight per piece (including packing)	86.8 g
Weight per piece (excluding packing)	69.5 g
Customs tariff number	85437090
Country of origin	DE

# MINI MCR-SL-PTB - Power terminal block



2864134

<https://www.phoenixcontact.com/us/products/2864134>

## Technical data

### Notes

#### Utilization restriction

EMC note	EMC: class A product, see manufacturer's declaration in the download area
----------	---

### Product properties

Product type	Power module
Product family	MINI Analog

### Input data

Input voltage range DC	20 V DC ... 30 V DC
Max. input current	2 A
Reverse polarity protection	yes

### Output data

Output voltage range	Input voltage - 0.8 V
----------------------	-----------------------

### Connection data

#### Input

Connection method	Screw connection
Conductor cross section, rigid min.	0.2 mm <sup>2</sup>
Conductor cross section, rigid max.	2.5 mm <sup>2</sup>
Conductor cross section flexible min.	0.2 mm <sup>2</sup>
Conductor cross section flexible max.	2.5 mm <sup>2</sup>
Conductor cross section AWG min.	26
Conductor cross section AWG max.	12
Stripping length	12 mm
Screw thread	M3

### Signaling

Status display	Green LED (supply)
Error indication	Red LED

### Dimensions

Dimensional drawing	
---------------------	--

# MINI MCR-SL-PTB - Power terminal block



2864134

<https://www.phoenixcontact.com/us/products/2864134>

Width	6.2 mm
Height	93.1 mm
Depth	102.5 mm

## Material specifications

Housing material	PBT
Fire protection for rail vehicles (DIN EN 45545-2) R22	HL 1 - HL 2
Fire protection for rail vehicles (DIN EN 45545-2) R23	HL 1 - HL 2
Fire protection for rail vehicles (DIN EN 45545-2) R24	HL 1 - HL 2

## Environmental and real-life conditions

### Ambient conditions

Degree of protection	IP20
Ambient temperature (operation)	-20 °C ... 65 °C
Ambient temperature (storage/transport)	-40 °C ... 85 °C
Maximum altitude	≤ 2000 m
Permissible humidity (operation)	5 % ... 95 % (non-condensing)

## Approvals

### CE

Certificate	CE-compliant
-------------	--------------

### UKCA

Certificate	UKCA-compliant
-------------	----------------

### UL, USA/Canada

Identification	UL 508 Listed
----------------	---------------

### Shipbuilding approval

Certificate	DNV GL TAA000020N
-------------	-------------------

### DNV GL data

Temperature	B
Humidity	B
Vibration	B
EMC	A
Enclosure	Required protection according to the Rules shall be provided upon installation on board

## EMC data

Noise immunity	EN 61000-6-2
Note	When being exposed to interference, there may be minimal deviations.
Electromagnetic compatibility	Conformance with EMC directive
Noise emission	EN 61000-6-4

# MINI MCR-SL-PTB - Power terminal block



2864134

<https://www.phoenixcontact.com/us/products/2864134>

## Electrostatic discharge

Standards/regulations	EN 61000-4-2
-----------------------	--------------

## Electrostatic discharge

Comments	Safety measures must be taken to prevent electrostatic discharge.
----------	---

## Electromagnetic HF field

Designation	Electromagnetic RF field
Standards/regulations	EN 61000-4-3
Evaluation criterion	A

## Fast transients (burst)

Designation	Fast transients (burst)
Standards/regulations	EN 61000-4-4
Evaluation criterion	B

## Surge current load (surge)

Standards/regulations	EN 61000-4-5
-----------------------	--------------

## Surge current load (surge)

Comments	Criterion B
----------	-------------

## Conducted interference

Designation	Conducted interferences
Standards/regulations	EN 61000-4-6
Evaluation criterion	A

## Mounting

Mounting type	DIN rail mounting
Assembly note	The DIN rail connector can be used for bridging the supply voltage. It can be snapped onto a 35 mm EN 60715 DIN rail.
Mounting position	any

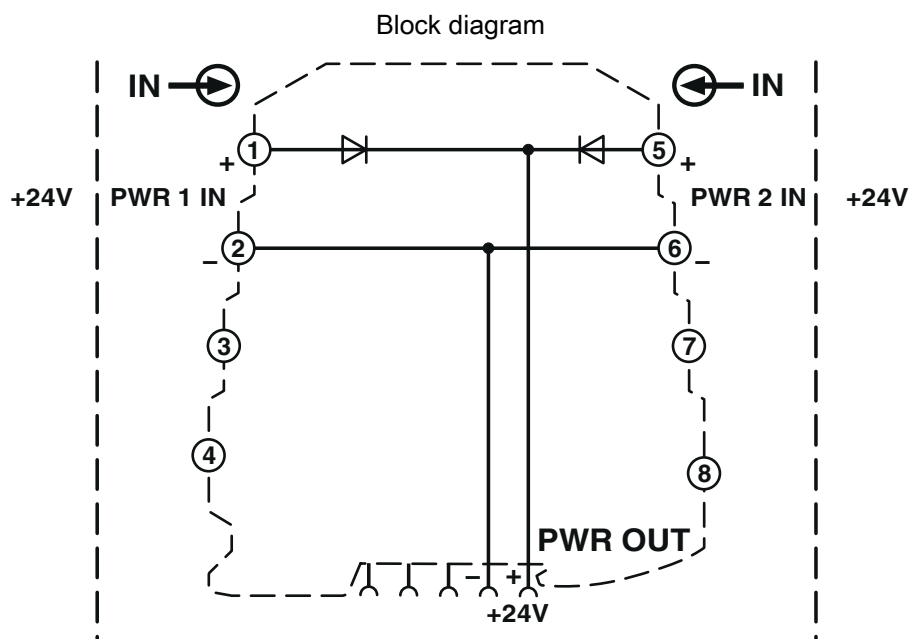
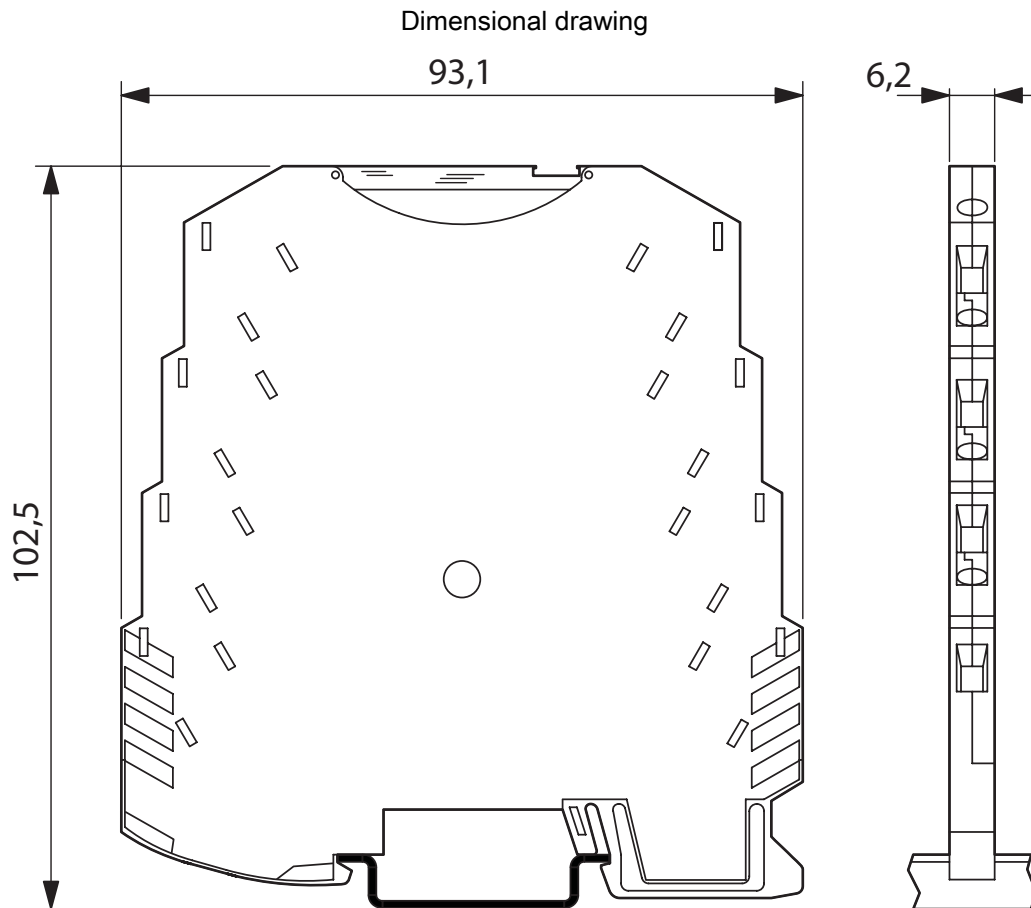
# MINI MCR-SL-PTB - Power terminal block



2864134

<https://www.phoenixcontact.com/us/products/2864134>

## Drawings



# MINI MCR-SL-PTB - Power terminal block



2864134

<https://www.phoenixcontact.com/us/products/2864134>

## Approvals

To download certificates, visit the product detail page: <https://www.phoenixcontact.com/us/products/2864134>



**cUL Recognized**  
Approval ID: FILE E 238705



**UL Recognized**  
Approval ID: FILE E 238705



**DNV GL**  
Approval ID: TAA00002R0

**DNV**

Approval ID: TAA000020N



**cUL Listed**  
Approval ID: FILE E 199827



**UL Listed**  
Approval ID: FILE E 199827

**cULus Recognized**

**cULus Listed**

# MINI MCR-SL-PTB - Power terminal block



2864134

<https://www.phoenixcontact.com/us/products/2864134>

## Classifications

### ECLASS

ECLASS-11.0	27371392
ECLASS-12.0	27371392
ECLASS-13.0	27371392

### ETIM

ETIM 9.0	EC002498
----------	----------

### UNSPSC

UNSPSC 21.0	39121100
-------------	----------

# MINI MCR-SL-PTB - Power terminal block



2864134

<https://www.phoenixcontact.com/us/products/2864134>

## Environmental product compliance

### EU RoHS

Fulfills EU RoHS substance requirements	Yes
Exemption	7(a), 7(c)-I

### China RoHS

Environment friendly use period (EFUP)	EFUP-50
	An article-related China RoHS declaration table can be found in the download area for the respective article under "Manufacturer declaration". For all articles with EFUP-E, no China RoHS declaration table issued and required.

### EU REACH SVHC

REACH candidate substance (CAS No.)	Lead(CAS: 7439-92-1)
SCIP	a28023f7-5b31-4e7f-897e-33e6066ac3ed



# MINI MCR-SL-PTB - Power terminal block



2864134

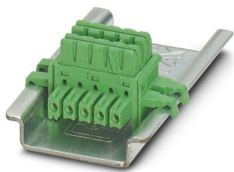
<https://www.phoenixcontact.com/us/products/2864134>

## Accessories

### ME 6,2 TBUS-2 1,5/5-ST-3,81 GN - DIN rail bus connectors

2869728

<https://www.phoenixcontact.com/us/products/2869728>



DIN rail connector for DIN rail mounting. Universal for TBUS housing. Gold-plated contacts, 5-pos.

---

### TC-D37SUB-AIO16-M-PS-UNI - Module carrier

2902934

<https://www.phoenixcontact.com/us/products/2902934>



Universal termination carrier for connecting 16 MINI Analog signal conditioners to digital or analog I/O cards, via D-SUB connector, 37-pos. (1:1 connection), with HART multiplexer connection

# MINI MCR-SL-PTB - Power terminal block

2864134

<https://www.phoenixcontact.com/us/products/2864134>



## TC-D37SUB-ADIO16-M-P-UNI - Module carrier

2902933

<https://www.phoenixcontact.com/us/products/2902933>



Universal termination carrier for connecting 16 MINI Analog signal conditioners to digital or analog I/O cards, via D-SUB connector, 37-pos. (1:1 connection)

---

## MINI MCR DKL - Transparent cover

2308111

<https://www.phoenixcontact.com/us/products/2308111>



Fold up transparent cover for MINI MCR modules with additional labeling option using insert strips and flat Zack marker strip 6.2 mm

# MINI MCR-SL-PTB - Power terminal block

2864134

<https://www.phoenixcontact.com/us/products/2864134>



## MINI MCR-DKL-LABEL - Marking label

2810272

<https://www.phoenixcontact.com/us/products/2810272>

Label for extended marking of MINI MCR modules in connection with the MINI MCR-DKL



---

Phoenix Contact 2024 © - all rights reserved

<https://www.phoenixcontact.com>

Phoenix Contact USA  
586 Fulling Mill Road  
Middletown, PA 17057, United States  
(+717) 944-1300  
[info@phoenixcon.com](mailto:info@phoenixcon.com)