

SACC-M12MSK-4PEPL-CL SH - Power connector



1080231

<https://www.phoenixcontact.com/us/products/1080231>

Please be informed that the data shown in this PDF document is generated from our online catalog. Please find the complete data in the user documentation. Our general terms of use for downloads are valid.



Power connector, Power, 5-position, shielded, Plug straight M12, coding: K, Push-lock spring connection, knurl material: Brass, nickel-plated, external cable diameter 8 mm ... 13 mm

Your advantages

- Time-saving Push-Lock connection: Tool-free connection and disconnection of conductors by opening the contact levers
- Intuitive connection: Easy assignment of individual litz wires with color-coded and numerical identification of the contact levers
- Integrated Push-in Technology: Wire rigid and pretreated conductors easily by means of simple, direct insertion
- Shock- and vibration-resistant connection: Proven spring-cage technology guarantees secure and reliable contacting
- Increased protection against electric shock: PE connection to all metal components
- Safely shielded: Reliable 360° shield connection even under extreme mechanical strain

Commercial data

Item number	1080231
Packing unit	1 pc
Minimum order quantity	1 pc
Sales key	BF33
Product key	BF2CFP
GTIN	4055626802985
Weight per piece (including packing)	74.6 g
Weight per piece (excluding packing)	74.6 g
Customs tariff number	85366990
Country of origin	DE

SACC-M12MSK-4PEPL-CL SH - Power connector



1080231

<https://www.phoenixcontact.com/us/products/1080231>

Technical data

Notes

General	NOTE: Observe the permissible bending radii when laying conductors, since the degree of protection may be put in jeopardy if the bending forces are too high. Alleviate mechanical loads upstream of the connector, e.g. by using cable ties.
---------	------------------------------------------------------------------------------------------------------------------------------------------------------------------------------------------------------------------------------------------------------

Mounting

Assembly instructions	The wires can be connected both with ferrules and without ferrules
Connection method	Push-lock spring connection

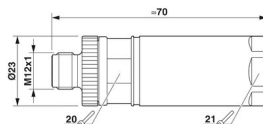
Product properties

Product type	Circular connector (cable-side)
Sensor type	Power
Number of positions	5
Application	Power supply
No. of cable outlets	1
Shielded	yes
Coding	K
Cable outlet	straight

Insulation characteristics

Overvoltage category	III
Degree of pollution	3

Dimensions

Dimensional drawing	
Length	70 mm

External dimensions

Outside diameter	8 mm ... 13 mm
------------------	----------------

Housing

Diameter housing	23 mm
------------------	-------

Material specifications

Flammability rating according to UL 94	V0
Material of grip body	Brass, nickel-plated
Contact surface material	Au
Material for screw connection	Brass, nickel-plated

SACC-M12MSK-4PEPL-CL SH - Power connector



1080231

<https://www.phoenixcontact.com/us/products/1080231>

Connection data

Conductor connection

Connection method	Push-lock spring connection
Connection cross section	1.5 mm ² ... 1.5 mm ²
	0.75 mm ² ... 2.5 mm ² (with ferrule)
	1.5 mm ² ... 1.5 mm ² (solid)
Connection cross section AWG	16 ... 16 (without ferrule)
	18 ... 14 (with ferrule)
Stripping length of the individual wire	10 mm
Tightening torque	0.6 Nm (M12 knurl)
	5 Nm (Pressure nut with connector housing)

Pin assignment

Contact Color (signal designation) Contact (optional)	1 = BK1
	2 = BK2
	3 = BK3
	4 = BK4
	PE = GNYE

Electrical properties

Rated surge voltage	6 kV
Nominal voltage U _N	690 V AC
Nominal current I _N	16 A (when using 2.5 mm ² conductors)
	16 A (at 40 °C)

Mechanical properties

Mechanical data

Insertion/withdrawal cycles	≥ 100
-----------------------------	-------

Connector

Connection 1

Head design	Plug
Head cable outlet	straight
Head thread type	M12
Coding	K

Cable/line

Signal type/category	Power
Stripping length of the individual wire	10 mm

Environmental and real-life conditions

Ambient conditions

SACC-M12MSK-4PEPL-CL SH - Power connector



1080231

<https://www.phoenixcontact.com/us/products/1080231>

Degree of protection	IP65
Ambient temperature (operation)	-40 °C ... 85 °C (Plug / socket)
Ambient temperature (assembly)	-5 °C ... 50 °C (Plug / socket)

Standards and regulations

Standard designation	M12 connector
Standards/specifications	based on IEC 61076-2-111

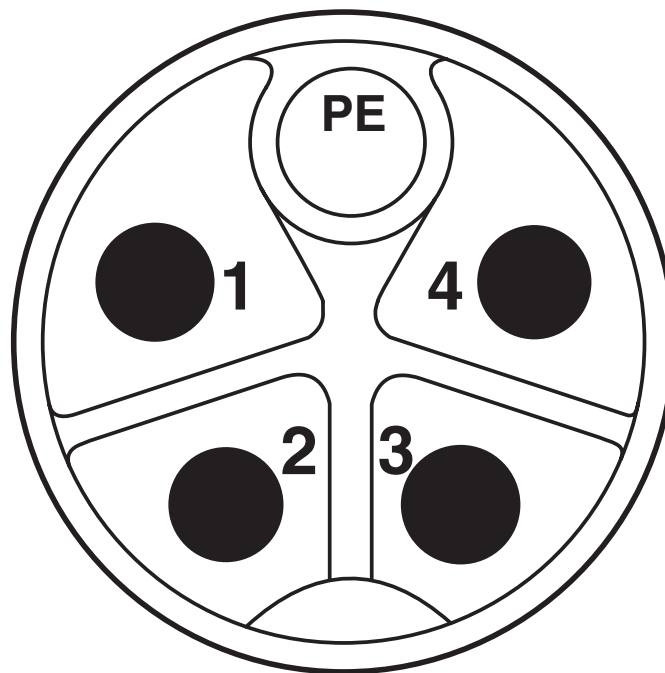
SACC-M12MSK-4PEPL-CL SH - Power connector

1080231

<https://www.phoenixcontact.com/us/products/1080231>

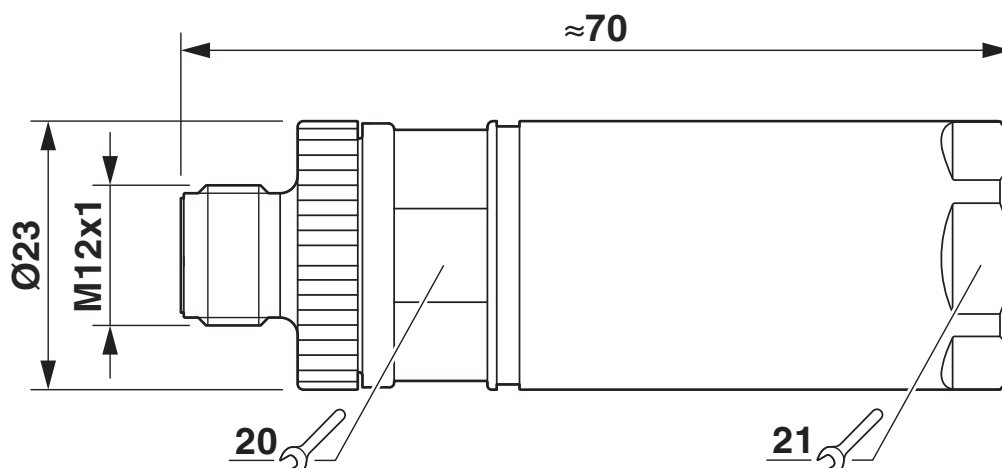
Drawings

Schematic diagram



Pin assignment of M12 male connector, 4-pos.+PE, K-coded, view of pin side

Dimensional drawing



Plug, M12 x 1, straight, shielded

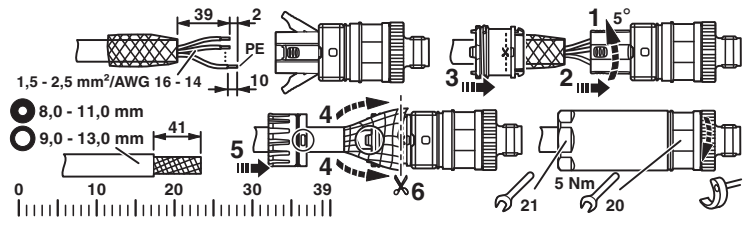
SACC-M12MSK-4PEPL-CL SH - Power connector



1080231

<https://www.phoenixcontact.com/us/products/1080231>

Functional drawing



SACC-M12MSK-4PEPL-CL SH - Power connector



1080231

<https://www.phoenixcontact.com/us/products/1080231>

Approvals

To download certificates, visit the product detail page: <https://www.phoenixcontact.com/us/products/1080231>



EAC

Approval ID: RU C-DE.BL08.B.00511

SACC-M12MSK-4PEPL-CL SH - Power connector



1080231

<https://www.phoenixcontact.com/us/products/1080231>

Classifications

ECLASS

ECLASS-11.0	27440102
ECLASS-12.0	27440116
ECLASS-13.0	27440116

ETIM

ETIM 9.0	EC002635
----------	----------

UNSPSC

UNSPSC 21.0	39121400
-------------	----------

SACC-M12MSK-4PEPL-CL SH - Power connector



1080231

<https://www.phoenixcontact.com/us/products/1080231>

Environmental product compliance

China RoHS	Environmentally friendly use period: unlimited = EFUP-e
	No hazardous substances above threshold values

SACC-M12MSK-4PEPL-CL SH - Power connector



1080231

<https://www.phoenixcontact.com/us/products/1080231>

Accessories

AI 2,5 -10 BU - Ferrule

3202533

<https://www.phoenixcontact.com/us/products/3202533>



Ferrule, sleeve length: 10 mm, color: blue

AI 1,5 -10 BK - Ferrule

3200195

<https://www.phoenixcontact.com/us/products/3200195>



Ferrule, sleeve length: 10 mm, color: black

SACC-M12MSK-4PEPL-CL SH - Power connector



1080231

<https://www.phoenixcontact.com/us/products/1080231>

TSD-M 1,2NM - Torque screwdriver

1212224

<https://www.phoenixcontact.com/us/products/1212224>



Torque screw driver, accuracy as per EN ISO 6789 standard, adjustable from 0.3 - 1.2 Nm

TSD-M SAC-BIT ADAPTER - Adapter insert

1212600

<https://www.phoenixcontact.com/us/products/1212600>



Adapter bit for TSD-M...torque tools, E6.3-1/4" drive with 4 mm hexagon to accommodate SAC bits

SACC-M12MSK-4PEPL-CL SH - Power connector



1080231

<https://www.phoenixcontact.com/us/products/1080231>

SACC BIT M12-D23 - Tool

1202885

<https://www.phoenixcontact.com/us/products/1202885>

Nut for assembling M12 connectors for assembly with a knurl diameter of 23 mm, for 4 mm hexagonal drive



WIREFOX 2,5 - Stripping tool

1212368

<https://www.phoenixcontact.com/us/products/1212368>

Stripping tool, for conductors and cables with a conductor cross section from 0.08 to 2.5 mm², self-adjusting, stripping length adjustable up to 15 mm, cutting capacity up to 6 mm² stranded/1.5 mm² solid



SACC-M12MSK-4PEPL-CL SH - Power connector



1080231

<https://www.phoenixcontact.com/us/products/1080231>

WIREFOX SAC - Stripping tool

1212623

<https://www.phoenixcontact.com/us/products/1212623>



Stripping pliers, for halogen-free sensor/actuator cables (SAC cables), with PUR and PVC insulation, from \varnothing of 4.4 to 7 mm, any stripping length

CRIMPFOX VARIO 4S - Crimping pliers

1108766

<https://www.phoenixcontact.com/us/products/1108766>



Crimping pliers, contact connection type: Insulated and uninsulated ferrules, min. cross section: 0.25 mm^2 , max. cross section: 4 mm^2 , compression: Square crimp, black/green

SACC-M12MSK-4PEPL-CL SH - Power connector



1080231

<https://www.phoenixcontact.com/us/products/1080231>

CRIMPFOX CENTRUS 10S - Crimping pliers

1213154

<https://www.phoenixcontact.com/us/products/1213154>



Crimping pliers, for uninsulated and insulated ferrules, DIN 46228 Part 1 and 4, from 0.14 mm² ... 10 mm², also for TWIN ferrules up to 2 x 4 mm², automatic cross section adjustment, lateral insertion, equipped with fall protection

Phoenix Contact 2023 © - all rights reserved

<https://www.phoenixcontact.com>

Phoenix Contact USA
586 Fulling Mill Road
Middletown, PA 17057, United States
(+717) 944-1300
info@phoenixcon.com